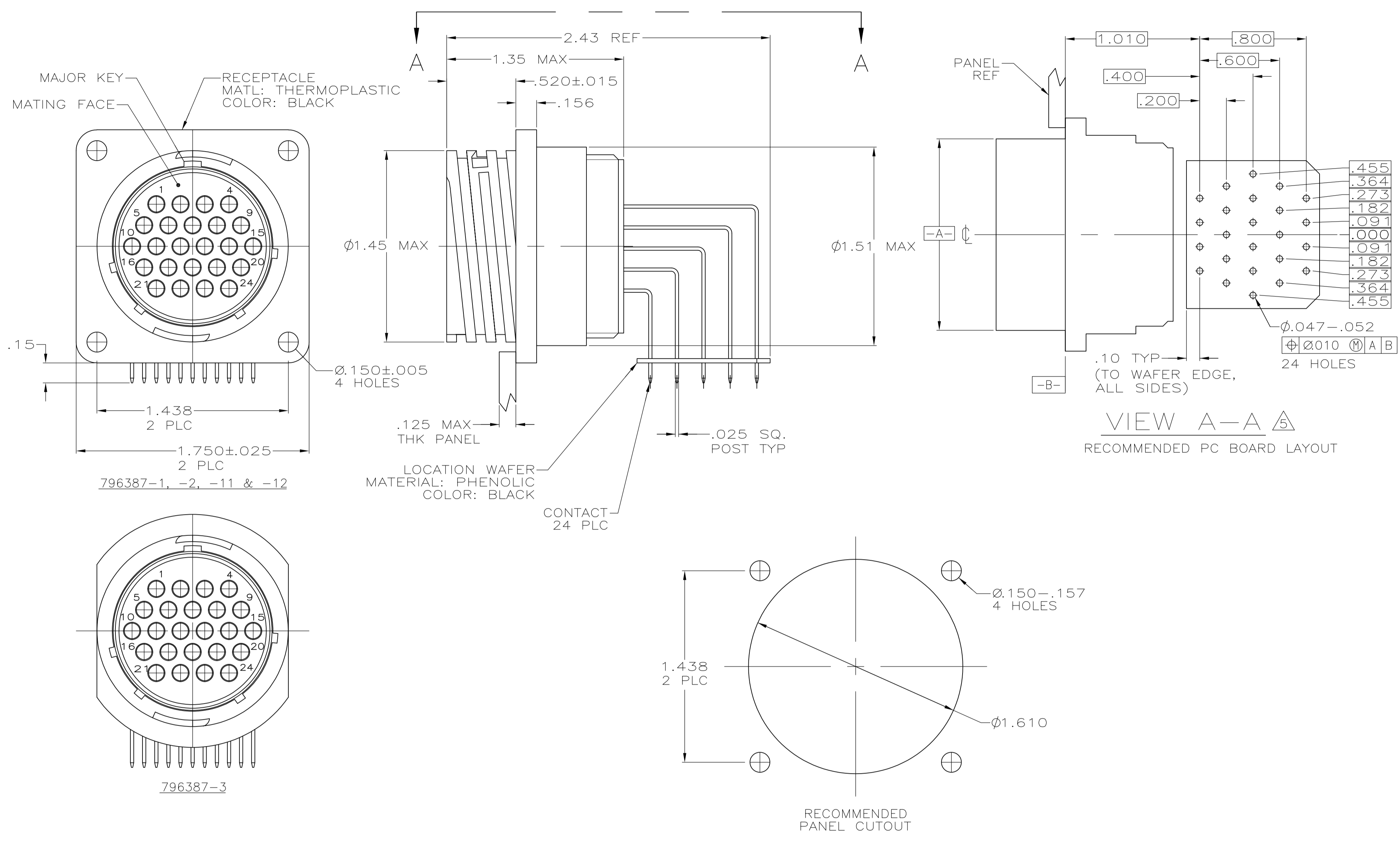


REVISIONS				
P	LTR	DESCRIPTION	DATE	APP'D
C1		REVISED PER ECO-16-004800	08SEP2016	NK MZ



- 1 CONTACT CAVITIES IDENTIFIED BY CHARACTERS ON FRONT AND REAR FACES OF CONNECTOR.
- 2 #6 FASTENER RECOMMENDED FOR MOUNTING.
- △ CONTACT BODY: .000100 MIN TIN-LEAD OVER .000050 MIN NICKEL.  
CONTACT POST: .000100 MIN TIN-LEAD OVER .000100 MIN COPPER.
- △ CONTACT BODY: .000030 MIN GOLD FOR A LENGTH OF .250 MIN FROM MATING END, WITH REMAINDER TO BE GOLD FLASH, BOTH OVER .000050 MIN NICKEL.  
CONTACT POST: .000100 MIN TIN-LEAD OVER .000100 MIN COPPER.
- △ PC BOARD HOLE PATTERN IS DEFINED RELATIVE TO CONNECTOR C.L.
- △ FREE HANGING RECEPTACLE.
- △ CONTACT BODY: .000100 MIN TIN OVER .000050 MIN NICKEL.  
CONTACT POST: .000100 MIN TIN OVER .000100 MIN COPPER.
- △ CONTACT BODY: .000030 MIN GOLD FOR A LENGTH OF .250 MIN FROM MATING END, WITH REMAINDER TO BE GOLD FLASH, BOTH OVER .000050 MIN NICKEL.  
CONTACT POST: .000100 MIN TIN OVER .000100 MIN COPPER.

NOTES	CONTACT FINISH	PART NUMBER
	△	1-796387-2
	△	1-796387-1
OBSOLETE	△	-796387-3
	△	796387-2
OBSOLETE	△	-796387-1

THIS DRAWING IS A CONTROLLED DOCUMENT.

DIMENSIONS: INCHES	TOLERANCES UNLESS OTHERWISE SPECIFIED:	DIN 4-2-00	NAME
0 PLC ± -	1 PLC ± -	4-4-00	RECEPTACLE ASSY, POSTED, RT ANGLE, STD SEX, SIZE 23-24, SERIES 1, CPC
2 PLC ± .03	3 PLC ± .010		SIZE: A1
4 PLC ± -	ANGLES ± -		SCALE: 2:1
MATERIAL	FINISH	WEIGHT	SHEET 1 OF 1
			REV C1

CUSTOMER DRAWING

单击下面可查看定价，库存，交付和生命周期等信息

[>>TE Connectivity\(泰科\)](#)