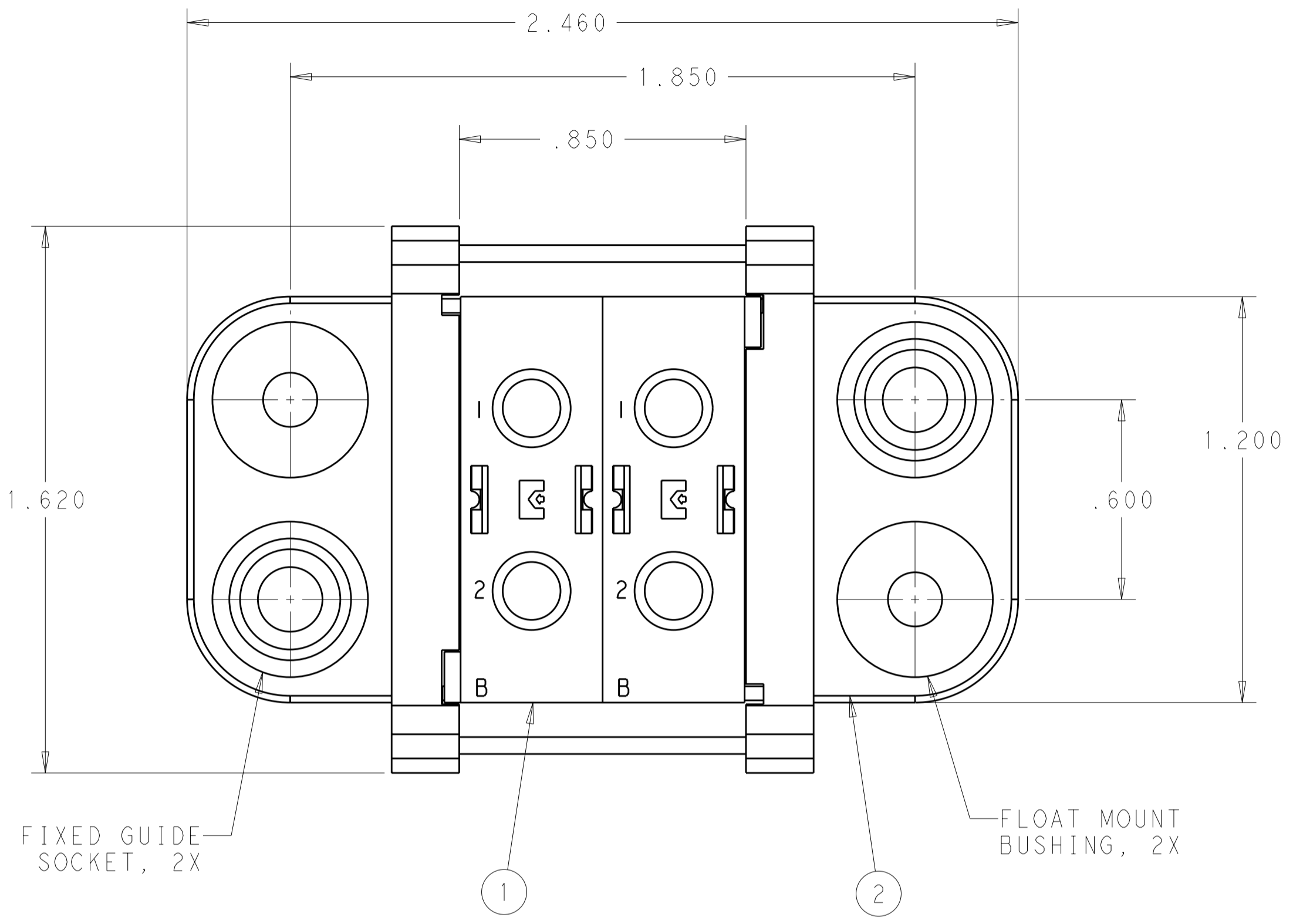


THIS DRAWING IS UNPUBLISHED. RELEASED FOR PUBLICATION 20
 © COPYRIGHT 20 TE ALL RIGHTS RESERVED.

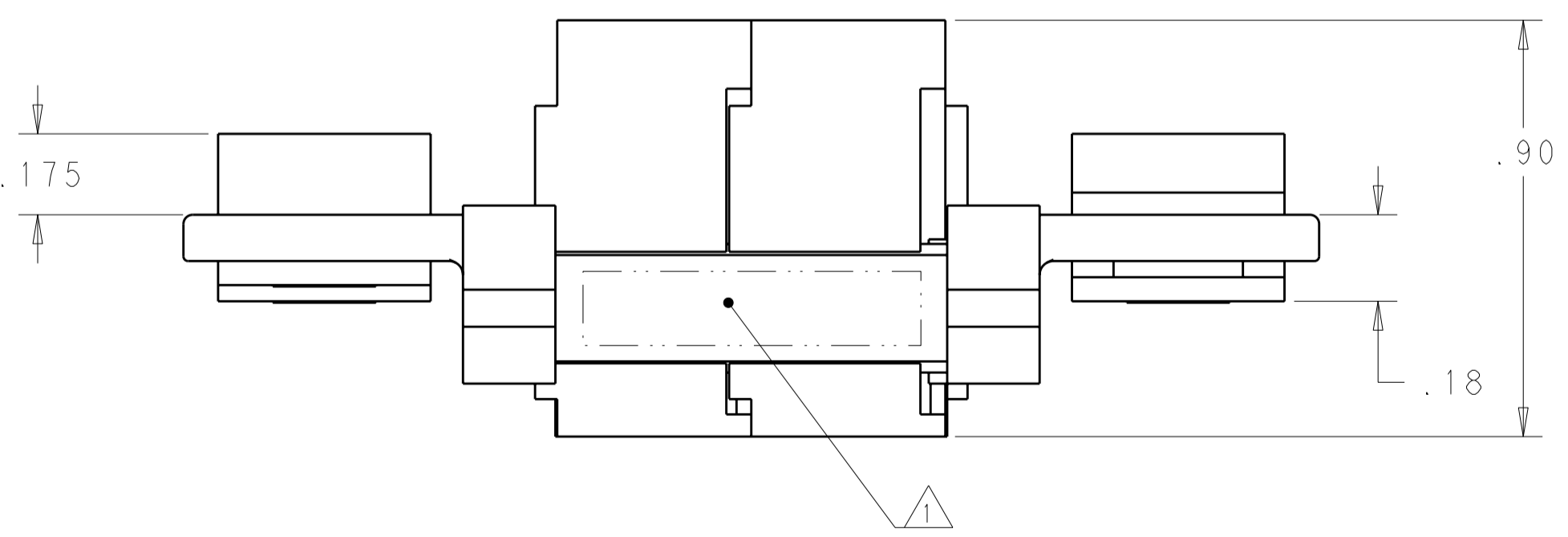
LOC	DIST	REVISIONS					
GP	00	P	LTR	DESCRIPTION	DATE	DWN	APVD
		B		REV PER ECO-11-020009	04OCT2011	RG	DO



△ ITEMS PROVIDED TO THIS SPECIFICATION TO BE PERMANENTLY IDENTIFIED PER THE FOLLOWING IDENTIFIER:

YEAR 1 WEEK 1
 TE PART NUMBER: XXXXXXXX-X
 DATE CODE (e.g. 0212): XXXX

- △ MODULES NOTED ARE CRIMP REMOVABLE STYLE CONTACT. CONTACTS ARE PACKAGED AND SHIPPED LOOSE PIECE.
- △ MOUNTING FLANGE BUSHING ACCEPTS 6/32 SCREW (Ø .156 CLEARANCE HOLE, FLOAT MOUNT) OR 8/32 SCREW (Ø .173 CLEARANCE HOLE, FIXED MOUNT) USER SUPPLIED



QTY	PART NUMBER	DESCRIPTION	ITEM
4	6648317-1	SOCKET CONTACT, SIZE No.8	3
2	6648252-1	GUIDE SOCKET, FLOAT MOUNT	2
2	1648467-1	B MODULE, No.8	1
-2			

THIS DRAWING IS A CONTROLLED DOCUMENT.		DWN R.GRZYBOWSKI 04OCT2011	STE TE Connectivity	
DIMENSIONS: INCHES		CHK S.FLICKINGER 04OCT2011		
TOLERANCES UNLESS OTHERWISE SPECIFIED:		APVD F.LICKINGER/ORRIS 04OCT2011	NAME: SOCKET CONNECTOR DOMINO W/ PANEL CUT-OUT	
0 PLC ±-		PRODUCT SPEC	SIZE: A2 CAGE CODE: 6646040 DRAWING NO: 6646040	
1 PLC ±.032		APPLICATION SPEC	RESTRICTED TO: -	
2 PLC ±.016		WEIGHT: -	SCALE: 3:1 SHEET 1 OF 2 REV B	
3 PLC ±.016				
4 PLC ±-				
ANGLES ±-				
FINISH				
MATERIAL: -		CUSTOMER DRAWING		

4

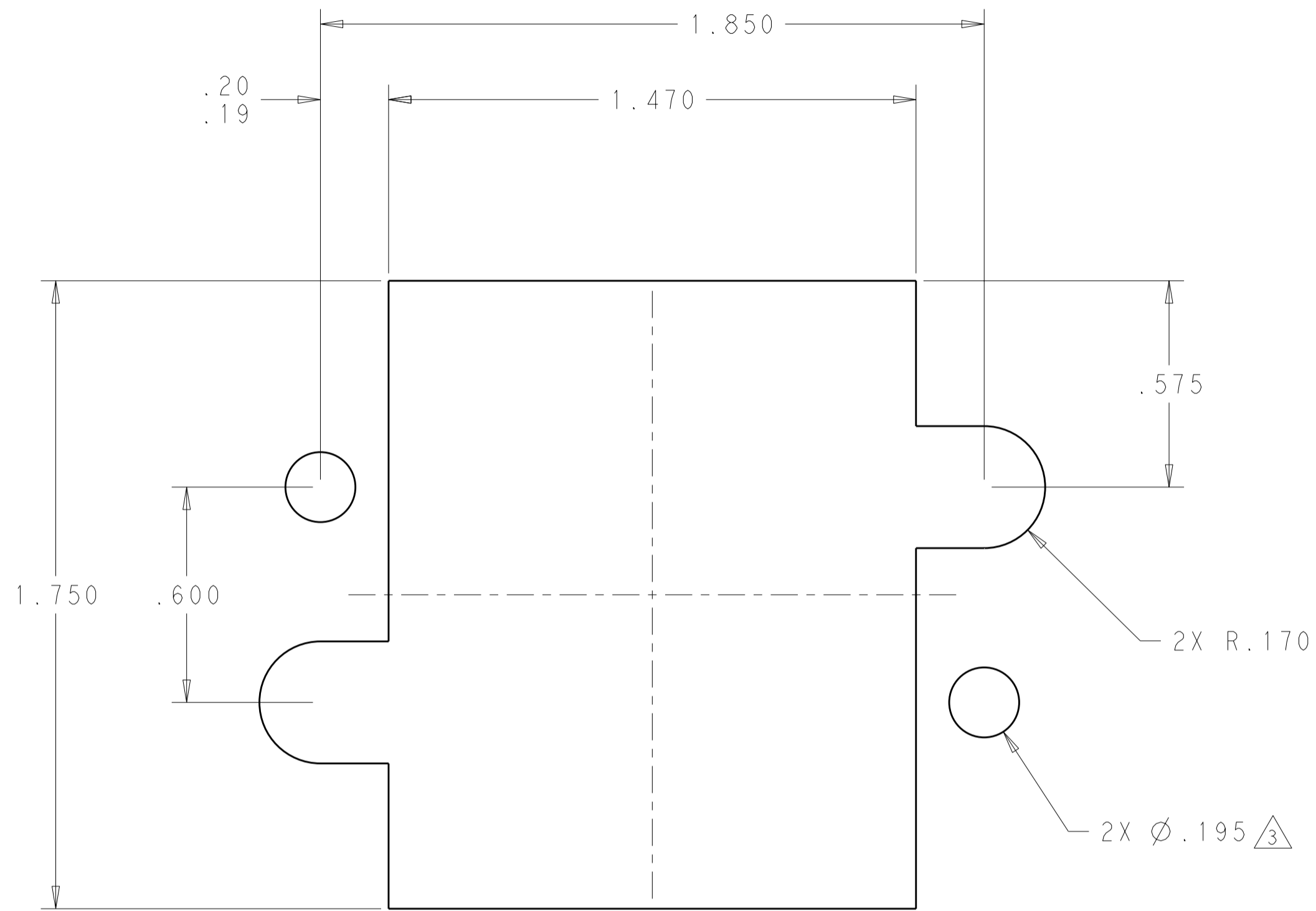
3

2

1

THIS DRAWING IS UNPUBLISHED. RELEASED FOR PUBLICATION 20
 © COPYRIGHT 20 TE ALL RIGHTS RESERVED.

LOC	DIST	REVISIONS			
P	LTR	DESCRIPTION	DATE	DWN	APVD
GP	00	-	SEE SHEET 1	-	-



SOCKET PANEL MOUNT CUT-OUT

THIS DRAWING IS A CONTROLLED DOCUMENT.		DWN R. GRZYBOWSKI	04OCT2011		 TE Connectivity
DIMENSIONS: INCHES		CHK S. FLICKINGER	04OCT2011		
TOLERANCES UNLESS OTHERWISE SPECIFIED:		APVD FLICKINGER/ORRIS	04OCT2011		
0 PLC ± 1 PLC ± 2 PLC ±.032 3 PLC ±.016 4 PLC ± ANGLES ± FINISH		PRODUCT SPEC -	APPLICATION SPEC -	WEIGHT -	
MATERIAL -		CUSTOMER DRAWING		SCALE 3:1	RESTRICTED TO -
NAME SOCKET CONNECTOR DOMINO W/ PANEL CUT-OUT			SIZE A200779	DRAWING NO. 6646040	SHEET 2 OF 2
REV B			REV B		

单击下面可查看定价，库存，交付和生命周期等信息

[>>TE Connectivity\(泰科\)](#)