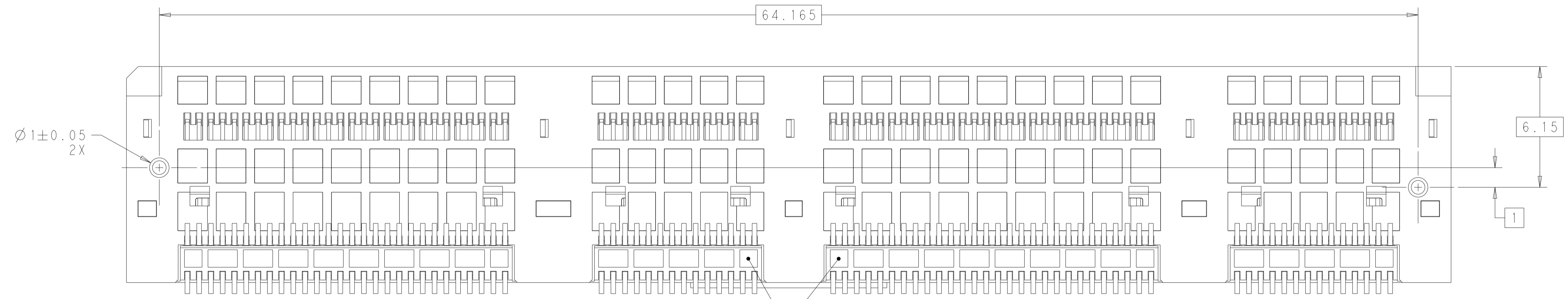
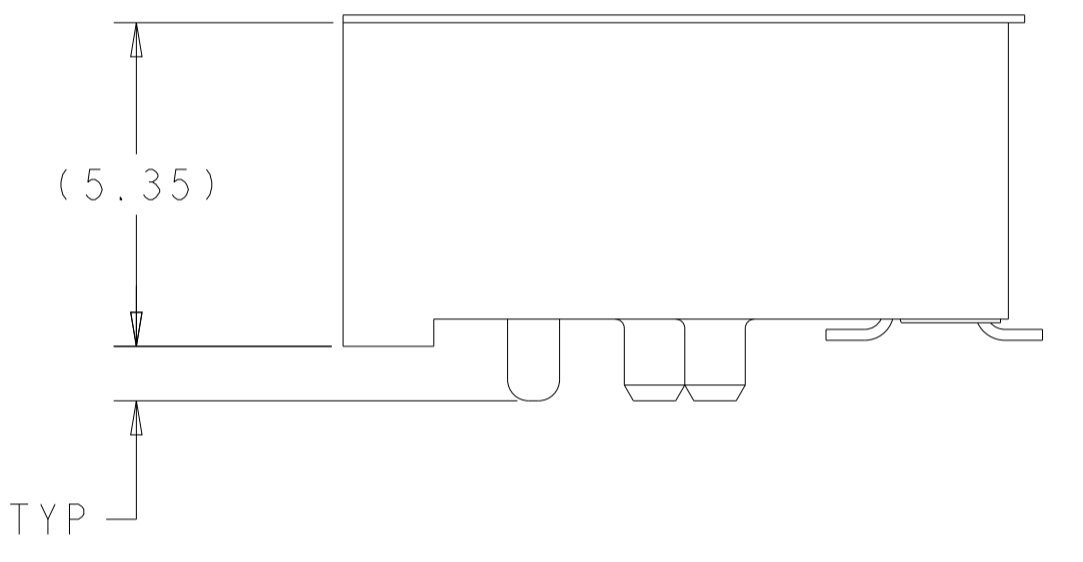
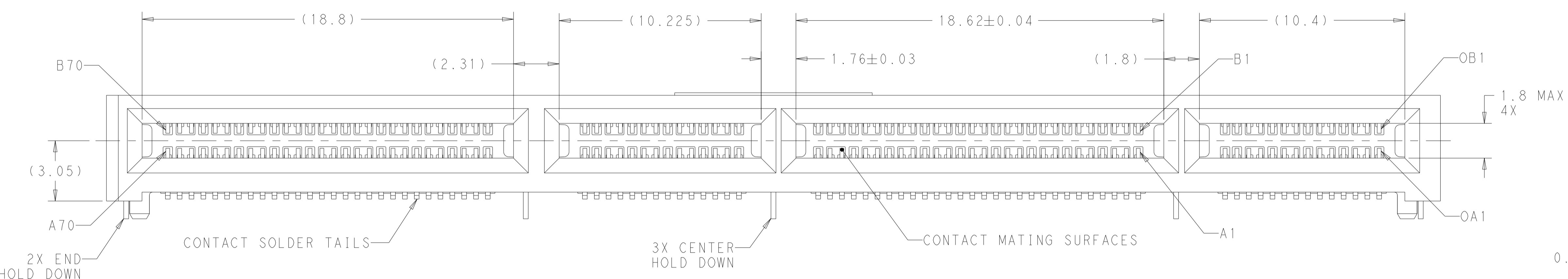
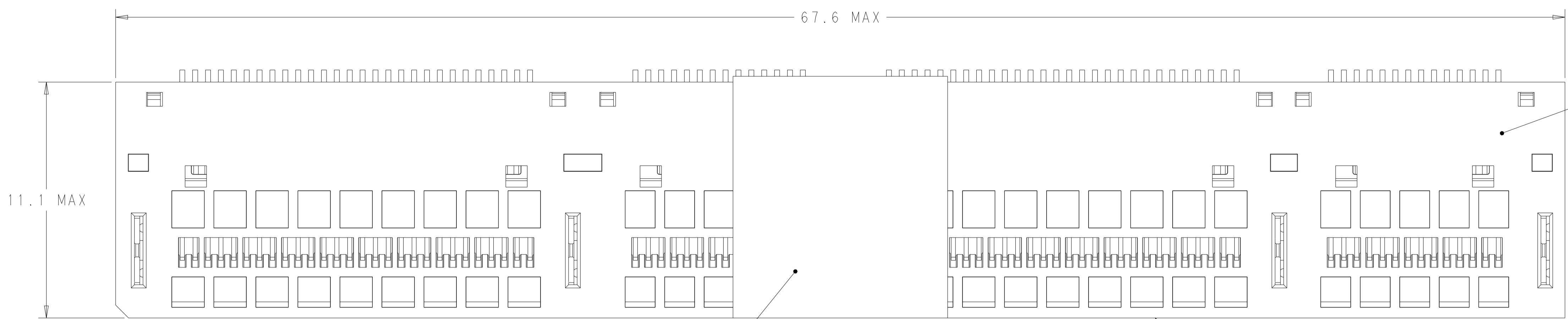


REVISIONS				
P	LTN	DESCRIPTION	DATE	APVD
A		REVISED PER ECO-19-011916	06AUG2019	AP JW
B		REVISED PER ECN-21-116535	07SEP2021	TX DZ



- 1 HOUSING, ORGANIZER, CONTACT OVERMOLDS - LCP, BLACK, UL94V-0 RATED. CONTACTS AND HOLD DOWNS - COPPER ALLOY. PICK AND PLACE TAPE - POLYIMIDE FILM.
- 2 CONTACTS - GOLD PLATE ON MATING SURFACES, TIN PLATE ON SOLDER TAILS. HOLD DOWNS - TIN PLATE.
- 3 DATUMS AND BASIC DIMENSIONS ESTABLISHED BY CUSTOMER.
- 4. DESIGNED FOR A 1.5 MIN THICK HOST PC BOARD.
- 5 SEE MSA SPECIFICATION FOR ADDITIONAL PADDLE CARD LAYOUTS COMPATIBLE WITH THIS RECEPTACLE AND FOR OPTIONAL SPLIT CONTACT PAD LAYOUTS FOR THE PADDLE CARD. SPECIFICATION PINOUT MAY ALSO DESIGNATE PAD SEQUENCE DIFFERENT FROM ILLUSTRATION.

- 6 POSITIONS DESIGNATED AS "SIGNAL" ARE REQUIRED LOCATIONS FOR HIGH SPEED DIFFERENTIAL PAIR SIGNALING. THESE LOCATIONS MAY ALSO BE USED FOR SUPPORTING SIDEBAND SIGNALS OR OTHER UTILITY PURPOSES. POSITIONS DESIGNATED AS "GROUND" ARE REQUIRED WHEN SUPPORTING HIGH SPEED DIFFERENTIAL SIGNALS. THESE LOCATIONS MAY ALSO BE USED FOR SIDEBAND SIGNALS OR OTHER UTILITY PURPOSES.
- 7 COMPONENT AND TRACE KEEP OUT AREA. EACH EDGE 0.15 MIN FROM EDGE OF HOLE.
- 8 DATE CODE MARKED IN APPROXIMATE AREA SHOWN.
- 9 HARD TRAY PACKAGED FOR PICK AND PLACE SURFACE MOUNT PROCESSING, SEE FIGURE 1.
- 10 TAPE AND REEL PACKAGED FOR PICK AND PLACE SURFACE MOUNT PROCESSING, SEE FIGURE 2. POCKET TAPE WIDTH = 88.

PACKAGING	PLATING	PICK AND PLACE TAPE	HOLD DOWNS	MATING CYCLES	PART NUMBER
HARD TRAY	0.76 μm Au	YES	ALL	200	1-2336568-0
POCKET TAPE	0.76 μm Au			200	2336568-9
HARD TRAY	0.38 μm Au	NO	ALL	100	2336568-8
HARD TRAY	FLASH Au/Pd Ni			50	2336568-7
HARD TRAY	0.76 μm Au			200	2336568-6
HARD TRAY	0.38 μm Au	YES	ENDS	100	2336568-5
HARD TRAY	FLASH Au/Pd Ni			50	2336568-4
HARD TRAY	0.76 μm Au			200	2336568-3
HARD TRAY	0.38 μm Au	YES	ALL	100	2336568-2
HARD TRAY	FLASH Au/Pd Ni			50	2336568-1

THIS DRAWING IS A CONTROLLED DOCUMENT. OWN: C. VALENTINE 10MAY2018. CHK: D. HARMON 10MAY2018. APVD: D. HARMON 10MAY2018.

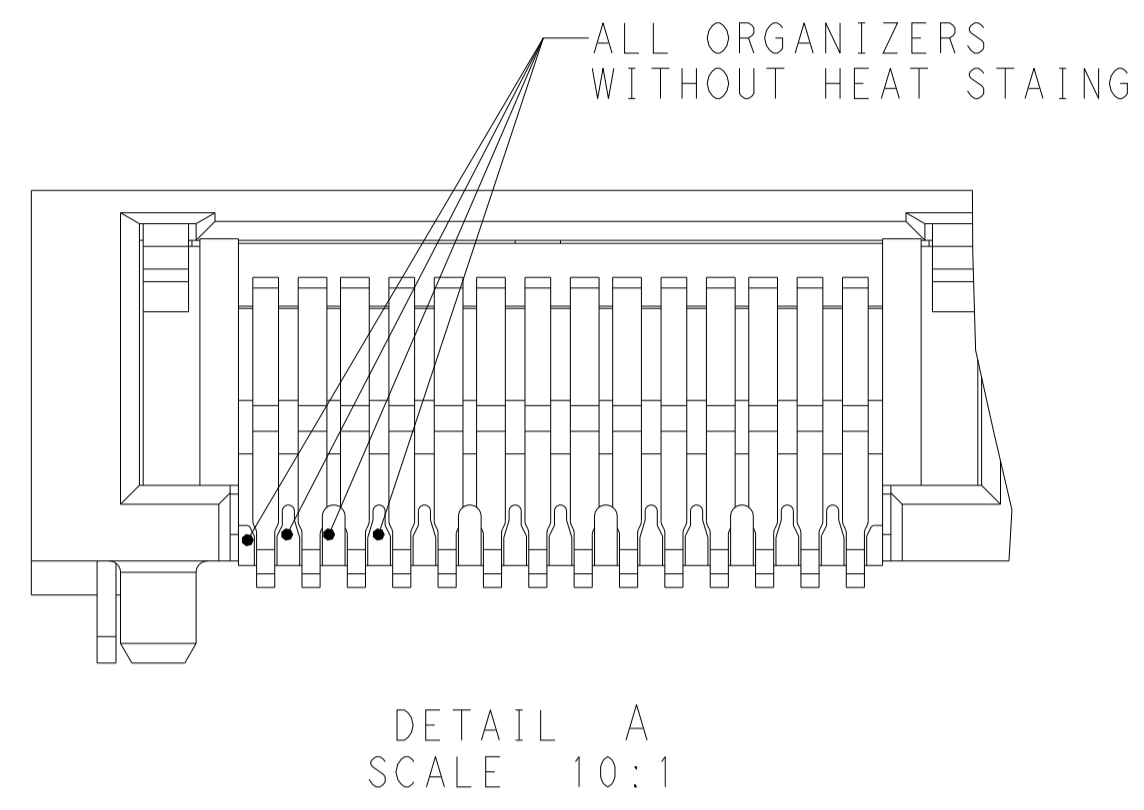
TE TE Connectivity

NAME: RECEPTACLE ASSEMBLY, RIGHT ANGLE, 168 POSITON, SILVER 2.0

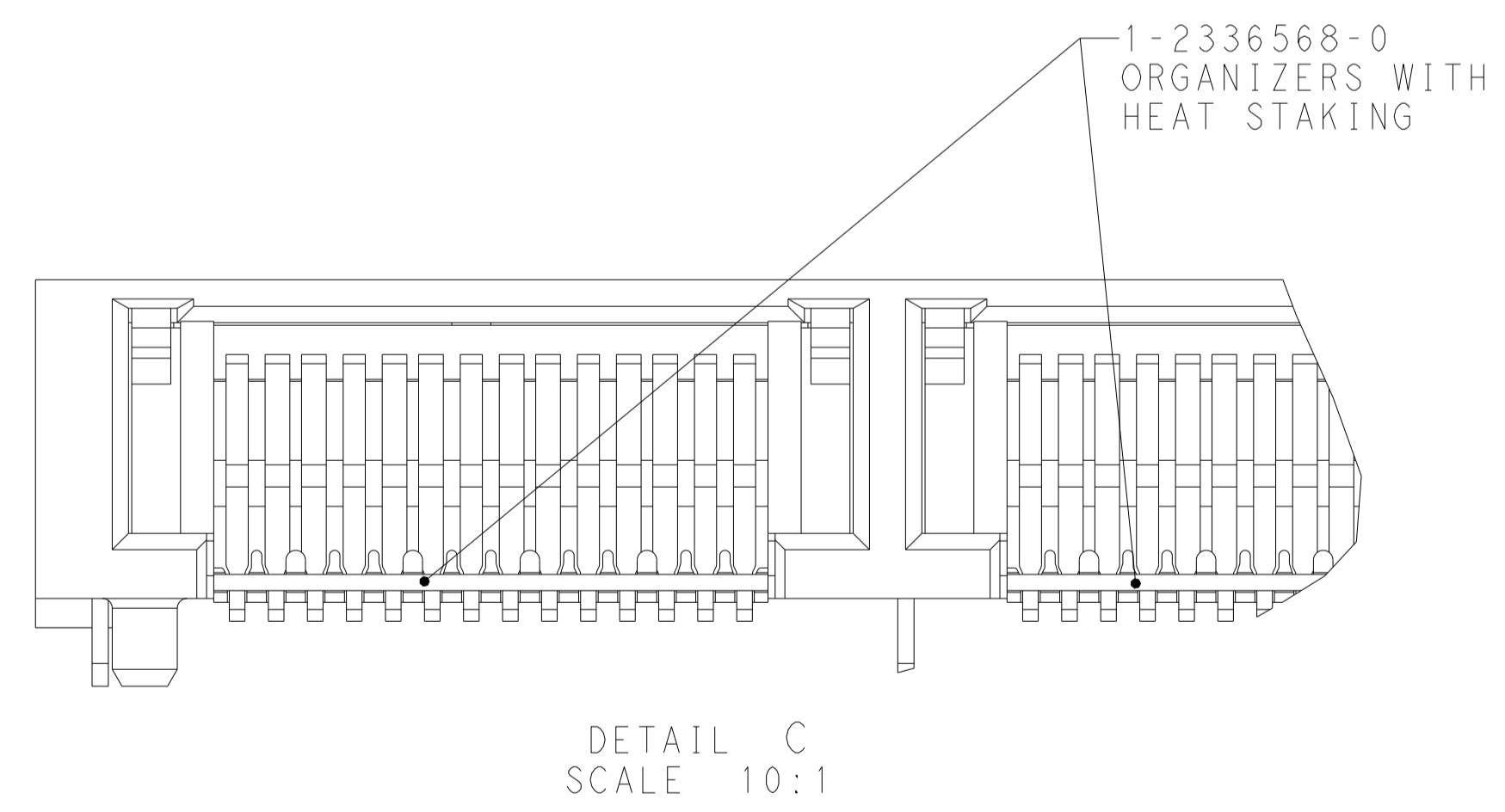
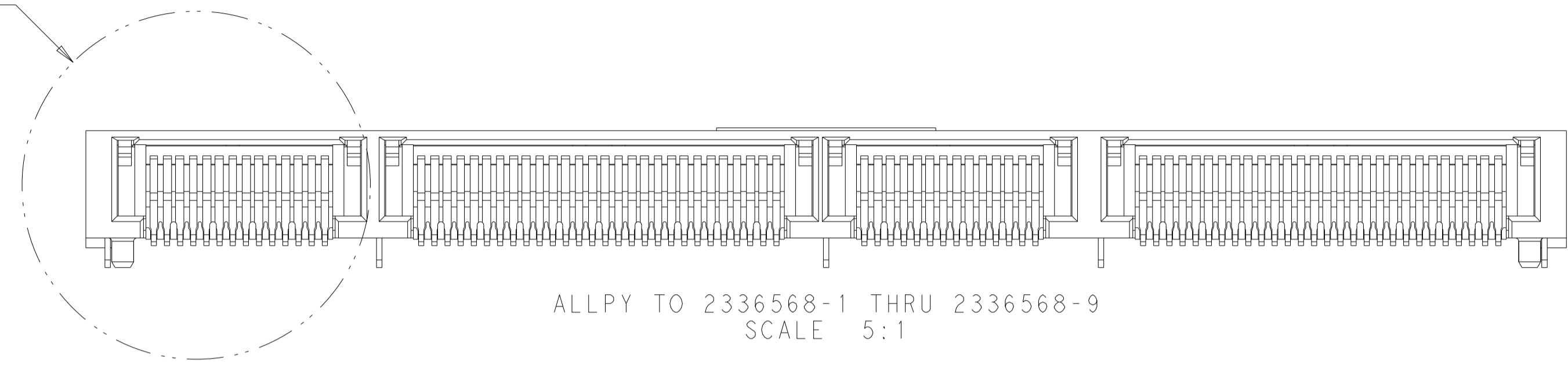
SIZE: A1. CAGE CODE: - DRAWING NO: 114-130008. SCALE: 8:1. SHEET 1 OF 5. REV B.

THIS DRAWING IS UNPUBLISHED. RELEASED FOR PUBLICATION 20
 © COPYRIGHT 20 BY - ALL RIGHTS RESERVED.

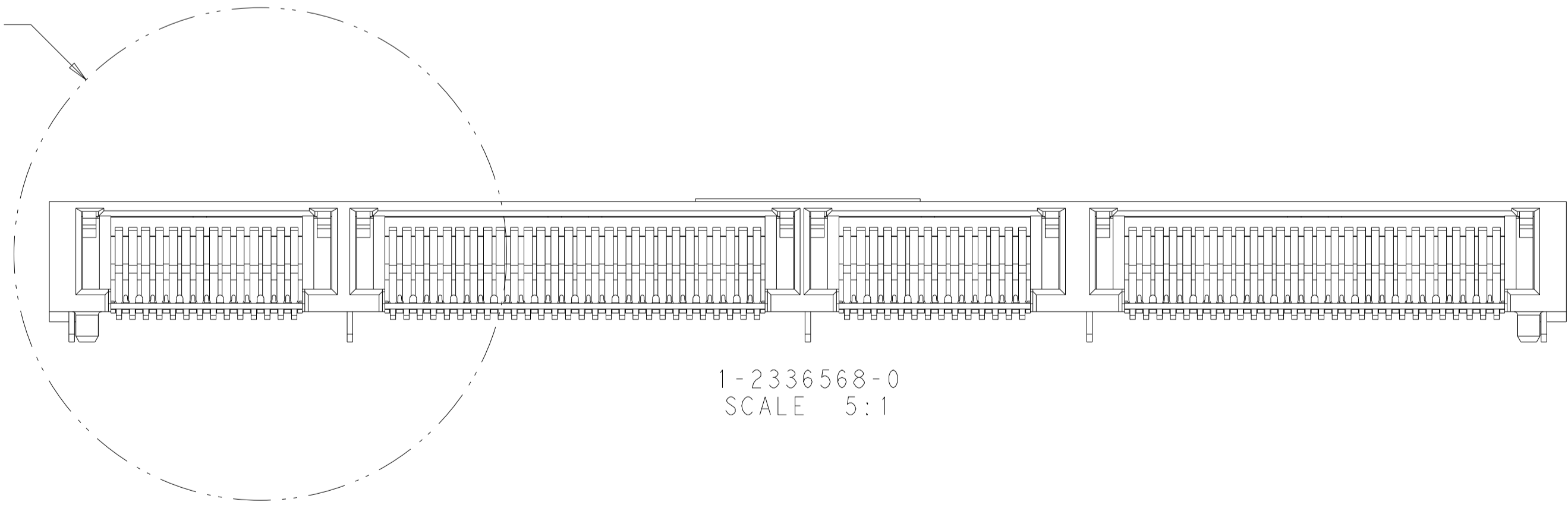
REVISIONS				
P	LTN	DESCRIPTION	DATE	APVD
-		SEE SHEET 1	-	-



SEE DETAIL A

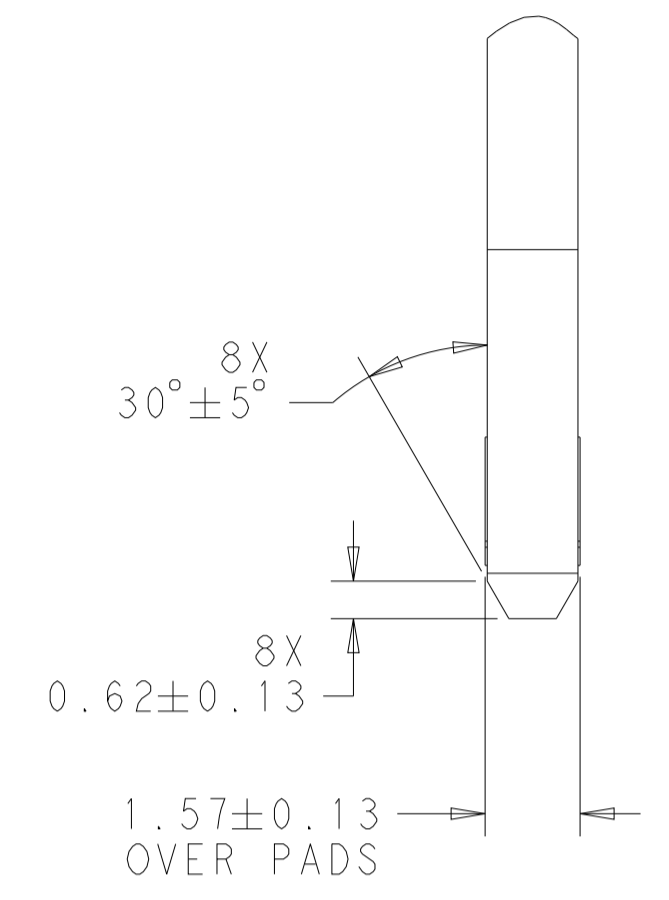
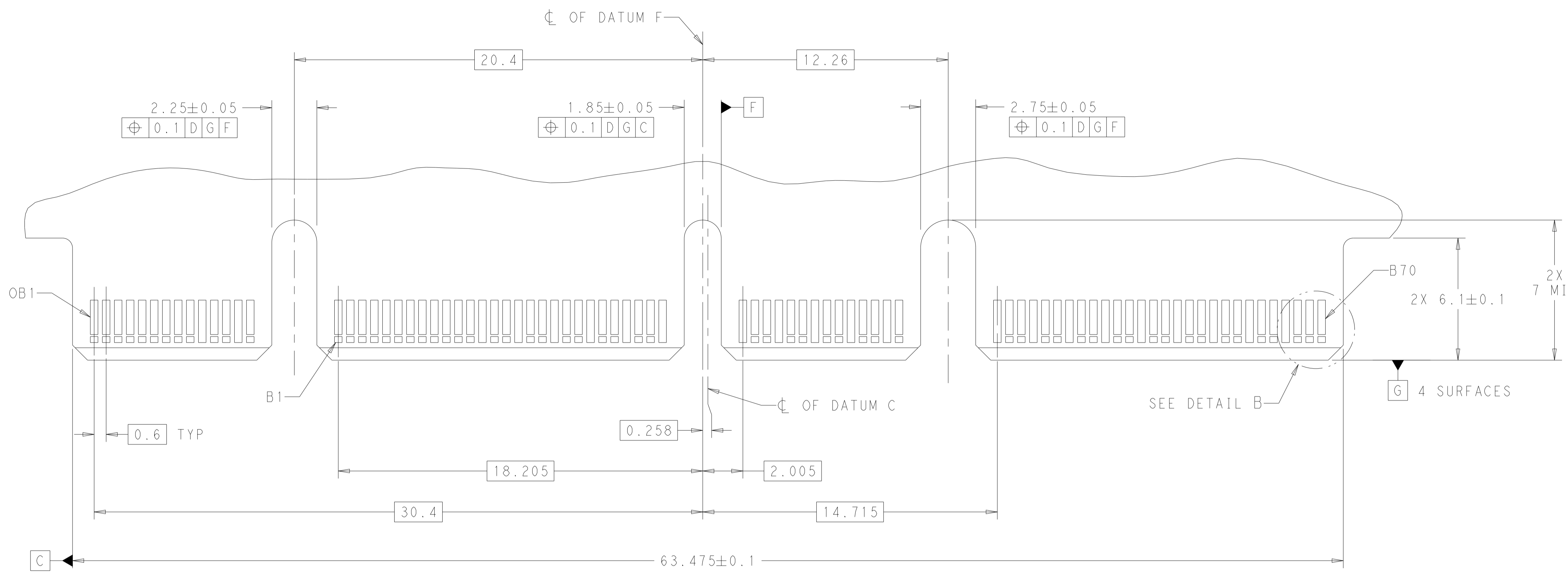


SEE DETAIL C

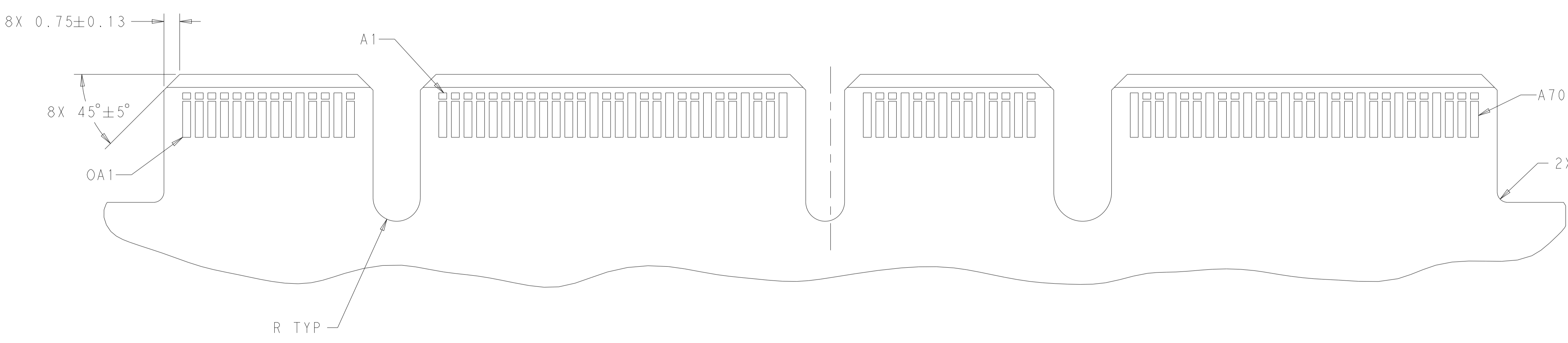
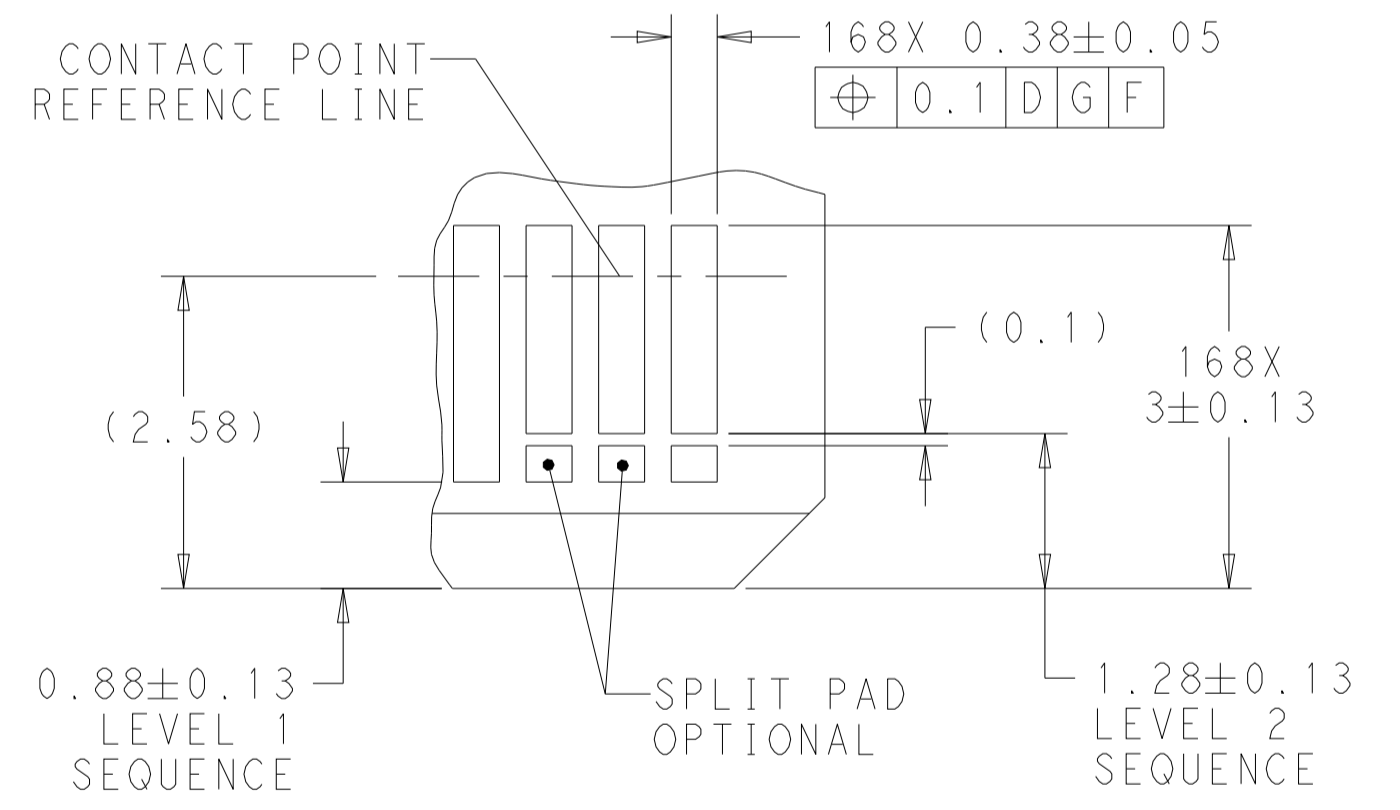
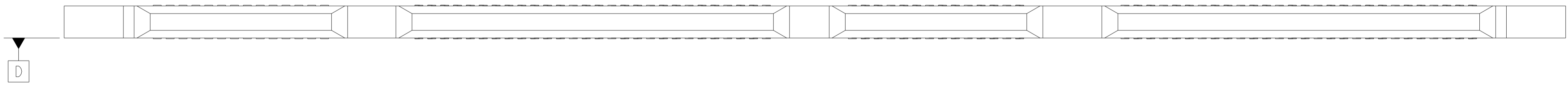


THIS DRAWING IS A CONTROLLED DOCUMENT.		OWN C. VALENTINE 10MAY2018	
DIMENSIONS:		CHK D. HARMON 10MAY2018	
mm	0 PLC ± 1 PLC ± 2 PLC ± 3 PLC ± 4 PLC ± ANGLES ±	APVD D. HARMON 10MAY2018	NAME RECEPTACLE ASSEMBLY, RIGHT ANGLE, 168 POSITON, SILVER 2.0
TOLERANCES UNLESS OTHERWISE SPECIFIED:		PRODUCT SPEC 108-130021	RESTRICTED TO
MATERIAL		APPLICATION SPEC 114-130008	SIZE A1
FINISH		WEIGHT -	CAGE CODE 2336568
		CUSTOMER DRAWING	SCALE 8:1 SHEET 2 OF 5 REV B

REVISIONS				
P	LTN	DESCRIPTION	DATE	APVD
-	-	SEE SHEET 1	-	-



RECOMMENDED PCB OUTLINE DIMENSIONS
 TOLERANCE VALUES ARE CRITICAL. PLEASE BE SURE TO DESIGNATE
 TOLERANCE TO PCB SUPPLIER TO ENSURE OPTIMIZED FUNCTIONALITY.



THIS DRAWING IS A CONTROLLED DOCUMENT.		OWN: C. VALENTINE 10MAY2018	TE Connectivity
DIMENSIONS: mm		CHK: D. HARMON 10MAY2018	
TOLERANCES UNLESS OTHERWISE SPECIFIED:		APVD: D. HARMON 10MAY2018	NAME: RECEPTACLE ASSEMBLY, RIGHT ANGLE, 168 POSITON, SILVER 2.0 PRODUCT SPEC: 108-130021 APPLICATION SPEC: 114-130008
0 PLC ± 1 PLC ± 2 PLC ± 3 PLC ± 4 PLC ± ANGLES ± MATERIAL FINISH ±		SIZE: A1 CAGE CODE: - DRAWING NO: C=2336568 WEIGHT: - CUSTOMER DRAWING	
SCALE: 10:1		SHEET: 4	OF: 5
REV: B			

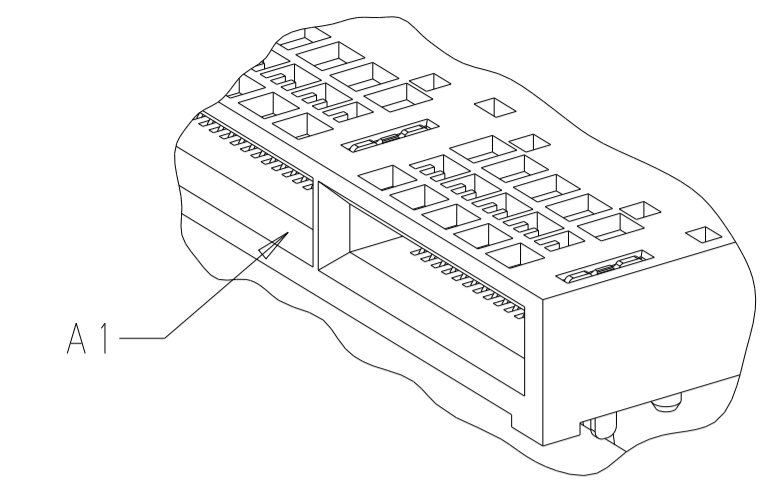
REVISIONS				
P	LTN	DESCRIPTION	DATE	APVD
-	-	SEE SHEET 1	-	-

CONNECTOR CONTACT IDENTIFICATION  

CONTACT NUMBER	SIDE A	SIDE B
1	GROUND	GROUND
2	SIGNAL	SIGNAL
3	SIGNAL	SIGNAL
4	GROUND	GROUND
5	SIGNAL	SIGNAL
6	SIGNAL	SIGNAL
7	GROUND	GROUND
8	SIGNAL	SIGNAL
9	SIGNAL	SIGNAL
10	GROUND	GROUND
11	SIGNAL	SIGNAL
12	SIGNAL	SIGNAL
13	GROUND	GROUND
14	SIGNAL	SIGNAL
15	SIGNAL	SIGNAL
16	GROUND	GROUND
17	SIGNAL	SIGNAL
18	SIGNAL	SIGNAL
19	GROUND	GROUND
20	SIGNAL	SIGNAL
21	SIGNAL	SIGNAL
22	GROUND	GROUND
23	SIGNAL	SIGNAL
24	SIGNAL	SIGNAL
25	GROUND	GROUND
26	SIGNAL	SIGNAL
27	SIGNAL	SIGNAL
28	GROUND	GROUND
29	GROUND	GROUND
30	SIGNAL	SIGNAL
31	SIGNAL	SIGNAL
32	GROUND	GROUND
33	SIGNAL	SIGNAL
34	SIGNAL	SIGNAL
35	GROUND	GROUND

CONTACT NUMBER	SIDE A	SIDE B
36	SIGNAL	SIGNAL
37	SIGNAL	SIGNAL
38	GROUND	GROUND
39	SIGNAL	SIGNAL
40	SIGNAL	SIGNAL
41	GROUND	GROUND
42	GROUND	GROUND
43	GROUND	GROUND
44	SIGNAL	SIGNAL
45	SIGNAL	SIGNAL
46	GROUND	GROUND
47	SIGNAL	SIGNAL
48	SIGNAL	SIGNAL
49	GROUND	GROUND
50	SIGNAL	SIGNAL
51	SIGNAL	SIGNAL
52	GROUND	GROUND
53	SIGNAL	SIGNAL
54	SIGNAL	SIGNAL
55	GROUND	GROUND
56	SIGNAL	SIGNAL
57	SIGNAL	SIGNAL
58	GROUND	GROUND
59	SIGNAL	SIGNAL
60	SIGNAL	SIGNAL
61	GROUND	GROUND
62	SIGNAL	SIGNAL
63	SIGNAL	SIGNAL
64	GROUND	GROUND
65	SIGNAL	SIGNAL
66	SIGNAL	SIGNAL
67	GROUND	GROUND
68	SIGNAL	SIGNAL
69	SIGNAL	SIGNAL
70	GROUND	GROUND

CONTACT NUMBER	SIDE OA	SIDE OB
1	GROUND	GROUND
2	SIGNAL	SIGNAL
3	SIGNAL	SIGNAL
4	GROUND	GROUND
5	SIGNAL	SIGNAL
6	SIGNAL	SIGNAL
7	GROUND	GROUND
8	SIGNAL	SIGNAL
9	SIGNAL	SIGNAL
10	GROUND	GROUND
11	SIGNAL	SIGNAL
12	SIGNAL	SIGNAL
13	GROUND	GROUND
14	GROUND	GROUND



DETAIL J
SCALE 4:1

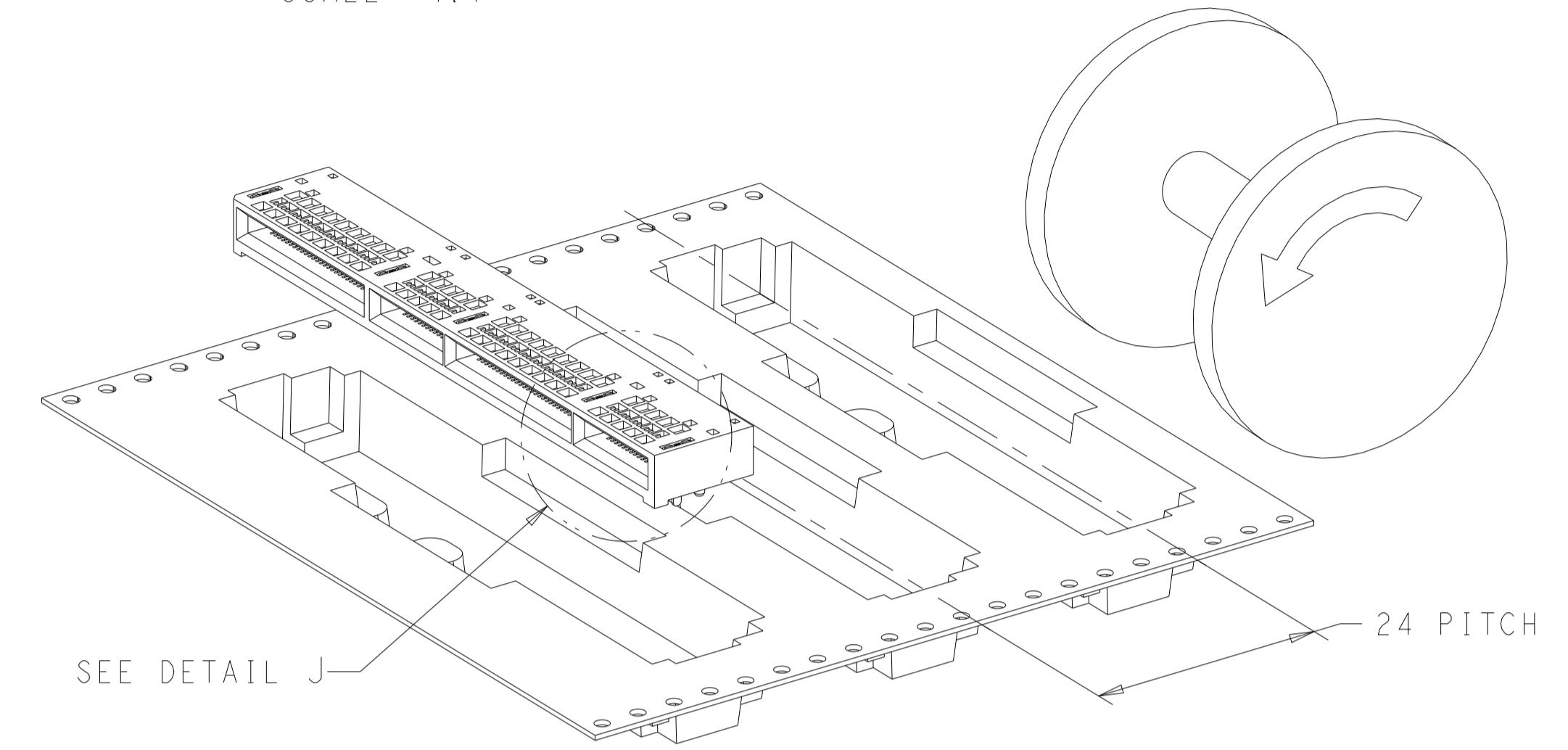
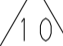
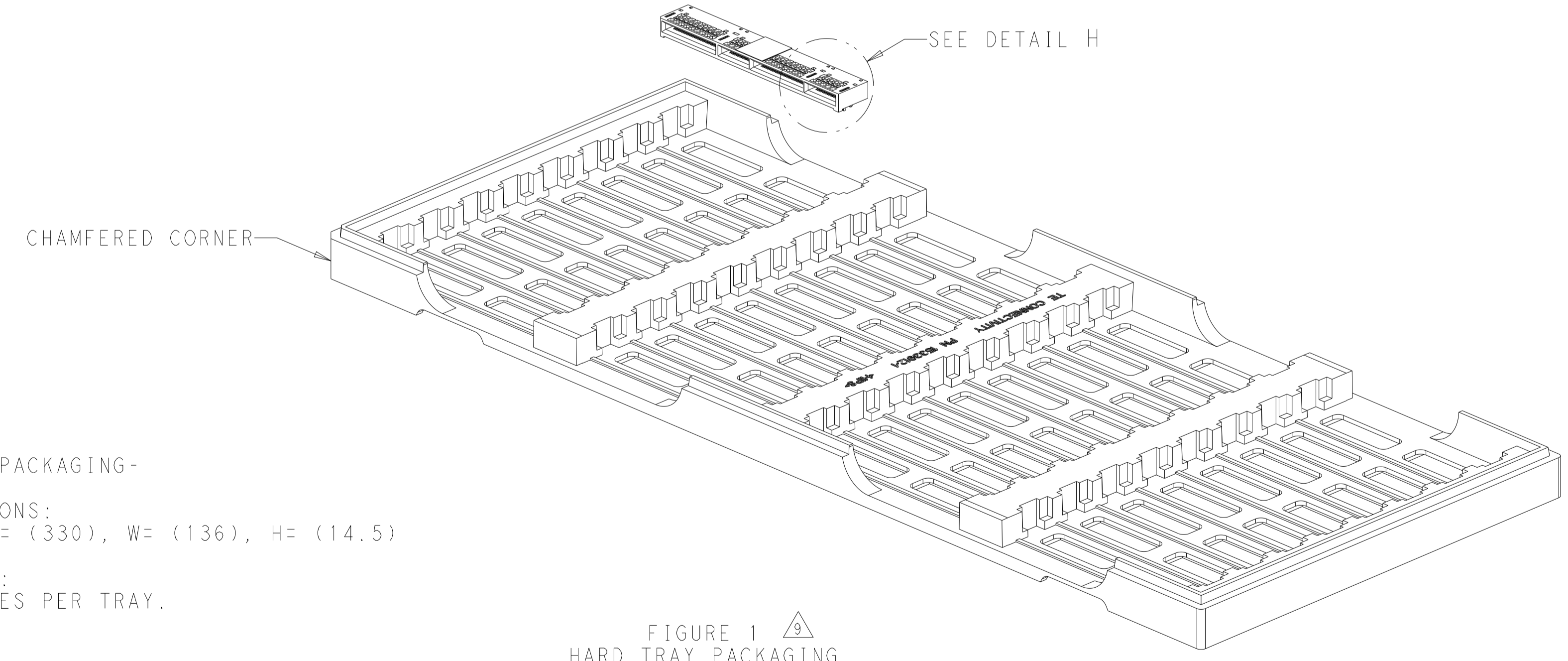



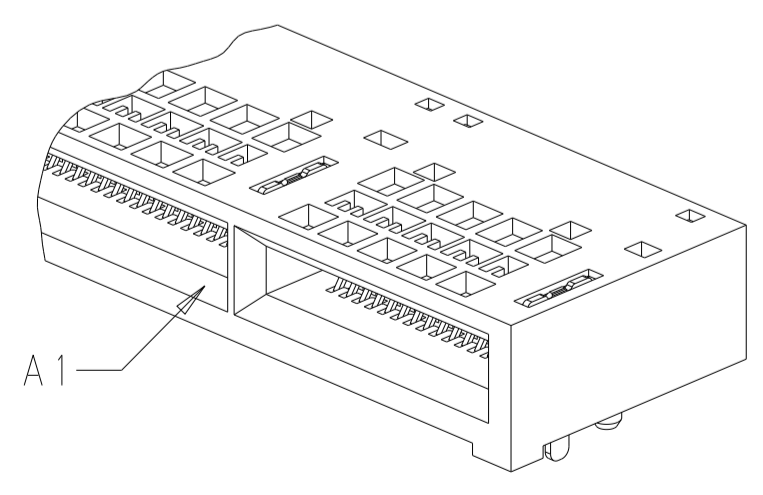
FIGURE 2 
DIRECTION OFF TOP OF REEL
FOR USER UNREELING
APPLIES TO 2336568-9 ONLY
SCALE 2:1




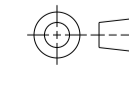
CHAMFERED CORNER

- HARD TRAY PACKAGING-
- DIMENSIONS:
TRAY: L= (330), W= (136), H= (14.5)
 - QUANTITY:
32 PIECES PER TRAY.

FIGURE 1 
HARD TRAY PACKAGING
APPLIES TO 2336568-1 THRU 2336568-8,
AND 1-2336568-0
SCALE 1:1



DETAIL H
SCALE 4:1

THIS DRAWING IS A CONTROLLED DOCUMENT.		OWN C. VALENTINE 10MAY2018	 TE Connectivity
DIMENSIONS:		CHK D. HARMON 10MAY2018	
mm	TOLERANCES UNLESS OTHERWISE SPECIFIED:	APVD D. HARMON 10MAY2018	NAME RECEPTACLE ASSEMBLY, RIGHT ANGLE, 168 POSITION, SILVER 2.0
	0 PLC ± 1 PLC ± 2 PLC ± 3 PLC ± 4 PLC ± ANGLES ± FINISH ±	PRODUCT SPEC 108-130021	RESTRICTED TO
MATERIAL		APPLICATION SPEC 114-130008	SIZE CAGE CODE DRAWING NO A1 - C=2336568
		WEIGHT	SCALE 8:1 SHEET 5 OF 5 REV B
		CUSTOMER DRAWING	

单击下面可查看定价，库存，交付和生命周期等信息

[>>TE Connectivity\(泰科\)](#)