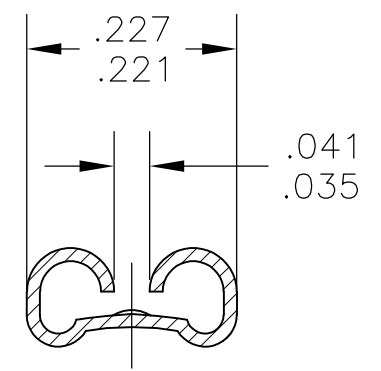
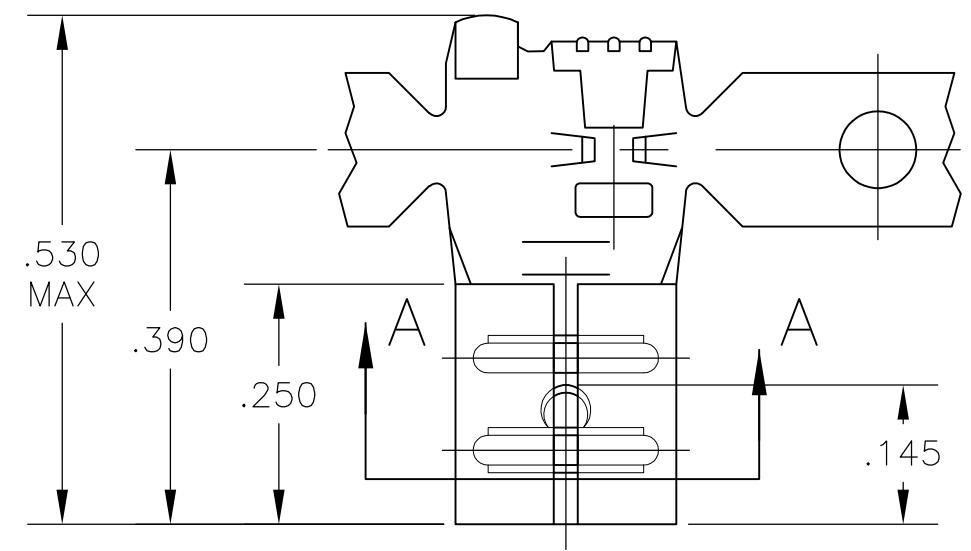


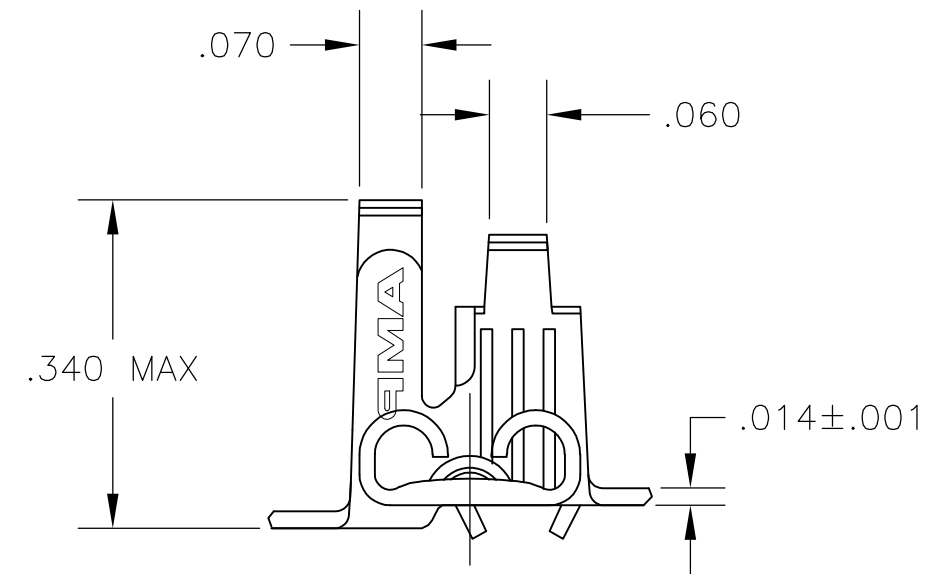
THIS DRAWING IS UNPUBLISHED. RELEASED FOR PUBLICATION  
 © COPYRIGHT - By - ALL RIGHTS RESERVED.

LOC	DIST	REVISIONS					
AF	14	P	LTR	DESCRIPTION	DATE	DWN	APVD
		B		REVISED PER ECR-12-013518	26NOV2012	KH	PD

- 1 CONTINUOUS STRIP ON REELS
- 2 WIRE SIZE IS #18-#14 AWG OR #2-#18
- 3 INSULATION RANGE IS .110-.190 DIA
- 4 MATING TAB THK IS .032±.001
- 5 PRELIMINARY - NOT FOR PRODUCTION



SECTION A-A



T3 PHOS BRONZE	5 1742422-2
BRASS	1742422-1
MATERIAL	PART NO

THIS DRAWING IS A CONTROLLED DOCUMENT.		DWN	jr_ruth	29MAR06	<b>STE</b> TE Connectivity																			
DIMENSIONS: INCHES		CHK	P_DESANTIS	29MAR06				NAME RECEPTACLE, FASTON, FLAG, .187 SERIES																
TOLERANCES UNLESS OTHERWISE SPECIFIED:		APVD	P_DESANTIS	29MAR06	APPLICATION SPEC 114-2078																			
<table border="0"> <tr><td>0 PLC</td><td>± -</td></tr> <tr><td>1 PLC</td><td>± -</td></tr> <tr><td>2 PLC</td><td>± -</td></tr> <tr><td>3 PLC</td><td>± .005</td></tr> <tr><td>4 PLC</td><td>± -</td></tr> <tr><td>ANGLES</td><td>± 5°</td></tr> </table>		0 PLC	± -	1 PLC				± -	2 PLC	± -	3 PLC	± .005	4 PLC	± -	ANGLES	± 5°	PRODUCT SPEC		SIZE A3			CAGE CODE 00779		DRAWING NO C-1742422
0 PLC	± -																							
1 PLC	± -																							
2 PLC	± -																							
3 PLC	± .005																							
4 PLC	± -																							
ANGLES	± 5°																							
MATERIAL SEE TABLE		FINISH TIN PLATE		WEIGHT -		SCALE 5:1		SHEET 1 OF 1		REV B														
CUSTOMER DRAWING																								

单击下面可查看定价，库存，交付和生命周期等信息

[>>TE Connectivity\(泰科\)](#)