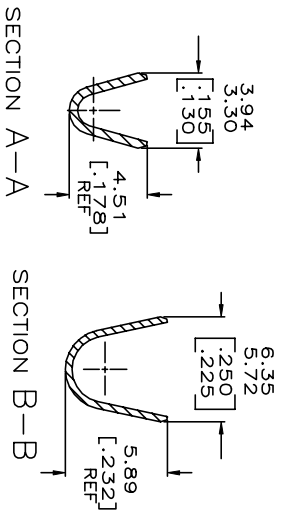
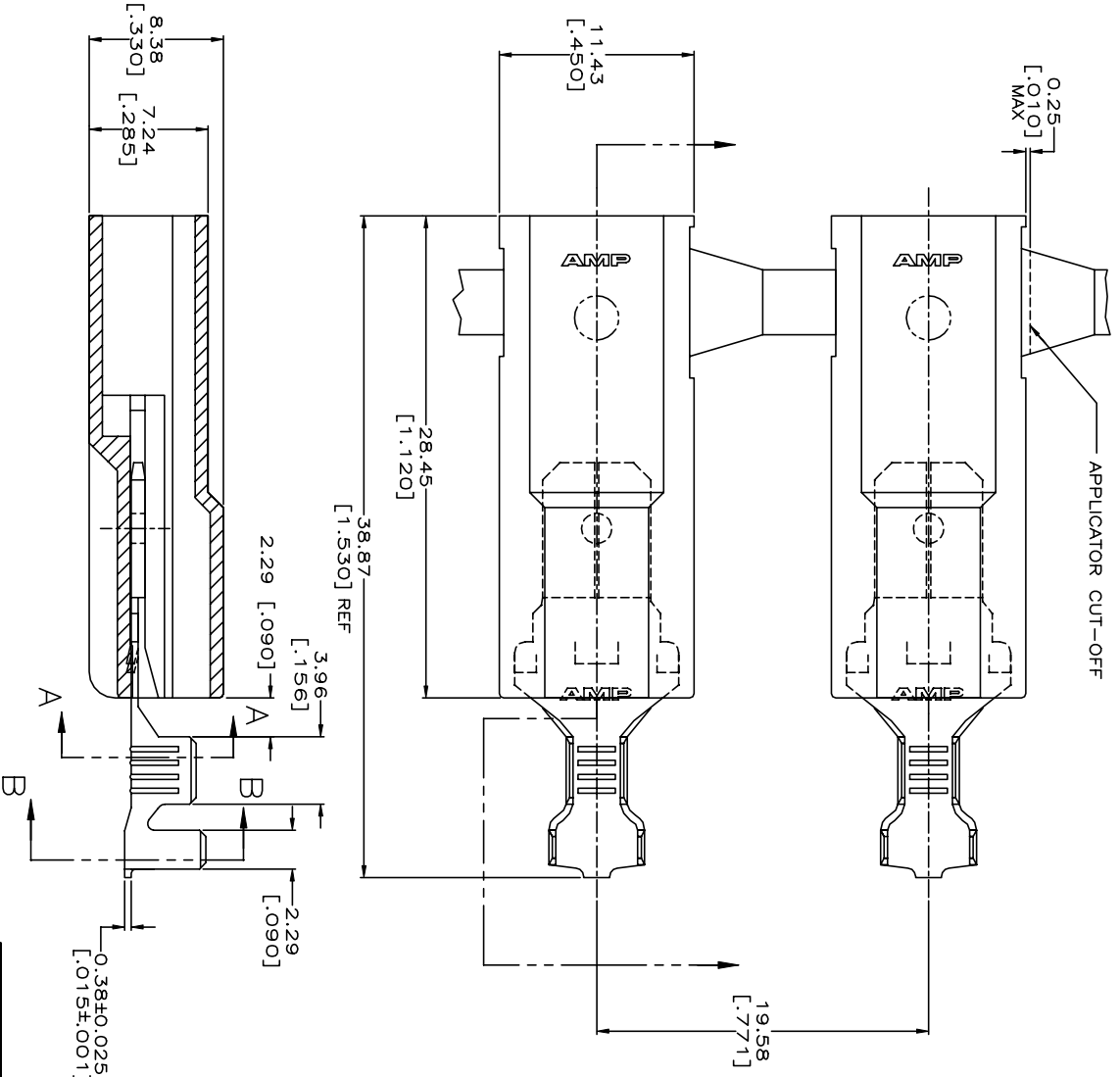


| REV | DATE | DESCRIPTION | BY | CHK | APP |
|-----|------|-------------|----|-----|-----|
| 1 | | | | | |
| 2 | | | | | |
| 3 | | | | | |
| 4 | | | | | |
| 5 | | | | | |

- FASTON TAB BASE #1217166, ARE USED IN THIS PRODUCT.
 - WIRE SIZE IS [#18-#14] AWG.
 - INSULATION RANGE IS 3.30-4.57 [1.30-.180] DIA.
 - MATES WITH A 6.35 X 0.81 [250 X .032] RECEPTACLE.
- 5 MATERIAL & FINISH
TERMINAL - BRASS, SEE TABLE
HOUSING - HIGH TEMP NYLON 6, WHITE



THIS DRAWING IS A CONTROLLED DOCUMENT.

| DIMENSIONS: | UNIT: | OTHER: |
|-------------|-------------|--------|
| 0 P/C | MM [INCHES] | |
| 1 P/C | | |
| 2 P/C | | |
| 3 P/C | | |
| 4 P/C | | |
| 5 P/C | | |
| 6 P/C | | |
| 7 P/C | | |
| 8 P/C | | |
| 9 P/C | | |
| 10 P/C | | |
| 11 P/C | | |
| 12 P/C | | |
| 13 P/C | | |
| 14 P/C | | |
| 15 P/C | | |
| 16 P/C | | |
| 17 P/C | | |
| 18 P/C | | |
| 19 P/C | | |
| 20 P/C | | |
| 21 P/C | | |
| 22 P/C | | |
| 23 P/C | | |
| 24 P/C | | |
| 25 P/C | | |
| 26 P/C | | |
| 27 P/C | | |
| 28 P/C | | |
| 29 P/C | | |
| 30 P/C | | |
| 31 P/C | | |
| 32 P/C | | |
| 33 P/C | | |
| 34 P/C | | |
| 35 P/C | | |
| 36 P/C | | |
| 37 P/C | | |
| 38 P/C | | |
| 39 P/C | | |
| 40 P/C | | |
| 41 P/C | | |
| 42 P/C | | |
| 43 P/C | | |
| 44 P/C | | |
| 45 P/C | | |
| 46 P/C | | |
| 47 P/C | | |
| 48 P/C | | |
| 49 P/C | | |
| 50 P/C | | |

MR. RUTH ZIBCOI
MR. FEHNER ZIBCOI
MR. HUMMER ZIBCOI

108-1285
114-2124

ASSEMBLY TAB, ULTRA-POD, 6.35 [250] SERIES

521451-2
521451-1

FINISH

PART NO.

SCALE 5:1

单击下面可查看定价，库存，交付和生命周期等信息

[>>TE Connectivity\(泰科\)](#)