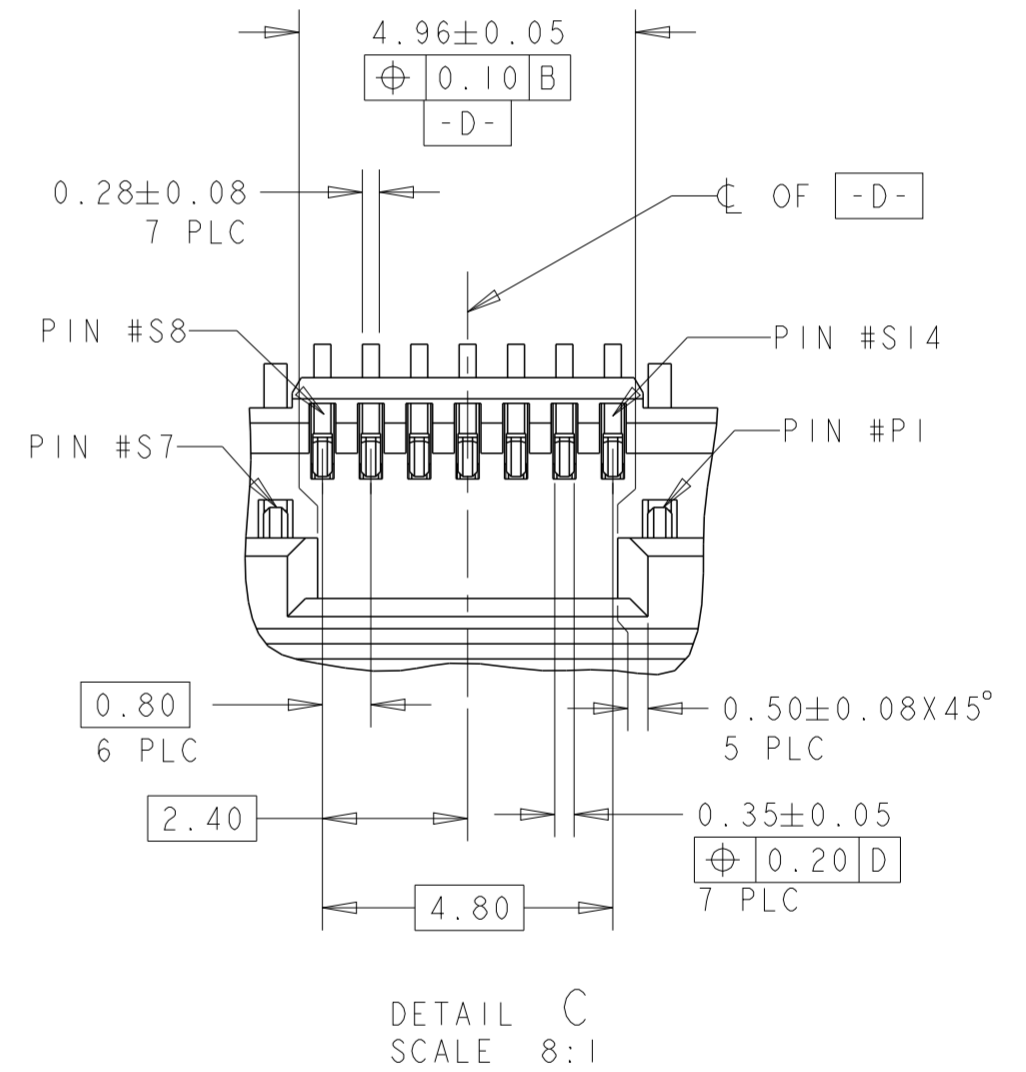


NOTES:

- 1 MATERIAL:  
HOUSING: HIGH TEMP THERMOPLASTIC, UL94V-0,  
COLOR: BLACK  
CONTACT: COPPER ALLOY  
BOARDLOCK: COPPER ALLOY
- 2 FINISH:  
CONTACT AREA: MIN 0.76um GOLD PLATING  
SOLDERTAIL: MIN 2.54um MATTE TIN PLATING  
UNDERPLATE: MIN 1.27um NICKEL PLATING
- 3 PIN #P4 AND #P12 ONLY
- 4 SOLDERTAIL TO BE 0.05 MAX ABOVE AND 0.10 MAX BELOW DATUM E
- 5 1.33 MAX MEASURED AT -C-



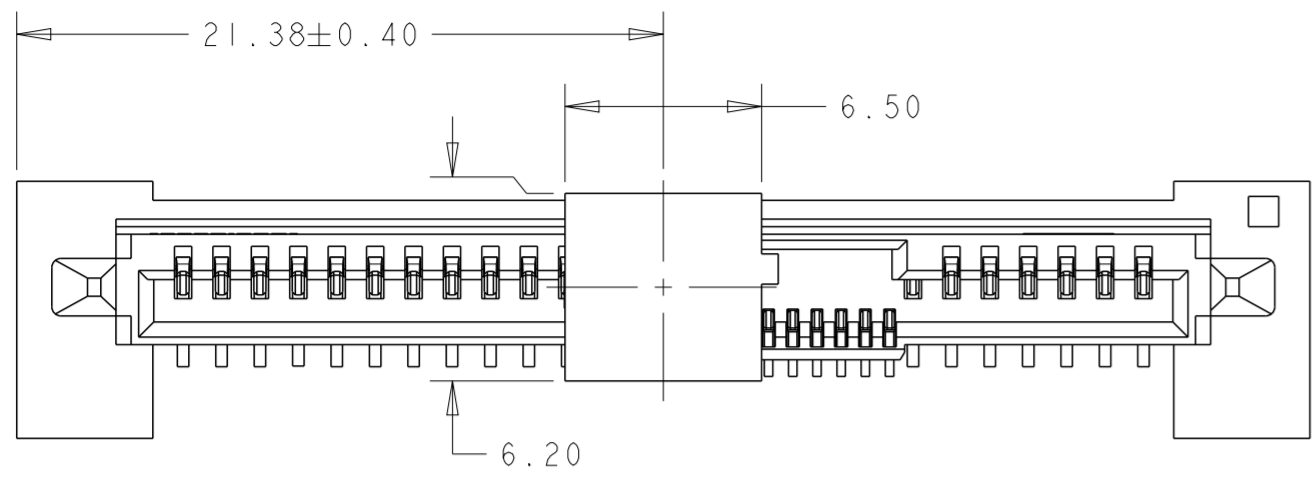
TAPE & REEL	ZIF TYPE (3)	3.50	YES	I-1735105-2
TRAY	ZIF TYPE (3)	3.50	YES	1735105-2
TRAY	FORK TYPE (2)	3.50	NO	1735105-1
PACKAGING	BOARDLOCK	DIM L	PICK-UP CAP (1)	PART NUMBER

DWN	29JUL2005	MATERIAL	HEAT TREAT
SK LEAW			
CHK	29JUL2005		
SF LEONG			
APVD	29JUL2005		
SF LEONG			
NAME SAS BACKPLANE RECEPTACLE, VERTICAL, SMT			
SCALE	SIZE	DRAWING NO	SHEET
4:1	A2	1735105	1 OF 2
			REV C

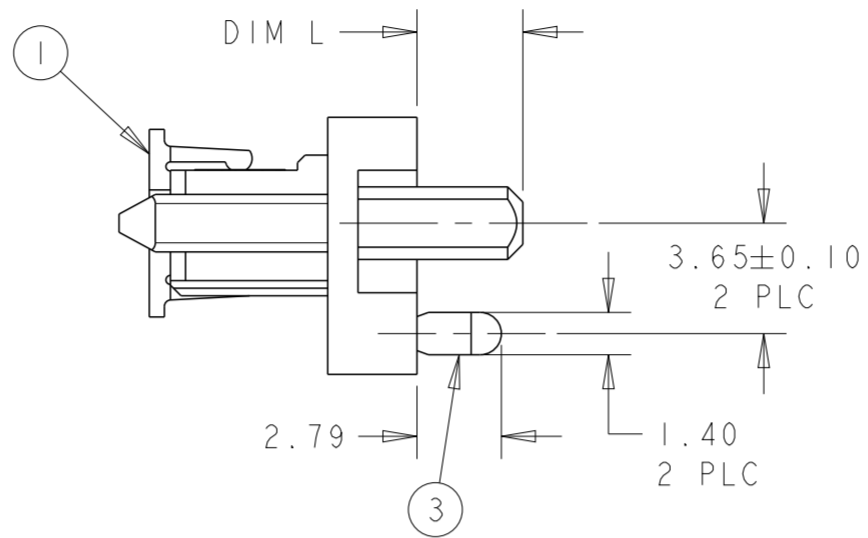
DIMENSIONS:		TOLERANCES UNLESS OTHERWISE SPECIFIED:	
mm		0 PLC	±
		1 PLC	±
		2 PLC	±0.20
		3 PLC	±
		4 PLC	±
ANGLES:	3°		
SURFACE TEXTURE			

C	REVISED PER ECO-14-008474	05JUN2014	BL	JY
LTR	REVISION RECORD	DATE	DWN	APVD

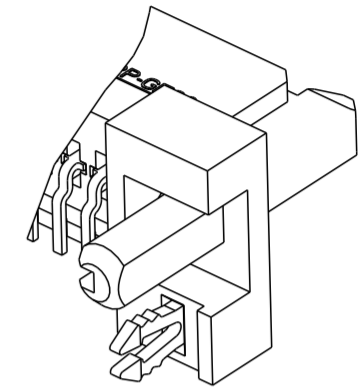
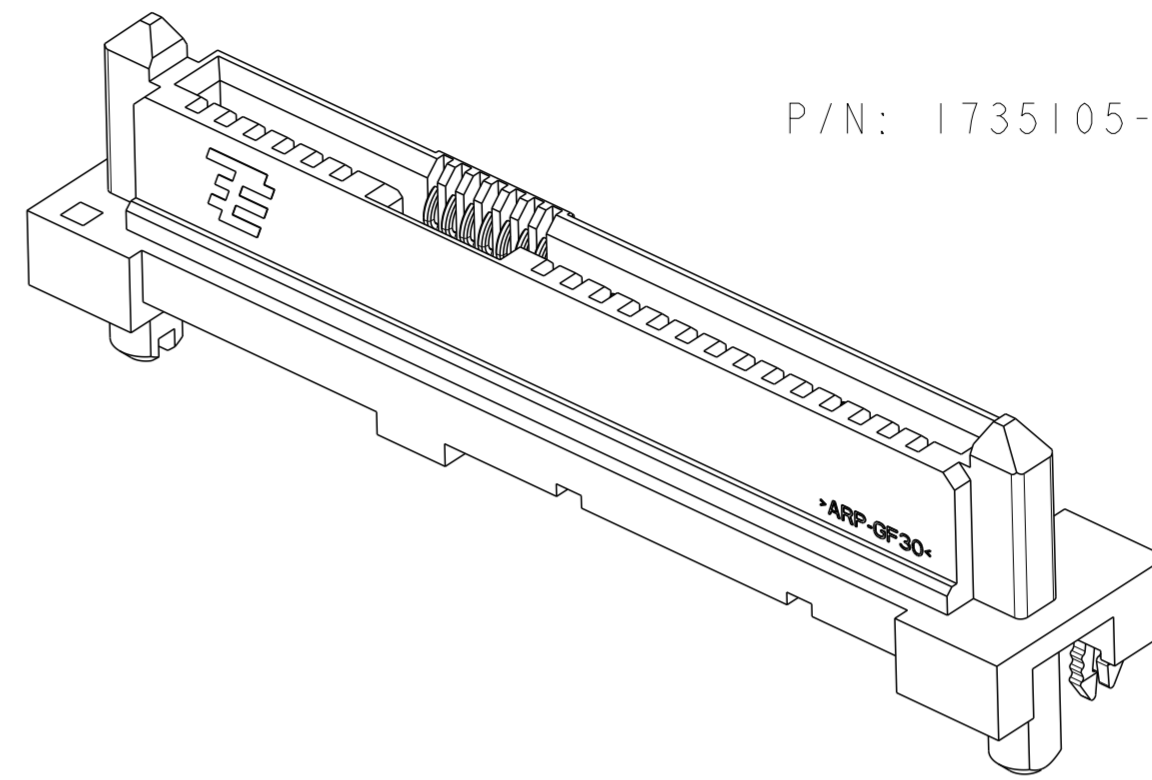
THIS INFORMATION IS CONFIDENTIAL AND PROPRIETARY TO TYCO ELECTRONICS CORPORATION AND ITS WORLDWIDE SUBSIDIARIES AND AFFILIATES (TE). IT MAY NOT BE DISCLOSED TO ANYONE, OTHER THAN TE PERSONNEL, WITHOUT AUTHORIZATION FROM TE (www.te.com).



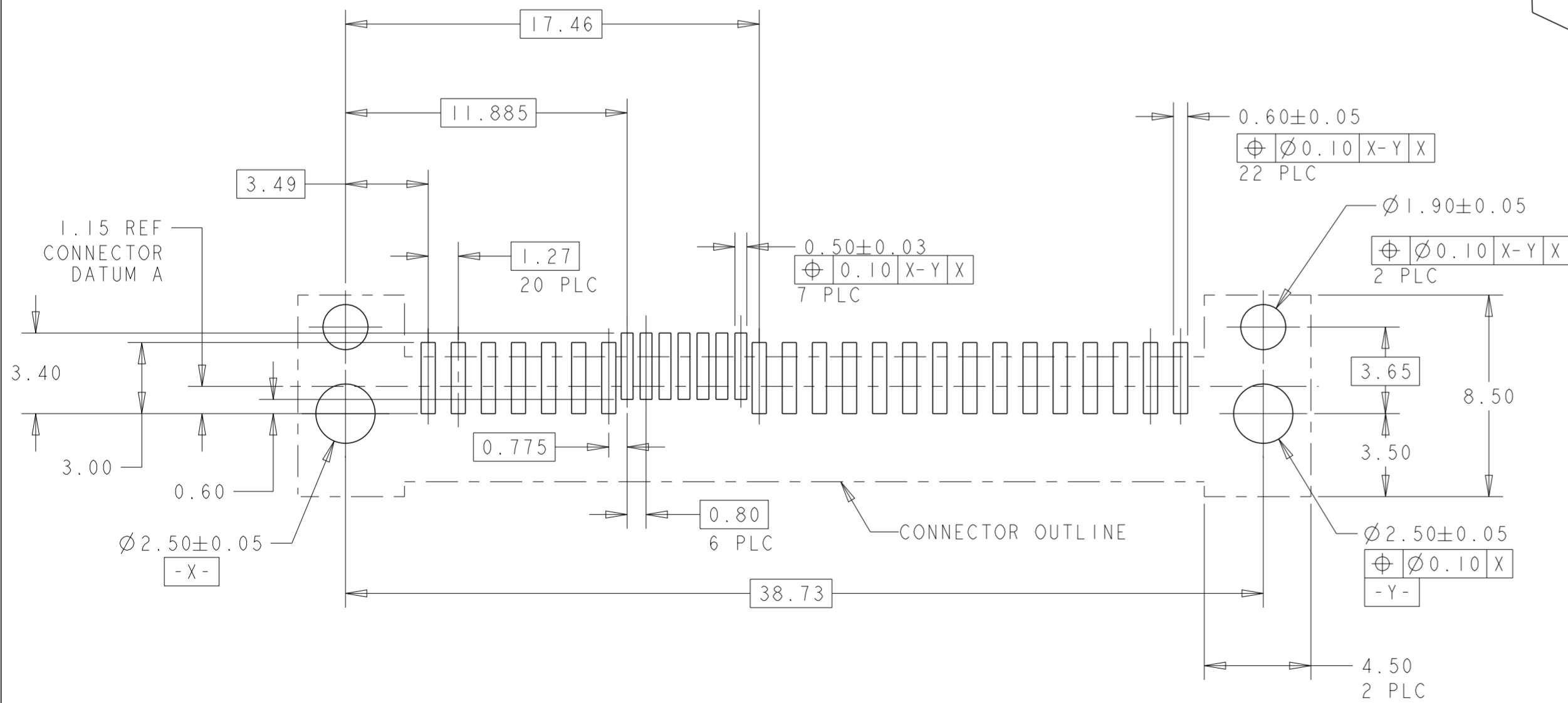
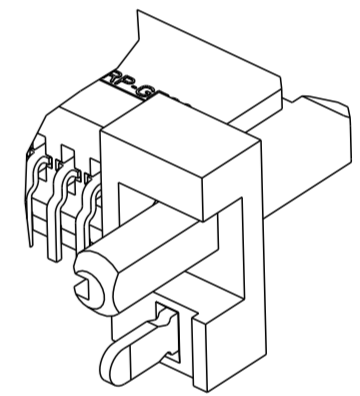
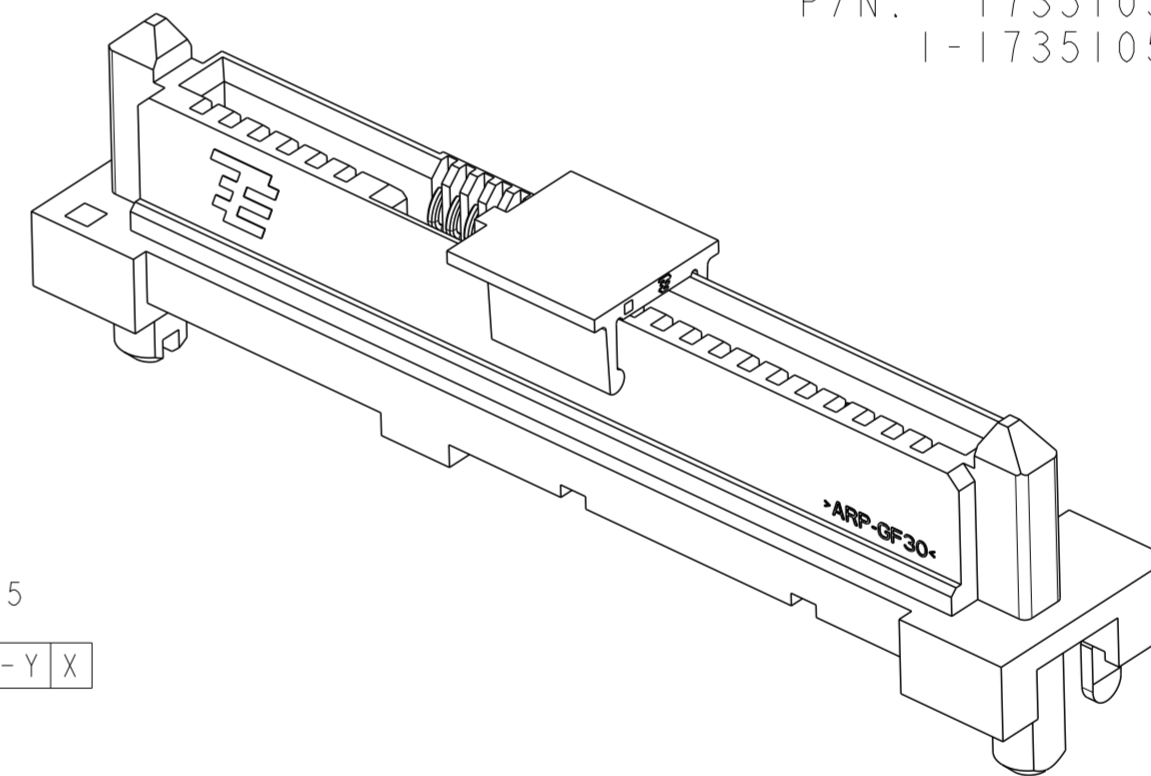
P/N: 1735105-2 AS SHOWN  
1-1735105-2



P/N: 1735105-1



P/N: 1735105-2  
1-1735105-2



RECOMMENDED PCB LAYOUT  
SCALE 5:1

-	SEE SHEET 1	-	-	-
LTR	REVISION RECORD	DATE	DWN	APVD

DIMENSIONS:		TOLERANCES UNLESS OTHERWISE SPECIFIED:	
mm		0 PLC	±-
⊕		1 PLC	±-
⊕		2 PLC	±0.20
⊕		3 PLC	±-
⊕		4 PLC	±-
ANGLES:	3°		
SURFACE TEXTURE	√		

DWN	29 JUL 2005	MATERIAL	TBD	HEAT TREAT	-
CHK	29 JUL 2005				
APVD	29 JUL 2005				
NAME		SAS BACKPLANE RECEPTACLE, VERTICAL, SMT			
SCALE	4:1	SIZE	A2	DRAWING NO	1735105
SHEET	2	OF	2	REV	C



单击下面可查看定价，库存，交付和生命周期等信息

[>>TE Connectivity\(泰科\)](#)