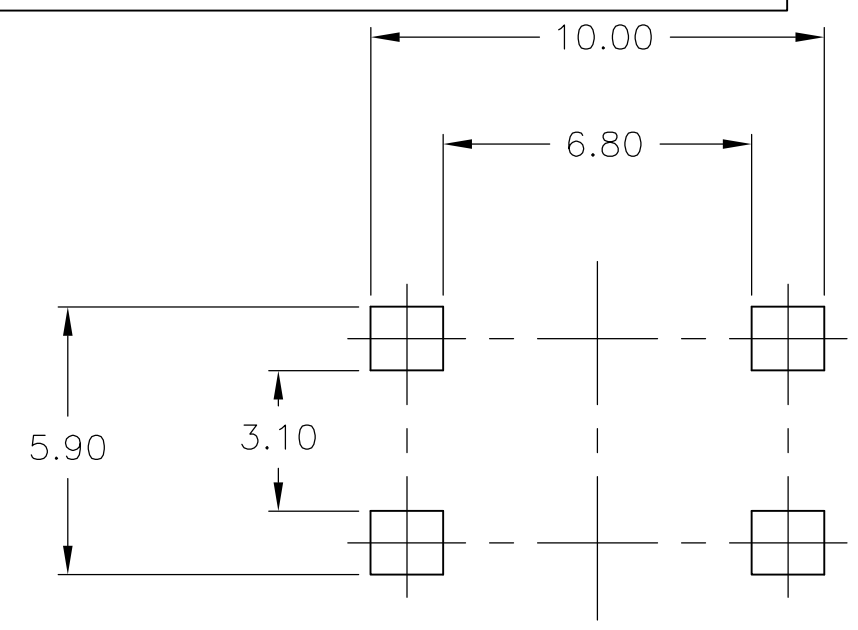
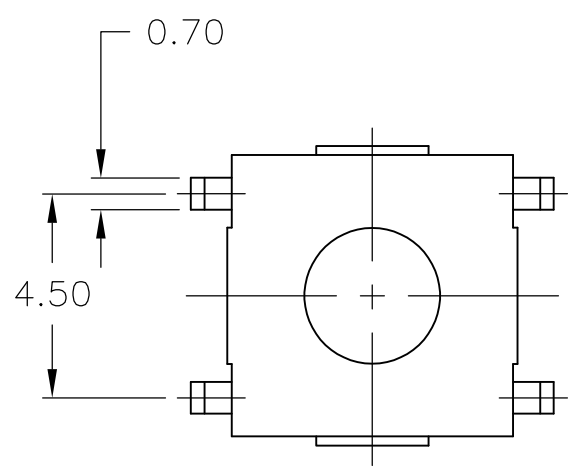
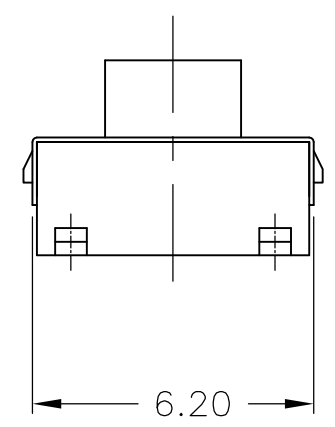
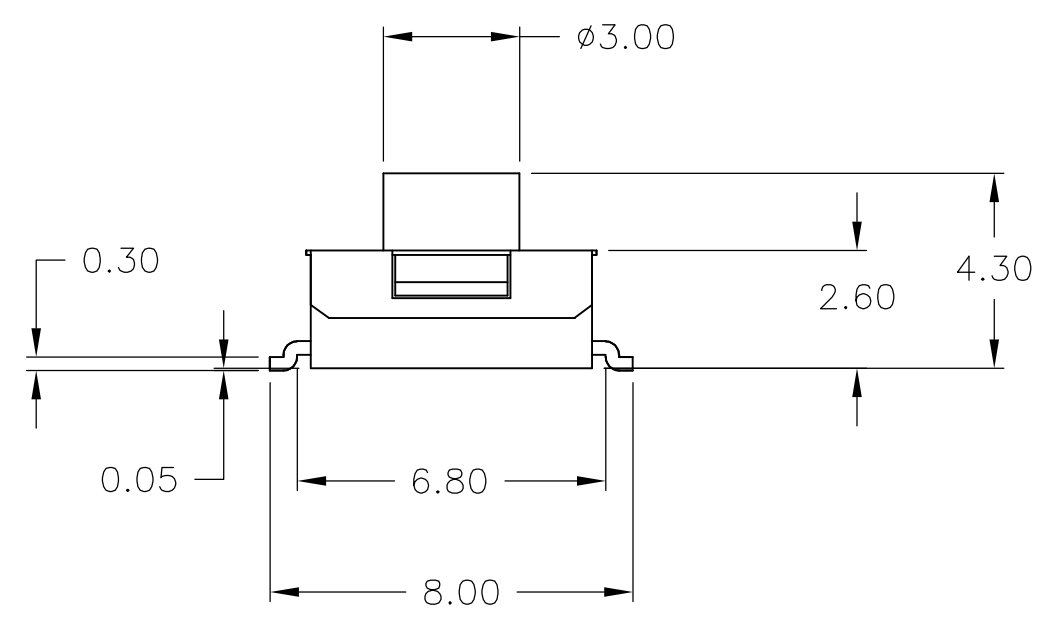


THIS DRAWING IS UNPUBLISHED. RELEASED FOR PUBLICATION
 © COPYRIGHT - By - ALL RIGHTS RESERVED.

REVISIONS					
P	LTR	DESCRIPTION	DATE	DWN	APVD
	A2	REVISED PER ECO-16-018632	05APR2017	SK	PO



P C B LAND DIMENSION



SPECIFICATIONS:

MATERIALS:

CASE, NYLON 46 UL94 V-0, IVORY
 ACTUATOR, NYLON PA6T UL94V-0, PINK FINISH
 COVER, COPPER ALLOY, TIN FINISH
 TERMINAL/FIXED CONTACT, COPPER ALLOY-SILVER FINISH
 MOVING CONTACT, STAINLESS STEEL-SILVER FINISH

ELECTRICAL:

MAX CONTACT RATING, 50MILLIAMPER@24V DC
 MIN CONTACT RATING, 1MICROAMP@1V DC
 CONTACT RESISTANCE, 100 MILLIOHMS MAX
 INSULATION RESISTANCE, 100 MEGOHM MIN.
 DIELECTRIC STRENGTH, 500 V AC FOR 1 MINUTE
 LIFE EXPECTANCY, 1,000,000 CYCLES

MECHANICAL:

ACTUATION FORCE, 260 +/-50GF
 ACTUATION TRAVEL, 0.25 +0.20/-0.10
 LIFE EXPECTANCY, 1,000,000, (2 CYCLES PER SECOND AND 150% ACTUATION FORCE)

ENVIRONMENTAL:

OPERATING TEMPERATURE, -40 TO +105° C
 STORAGE TEMPERATURE, -40 TO +105° C
 SOLDERABILITY, EIA-RS-186-9E, OR MIL-STD-202F
 RESISTANCE TO SOLDER HEAT, 260° C FOR 10SEC-PER 109-201, CONDITION B
 1.NO CHANGE IN INITIAL ELECTRICAL AND MECHANICAL CHARACTERISTICS

NOTES:

- 1 ALL MATERIALS AND FINISHES SHALL COMPLY WITH EU DIRECTIVE 2002/95/EC OF 27JAN2003 (ROHS)

() - INDICATES MOMENTARY POSITION

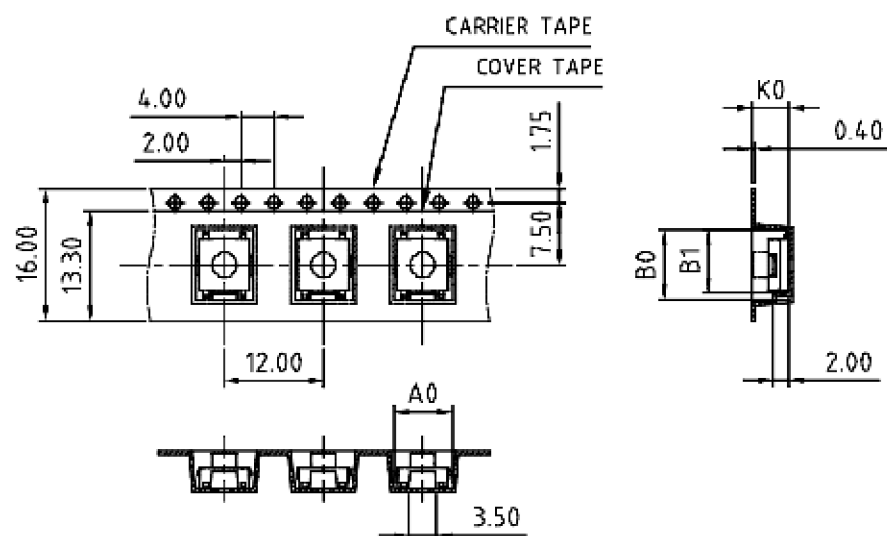
CIRCUIT CHARACTERISTICS		
CONTACT POSITION		CIRCUIT DIAGRAM
OFF	(ON) 1-3 2-4	

TAPE AND REEL	1,000,000	PINK	260 +/-50g	FSM4LPASTR	1977264-2	
BULK	1,000,000	PINK	260 +/-50g	FSM4LPAS	1977264-1	
PACKAGING	LIFE CYCLE	ACTUATOR COLOR	ACTUATION FORCE	T&B P/N	TE P/N	
THIS DRAWING IS A CONTROLLED DOCUMENT.		DWN M.BINNER 24JAN08	TE Connectivity TACTILE SWITCH 6X6mm LOW PROFILE, SURFACE MOUNT			
DIMENSIONS: mm		CHK M.SARVER 24JAN08				
TOLERANCES UNLESS OTHERWISE SPECIFIED:		APVD M.SARVER 24JAN08				
0 PLC ± - 1 PLC ± - 2 PLC ± 0.30 3 PLC ± - 4 PLC ± - ANGLES ± -		PRODUCT SPEC				
MATERIAL	FINISH	APPLICATION SPEC	SIZE	CAGE CODE	DRAWING NO	RESTRICTED TO
-	-	WEIGHT 0	A3	00779	C-1977264	-
CUSTOMER DRAWING			SCALE 6:1	SHEET 1 OF 2	REV A2	

REVISIONS

P	LTR	DESCRIPTION	DATE	DWN	APVD
-	-	SEE SHEET 1	-	-	-

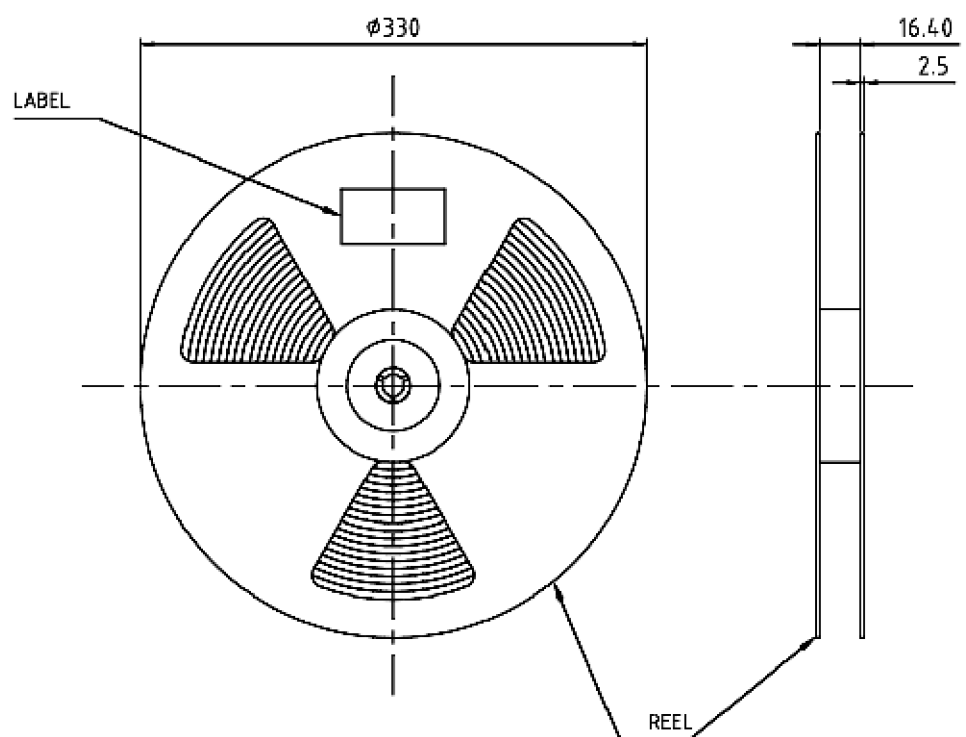
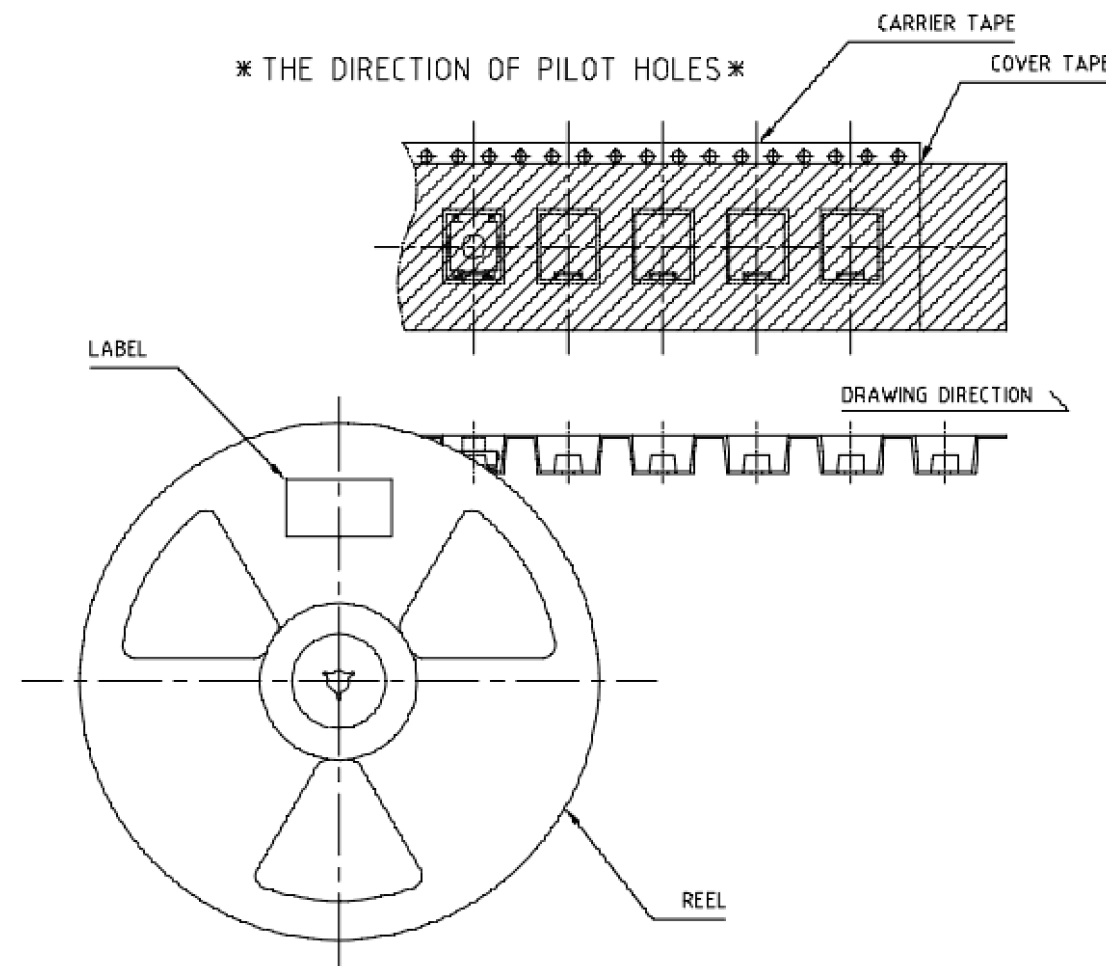
※ THE DIMENSION OF CARRIER TAPE, COVER TAPE AND REEL ※



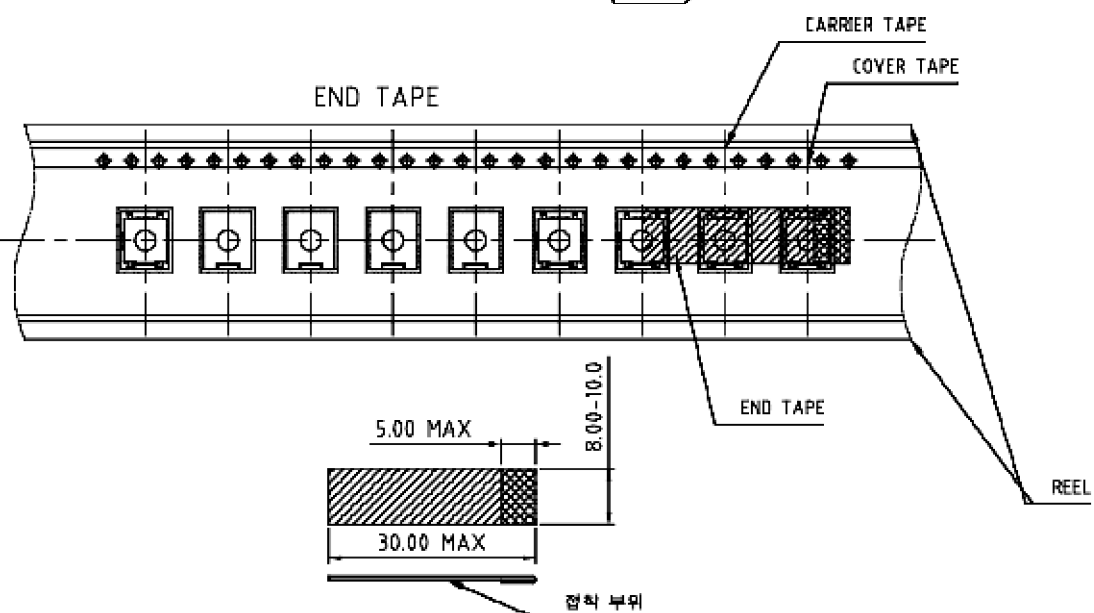
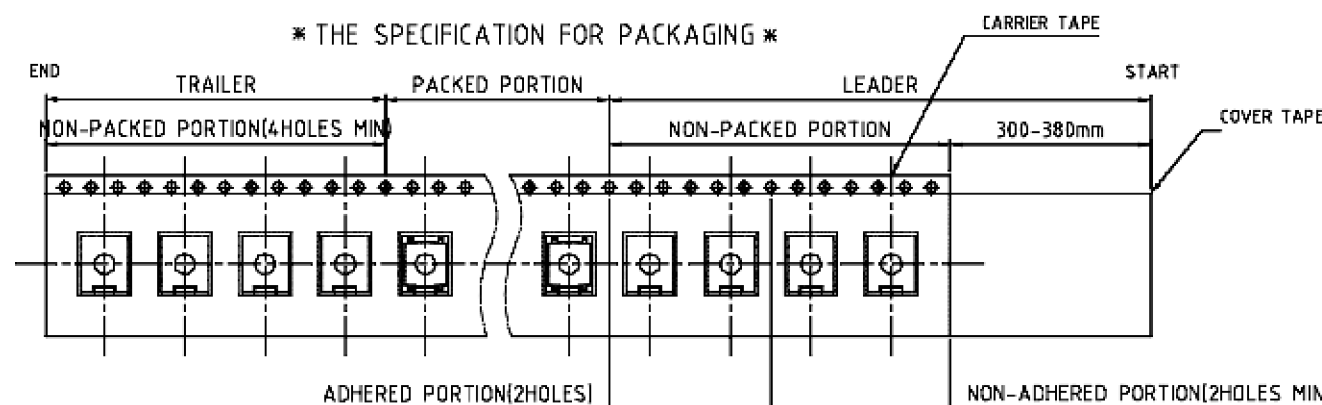
※ DIMENSION

구분	치수
A0	7.00mm
B0	8.40mm
B1	7.55mm
K0	4.50mm

※ THE DIRECTION OF PILOT HOLES ※



※ THE SPECIFICATION FOR PACKAGING ※



THIS DRAWING IS A CONTROLLED DOCUMENT.

DIMENSIONS:	mm
TOLERANCES UNLESS OTHERWISE SPECIFIED:	
0 PLC	± -
1 PLC	± -
2 PLC	± 0.30
3 PLC	± -
4 PLC	± -
ANGLES	± -
FINISH	-
MATERIAL	-

DWN	M.BINNER	24JAN08
CHK	M.SARVER	24JAN08
APVD	M.SARVER	24JAN08
PRODUCT SPEC	-	-
APPLICATION SPEC	-	-
WEIGHT	-	-
CUSTOMER DRAWING		



TACTILE SWITCH 6X6mm
LOW PROFILE,
SURFACE MOUNT

NAME	TACTILE SWITCH 6X6mm LOW PROFILE, SURFACE MOUNT			RESTRICTED TO
SIZE	CAGE CODE	DRAWING NO	-	
A3	00779	C-1977264	-	
SCALE	6:1	SHEET	2 OF 2	REV A2

单击下面可查看定价，库存，交付和生命周期等信息

[>>TE Connectivity\(泰科\)](#)