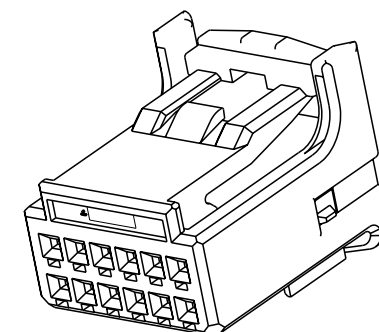
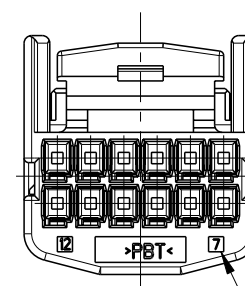
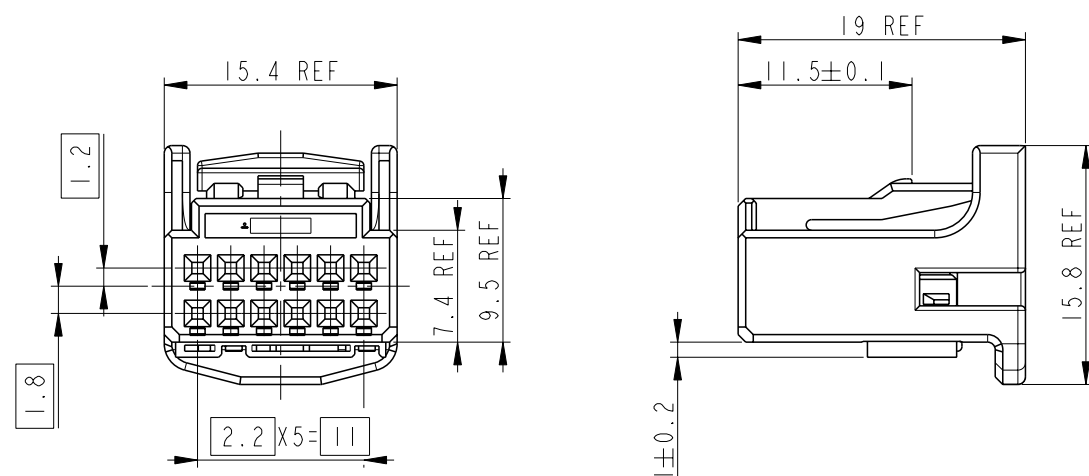


REVISIONS

P	LTR	DESCRIPTION	DATE	DWN	APVD
	A	REVISED (ECR-06-022215)	26. JUN. '07	SW	JK
	A I	REVISED (ECR-14-012386)	18. AUG. '14	JM	JW
	B	REVISED (ECR-15-017140)	09. JAN. '15	JM	JW
	B I	REVISED (ECR-17-000975)	23JAN2017	JM	JW



3D VIEW (SCALE 2:1)



NOTES:

1. RETAINER SHOULD BE SET TO THE PRE-ASSEMBLY POSITION WITHIN THE PLUG HOUSING WHEN SHIPPED TO THE CUSTOMER
2. THE RETENTION LATCH OF THE RETAINER MUST BE OUTSIDE OF PLUG HOUSING WHEN PRE-ASSEMBLY
3. RETAINER RETENTION FORCE FROM HOUSING: 20N MIN.
4. PART NUMBER OF CAP HOUSING: 1318772
5. APPLIED TERMINAL:

PART NO.	WIRE RANGE
1123343-1	0.3~0.5SQ
2005427-1	0.3~0.5SQ
2005097-1	0.13~0.22SQ

GENERAL TOLERANCES	
10 MAX	±0.2
10 OVER 30 MAX	±0.25
30 OVER	±0.3
ANGLES	±3°

(B1)

THIS DRAWING IS A CONTROLLED DOCUMENT.

DIMENSIONS: mm	TOLERANCES UNLESS OTHERWISE SPECIFIED:
	0 PLC ±
	1 PLC ±
	2 PLC ±
	3 PLC ±
	4 PLC ±
	ANGLES ±
MATERIAL SEE TABLE	FINISH -

DWN JM JEON	APVD JW JUNG
CHK -	PRODUCT SPEC -
APPLICATION SPEC 114-5250	WEIGHT -
CUSTOMER DRAWING	

TE TE Connectivity			
NAME 025 12P PLUG ASSEMBLY			
SIZE A3	CAGE CODE 00779	DRAWING NO C-936348	RESTRICTED TO -
SCALE 2:1		SHEET 1 OF 1	REV B1

NO.	COLOR/FINISH	MATERIAL	DESCRIPTION	QT 'Y	ASS'Y P/N
2	NATURAL	PBT	DBL HSG(S)	1	936348-2
	NATURAL	PBT	DBL HSG	1	
1	BLACK	PBT	PLUG HSG	1	936348-1
	NATURAL	PBT	PLUG HSG	1	

单击下面可查看定价，库存，交付和生命周期等信息

[>>TE Connectivity\(泰科\)](#)