

REVISIONS						
P	F	ZONE	LTR	DESCRIPTION	DATE	APPROVED
✓	✓		G1	REVISED PER ECO-11-005294	11APR11	HMR

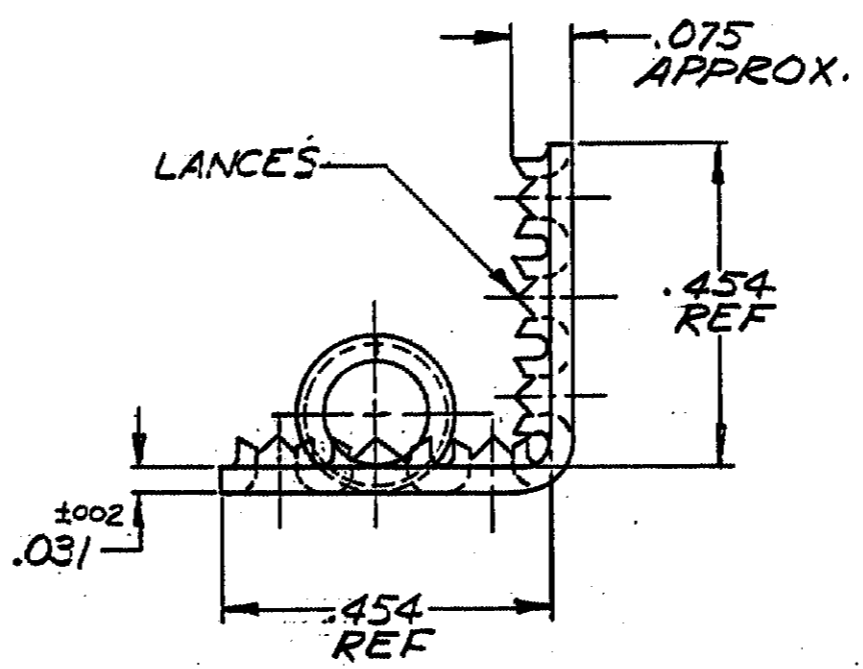
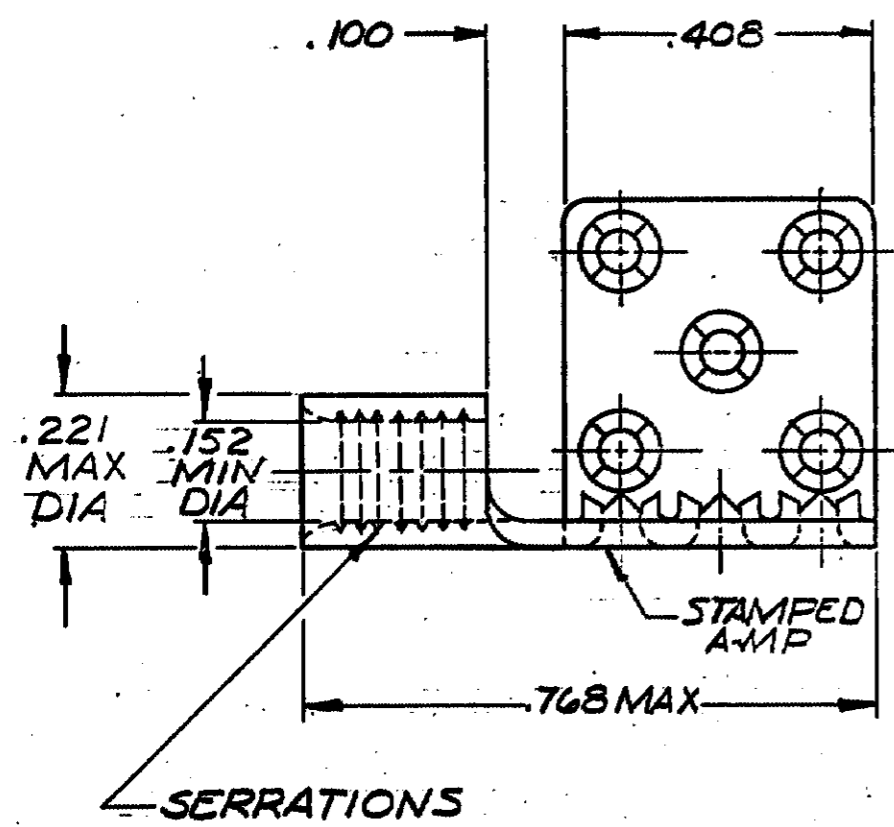


TABLE I

COPPER (QQ-C-576) ANNEALED FINISH: SEE TABLE II	2-329254-4 329254
MATERIAL & FINISH	PART NO

TABLE II

2-329254-4	TIN PL (MIL-T-10727)
329254	BRIGHT NICKEL PL (QQ-N-290).0002MIN EXT. THK
PART NO.	FINISH

UNLESS OTHERWISE SPECIFIED DIMENSIONS ARE IN INCHES. TOLERANCES ON: DECIMALS ±.008 ANGLES ± 5°	CONTRACT NO	<b>STE</b> TE Connectivity		
	DR <i>Enaminal</i> 10-26-73			
	CHK <i>Thomas Kelen</i> 10-26-73	NAME	WIRE TERMINAL	
	APPD <i>Abel</i> 10-29-73	TERMI-FOIL-SOLISTRAND-DOUBLE FACE	WIRE SIZE 12-10	
MATERIAL SEE TABLE I	APPD <i>Rady</i> 10-29-73	SIZE	CODE IDENT NO	NUMBER
FINISH SEE TABLE I	DSGN APPD	<b>B</b>	00779	329254
	OTHER APPD	SCALE 4:1	SHEET 1 OF 1	

CUSTOMER DRAWING

单击下面可查看定价，库存，交付和生命周期等信息

[>>TE Connectivity\(泰科\)](#)