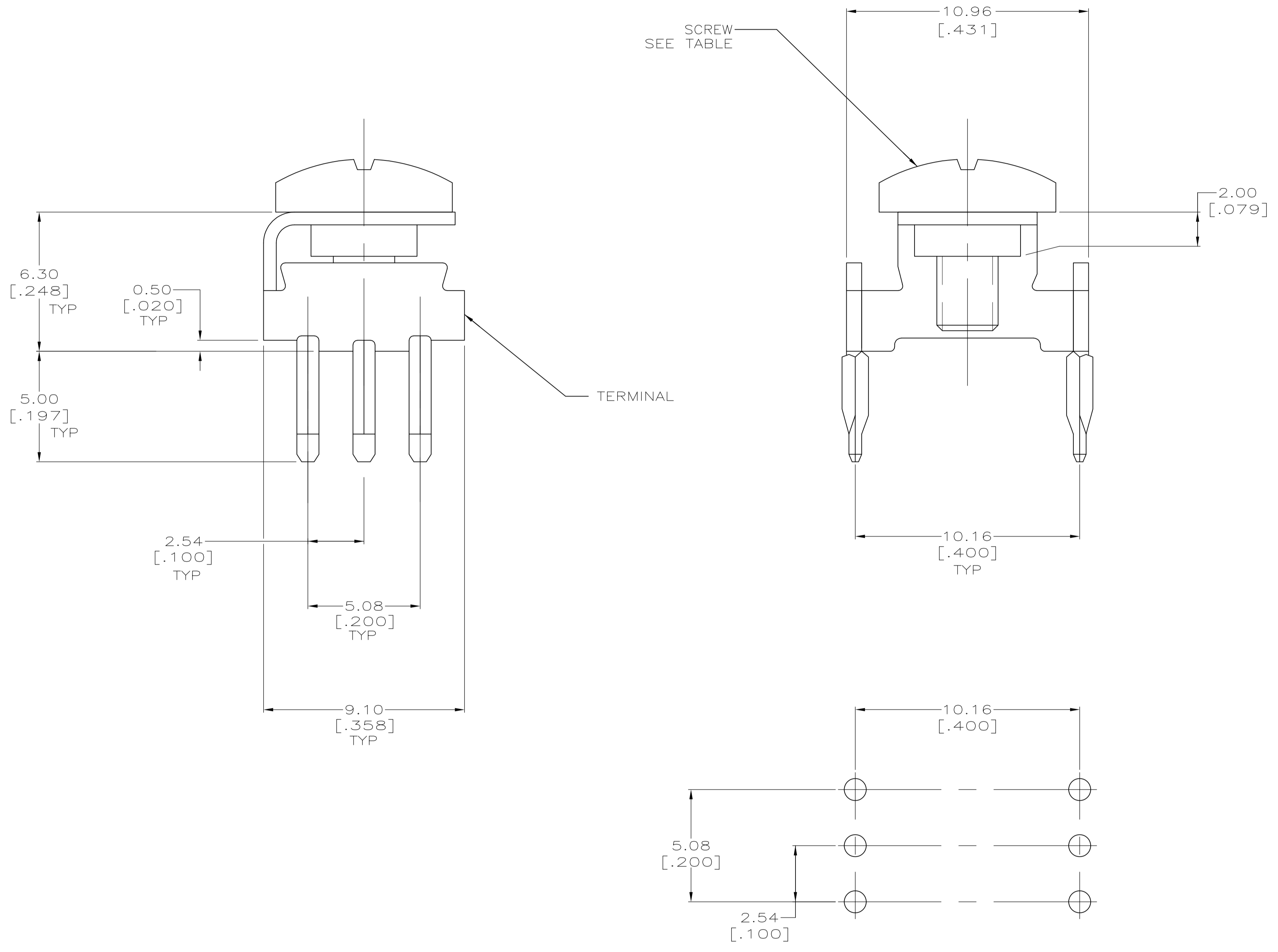


REVISIONS					
P	LTR	DESCRIPTION	DATE	DMN	APVD
A	REV PER EC	0512-0573-04	05-05-05	JA	SF
B	REV PER ECR	15-002180	13-10-16	WY	SZ

- ① TERMINAL: PHOSPHOR BRONZE; SCREW: STAINLESS STEEL.
- ② TERMINAL: 2.54μm [.000100] MIN MATTE TIN OVER 1.25μm [.000050] MIN NICKEL.
- ③ SCREW: PASSIVATED.



RECOMMENDED P.C. BOARD LAYOUT

PLATED THROUGH HOLE SPECIFICATION	
DRILLED HOLE	1.6±0.025
Cu- THICKNESS	25-75 μm
Sn-THICKNESS	4-10 μm
FINISHED HOLE	1.39-1.54
FINISHED HOLE (AFTER REFLOW)	1.36-1.54

THIS DRAWING IS A CONTROLLED DOCUMENT.	
DIMENSIONS: INCHES	TOLERANCES UNLESS OTHERWISE SPECIFIED:
0. PLC ± -	1. PLC ± -
2. PLC ± 0.13 [.005]	3. PLC ± -
4. PLC ± -	ANGLES ± -

DIN J. ALCORTA - DOCK5 05-05-05	5213816-2
CHK A. FRANTUM 05-05-05	5213816-1
APVD S. FLICKINGER 05-05-05	NAME
PRODUCT SPEC	POWER TAP ASSY, 6 POSN
APPLICATION SPEC	RESTRICTED TO
SIZE	CAGE CODE
WEIGHT 2.227	DRAWING NO. A1 00779
RESTRICTED CUSTOMER	SCALE 8:1 SHEET 1 OF 1 REV B

单击下面可查看定价，库存，交付和生命周期等信息

[>>TE Connectivity\(泰科\)](#)