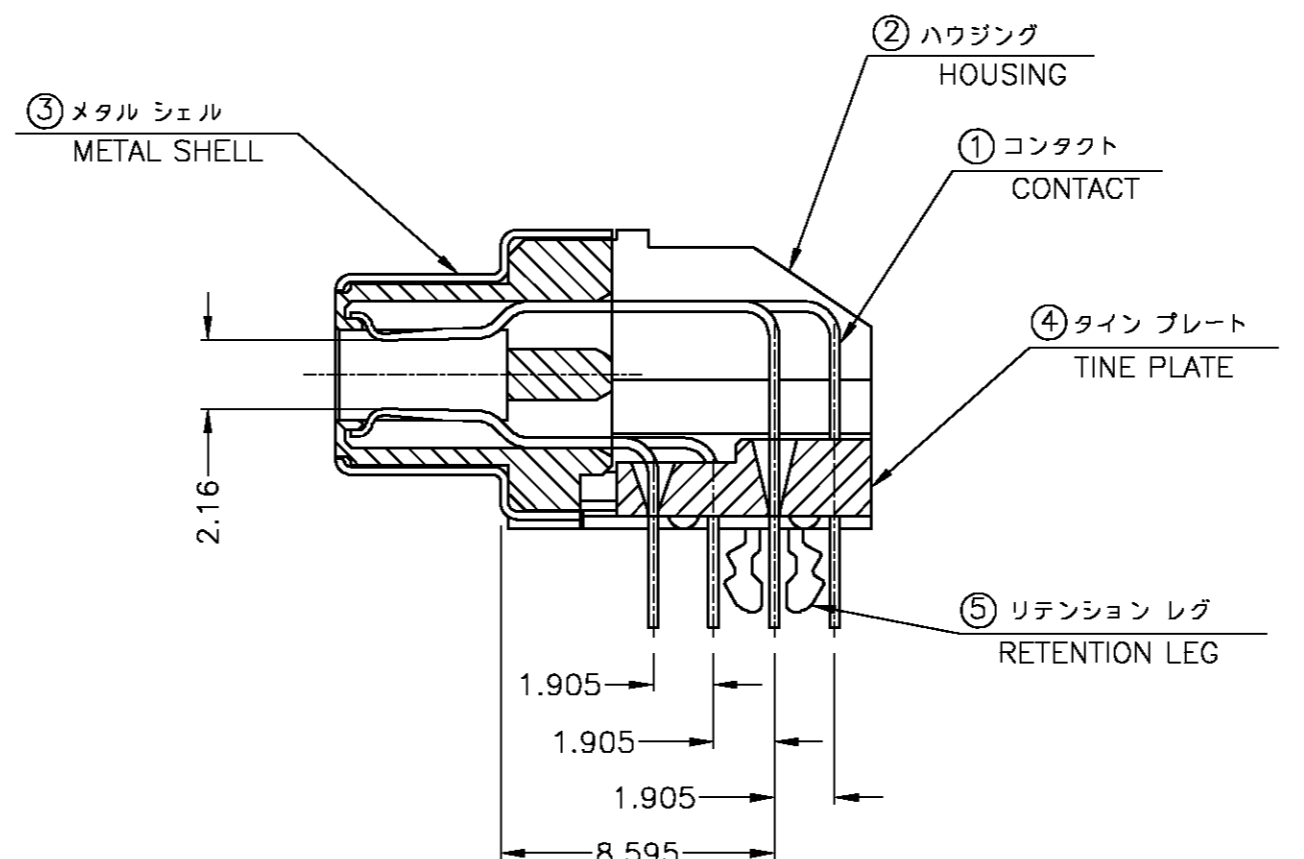
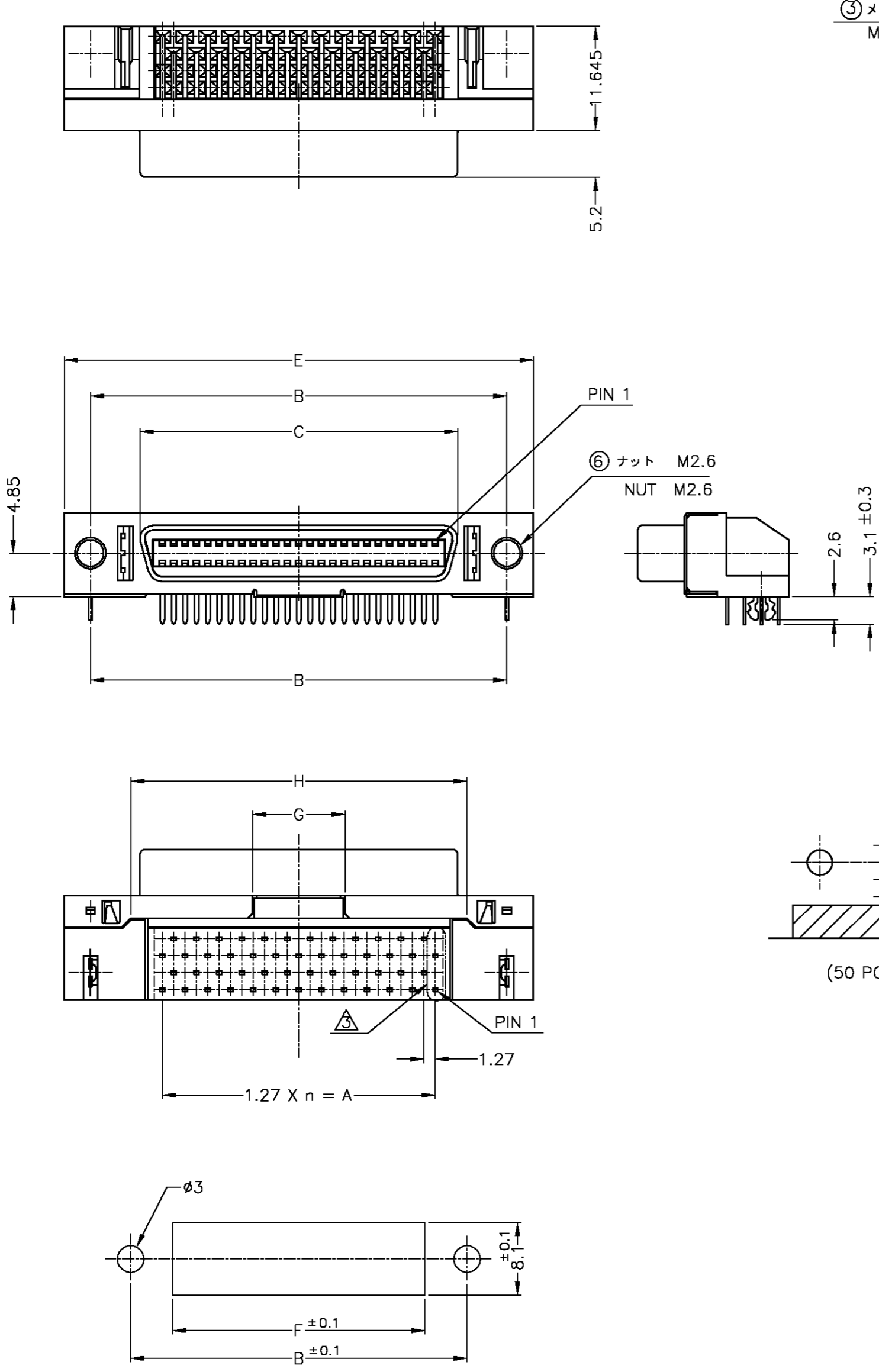


THIS DRAWING IS UNPUBLISHED. RELEASED FOR PUBLICATION 2000.
 © COPYRIGHT 2003 BY TYCO ELECTRONICS CORPORATION. ALL RIGHTS RESERVED.

LOC		DIST		REVISED					
J				P	LTR	DESCRIPTION	DATE	DWN	APVD
				B		REVISED (FJB0-0054-04)	20JUN04	T.K	Y.Y

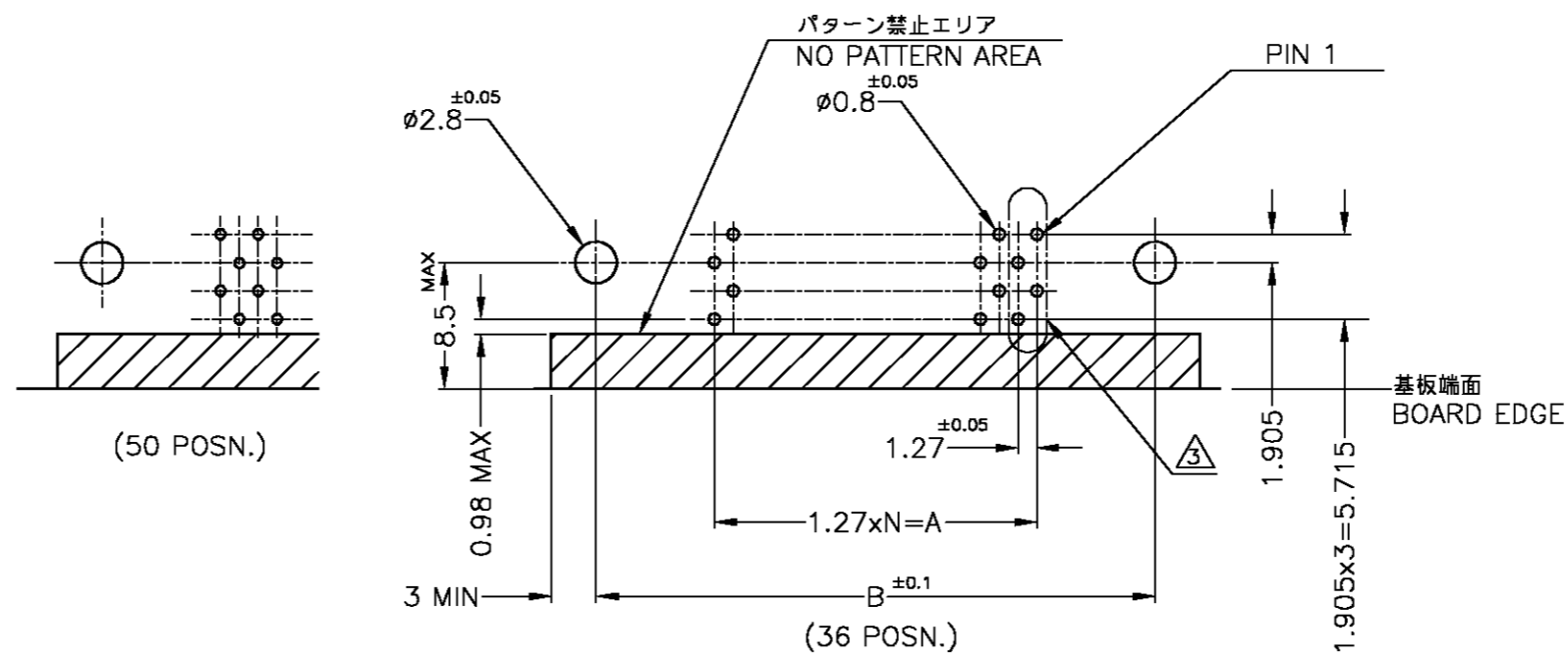
-7 ; AS SHOWN



ITEM	材料 (MATERIAL)	仕上 (FINISH)
①	銅合金 COPPER ALLOY	全面ニッケル下地めっき 接触部: 金めっき (0.1μm以上) タイン部: すずめっき NICKEL UNDER PLATE ALL OVER CONTACT AREA ; Au(0.1μm) SOLDER TINE AREA ; TIN PLATE
② ④	PBT	色 : 黒 COLOR : BLACK
③	鋼 t=0.25 STEEL t=0.25	鋼下地めっき上にニッケルめっき NICKEL PLATE OVER COPPER UNDERPLATE
⑤	銅合金 COPPER ALLOY	全面ニッケル下地上に全面すずめっき NICKEL UNDER PLATE ALL OVER, TIN PLATING ALL OVER.
⑥	鋼 STEEL	全面銅下地全面ニッケルめっき Cu UNDER PLATE ALL OVER, NICKEL PLATING ALL OVER

注記
 ① 適用ねじ : M2.6なべ小ねじ
 ② 推奨基板厚 : 1.6mm (参考)
 ③ ポストは本配列より始まる。

NOTE
 ① RECOMMENDED SCREW SIZE ; M2.6 PANHEAD SCREW
 ② RECOMMENDED P.C BOARD THICKNESS ; 1.6mm (REF)
 ③ POST PATTERN AS SHOWN ON THIS END FOR ALL POSITION.



推奨基板穴あけ寸法
 RECOMMENDED PC BOARD
 MOUNTING DIMENSION
 コネクタ取付面
 COMPONENT SIDE

鉛フリー
 LEAD FREE

パネルカット寸法
 REFERENCE PANEL CUTOUT
 (厚さ2mm最大)
 THK,2mm MAX

7.6	37.5	10.3	37.11	52.40	35.48	46.50	30.48	24	50	316998-7
6.8	28.61	8.3	28.21	43.51	26.59	37.61	21.59	17	36	316998-5
Weight(g)	H	G	F	E	C	B	A	N	POSITION	PART NO.

THIS DRAWING IS A CONTROLLED DOCUMENT.

DWN	T.KAWAMAE	20JUN03	 Tyco Electronics AMP K.K. Kawasaki, Japan
CHK	H.SHIRAI	20JUN03	
APVD	Y.YAMAMOTO	20JUN03	
DIMENSIONS: MM TOLERANCES UNLESS OTHERWISE SPECIFIED: 1 PLC ± 0.2 2 PLC ± 0.25 3 PLC ± 0.3 ANGLES ± 3°			NAME RECEPTACLE HDR ASS'Y(3.1mm) CHAMP.050 SERIES(II) FMS-TYPE
MATERIAL: SEE TABLE FINISH: SEE TABLE			WEIGHT: SEE TABLE CUSTOMER DRAWING
SIZE: A2		CAGE CODE: 00779	DRAWING NO: C=316998
SCALE: 2:1		SHEET: 1 OF 1	REV: B

316998

单击下面可查看定价，库存，交付和生命周期等信息

[>>TE Connectivity\(泰科\)](#)