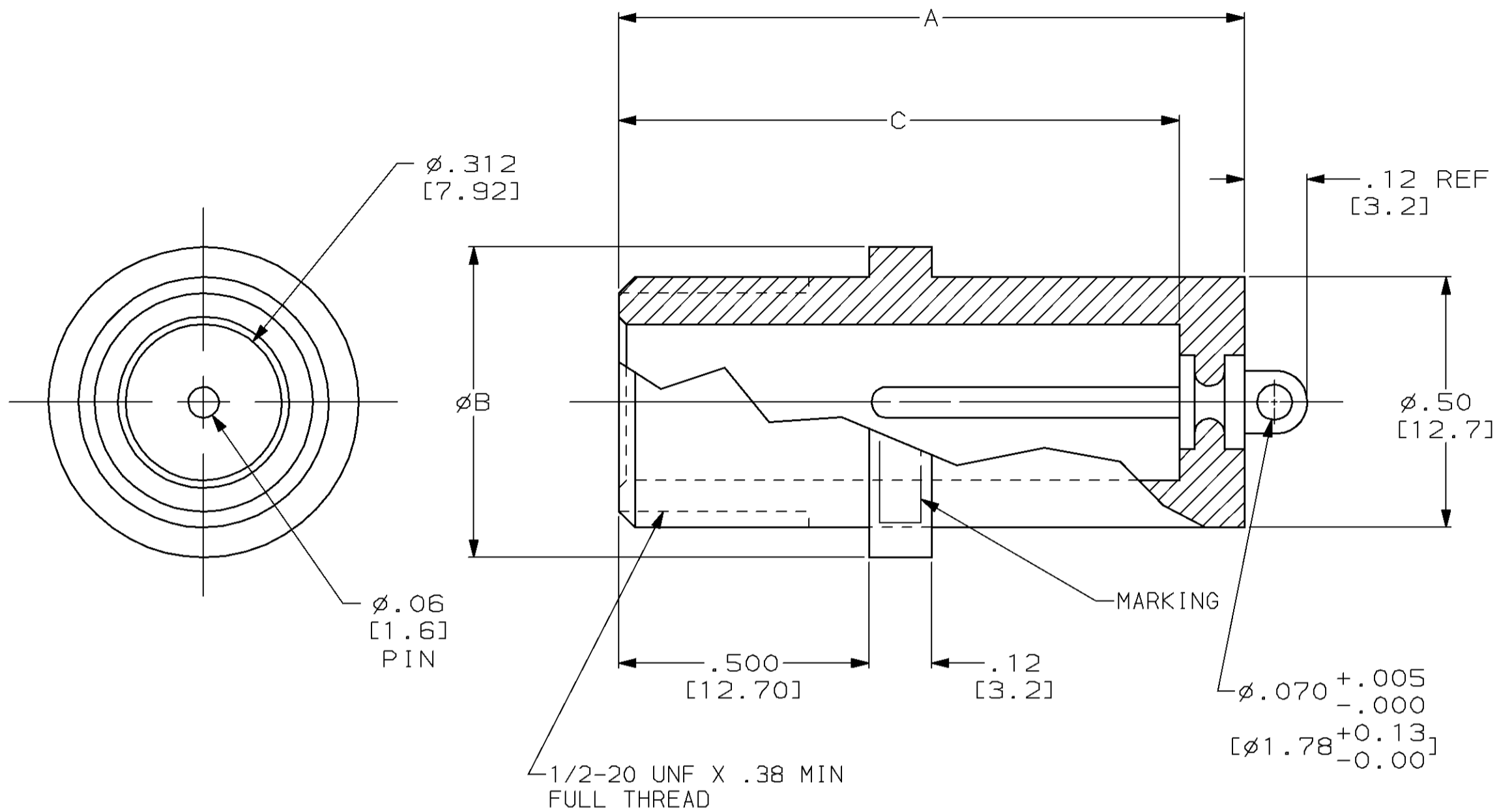


THIS DRAWING IS UNPUBLISHED. RELEASED FOR PUBLICATION
 BY AMP INCORPORATED. ALL RIGHTS RESERVED.

LOC	DIST	REVISIONS			
P	LTR	DESCRIPTION	DATE	DWN	APVD
DF	SO				
N		REV PER 0600-6634-97	02SEP98	TT	SG



OBSOLETE	1.00 [25.4]	.75 [19.1]	1.12 [28.4]	X	-	1-838960-6
OBSOLETE	1.00 [25.4]	.75 [19.1]	1.12 [28.4]	-	X	1-838960-5
OBSOLETE	1.12 [28.4]	.75 [19.1]	1.25 [31.8]	X	-	1-838960-4
OBSOLETE	1.12 [28.4]	.75 [19.1]	1.25 [31.8]	-	X	1-838960-3
OBSOLETE	.75 [19.1]	.75 [19.1]	.88 [22.4]	X	-	1-838960-2
OBSOLETE	.75 [19.1]	.75 [19.1]	.88 [22.4]	-	X	1-838960-1
OBSOLETE	.88 [22.4]	.75 [19.1]	1.00 [25.4]	X	-	1-838960-0
OBSOLETE	.88 [22.4]	.75 [19.1]	1.00 [25.4]	-	X	838960-9
OBSOLETE	1.00 [25.4]	.62 [15.7]	1.12 [28.4]	X	-	838960-8
OBSOLETE	1.00 [25.4]	.62 [15.7]	1.12 [28.4]	-	X	838960-7
OBSOLETE	1.12 [28.4]	.62 [15.7]	1.25 [31.8]	X	-	838960-6
OBSOLETE	1.12 [28.4]	.62 [15.7]	1.25 [31.8]	-	X	838960-5
OBSOLETE	.75 [19.1]	.62 [15.7]	.88 [22.4]	X	-	838960-4
OBSOLETE	.75 [19.1]	.62 [15.7]	.88 [22.4]	-	X	838960-3
OBSOLETE	.88 [22.4]	.62 [15.7]	1.00 [25.4]	X	-	838960-2
OBSOLETE	.88 [22.4]	.62 [15.7]	1.00 [25.4]	-	X	838960-1

DIM C	DIM B	DIM A	PIN GOLD	PIN TIN	PART NUMBER

THIS DRAWING IS A CONTROLLED DOCUMENT.		DWN T. THOMPSON 02SEP98	AMP Incorporated Harrisburg, PA 17105-3608		
DIMENSIONS: IN (MM)	TOLERANCES UNLESS OTHERWISE SPECIFIED:	CHK S. GLATFELTER 02SEP98	NAME S. GLATFELTER 02SEP98		
	0 PLC ±-	APVD S. GLATFELTER 02SEP98	PRODUCT SPEC		
	1 PLC ±-		APPLICATION SPEC		
	2 PLC ±.02 [0.5]		WEIGHT		
	3 PLC ±.005 [0.13]		SCALE 4:1 SHEET 1 OF 1 REV N		
	4 PLC ±-		CUSTOMER DRAWING		
MATERIAL	FINISH		SIZE CAGE CODE DRAWING NO RESTRICTED TO		
			A2 00779 C= 838960		

单击下面可查看定价，库存，交付和生命周期等信息

[>>TE Connectivity\(泰科\)](#)