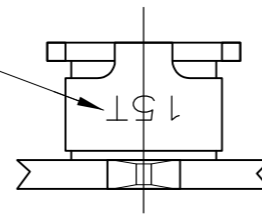


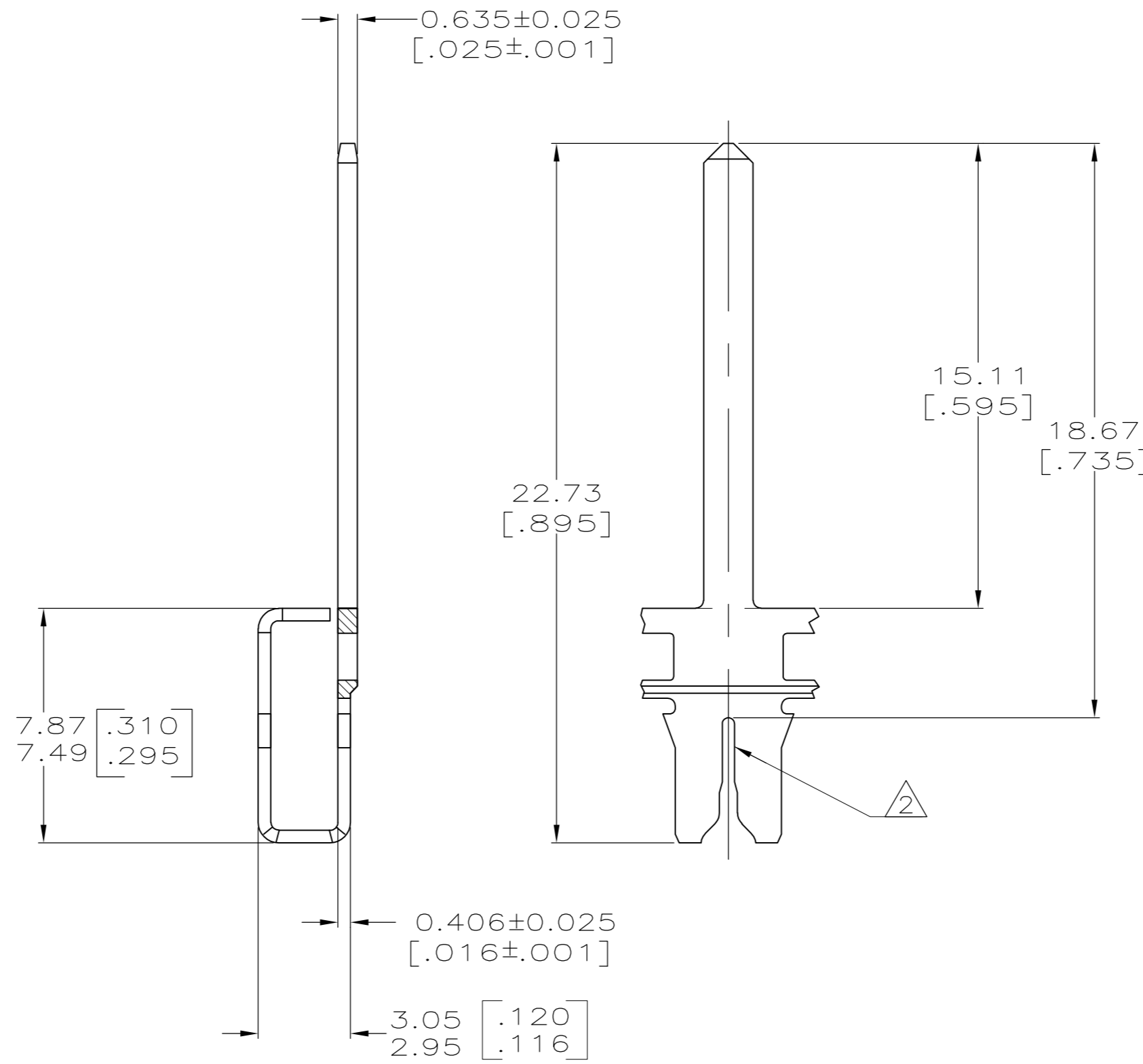
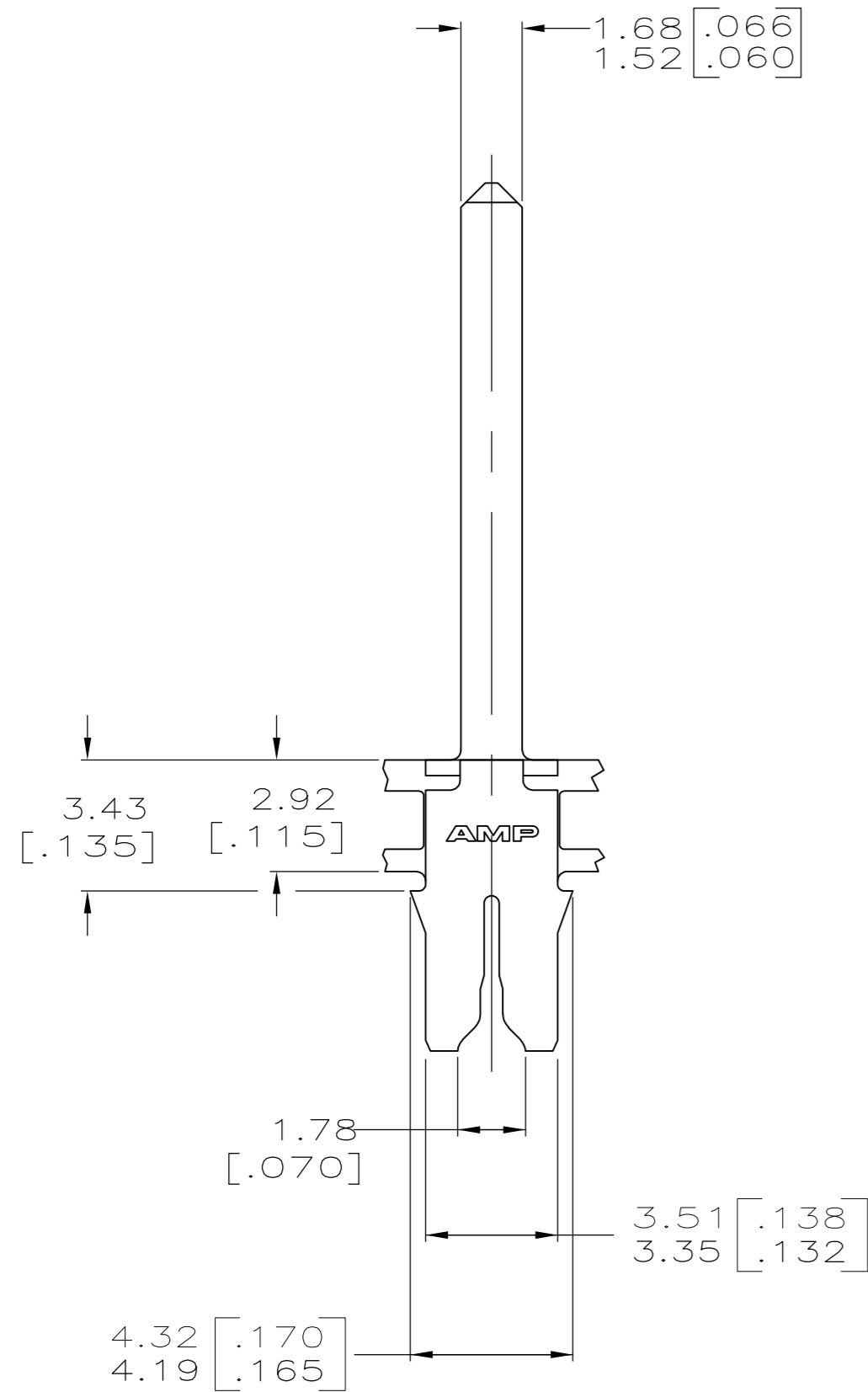
THIS DRAWING IS UNPUBLISHED. RELEASED FOR PUBLICATION  
 © COPYRIGHT - By - ALL RIGHTS RESERVED.

LOC	DIST	REVISIONS					
		P	LTR	DESCRIPTION	DATE	DWN	APVD
AF	50		B1	ECO-14-002653	24FEB14	PKS	RRP

IDENTIFICATION NUMBER 15T FOR MAGNET WIRE RANGE



- 1 CONTINUOUS STRIP ON REELS WITH TERMINALS LOCATED ON 5.59±0.08 [.220±.003] CENTERS.
- 2 SLOT ACCEPTS A 7 STRAND TINSEL WIRE. 0.79±0.08 [.031±.003] DIA.
- 3 AFTER INSERTION INTO PLASTIC HOLDER TAB PORTION MUST BE BENT OVER 45° TO 90°, OR POTTED TO PERVENT PULL-OUT WHEN MATING RECEPTACLE IS DISCONNECTED.



1217595-1  
PART NUMBER

THIS DRAWING IS A CONTROLLED DOCUMENT.		DWN	JR RUTH	23FEB01		TE Connectivity							
DIMENSIONS: INCHES		CHK	MS FEHER	23FEB01		NAME							
TOLERANCES UNLESS OTHERWISE SPECIFIED:		APVD	K RANDOLPH	23FEB01		TAB, 1.60[.063] SERIES, MAG-MATE™							
0 PLC ± - 1 PLC ± - 2 PLC ± 0.25[.010] 3 PLC ± - 4 PLC ± - ANGLES ± -		PRODUCT SPEC	108-2012			SIZE	CAGE CODE	DRAWING NO					
MATERIAL: BRASS		FINISH	TIN PLATED		114-2046	A2	00779	C=1217595	RESTRICTED TO				
CUSTOMER DRAWING					WEIGHT	-		SCALE	6:1	SHEET	1 of 1	REV	B1

单击下面可查看定价，库存，交付和生命周期等信息

[>>TE Connectivity\(泰科\)](#)