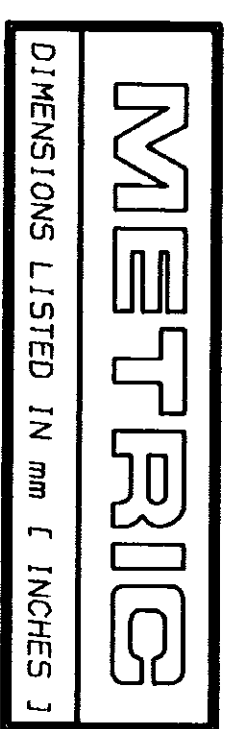
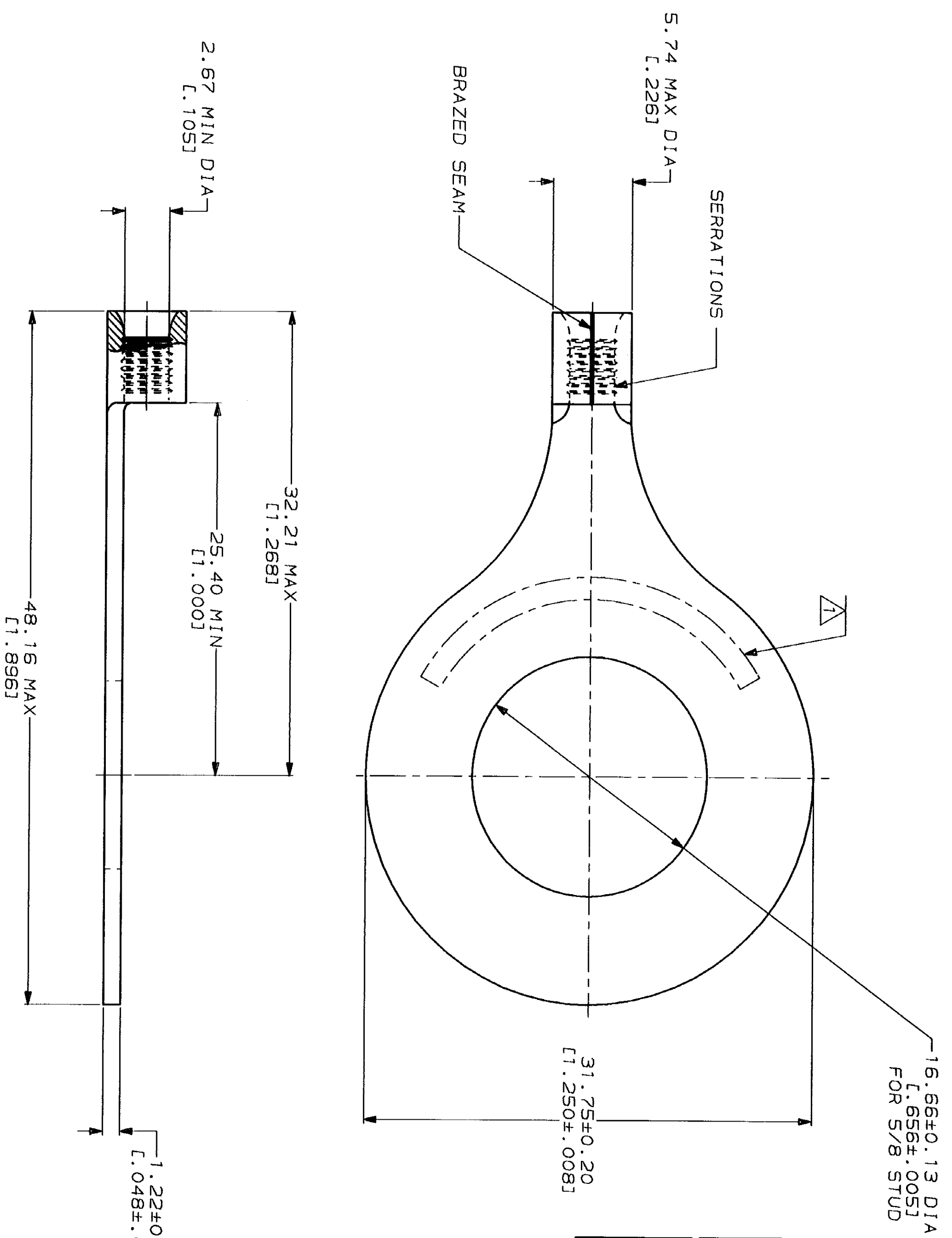


LOC	DIST	REV	DESCRIPTION	DATE	APPD
G	14	P	REV & REDRAWN PER 0720-0040-93	3-17-93	18 DAP



AMP WIRE RANGE	UL E13288 Listed
16-14HD AWG SOLID OR STRANDED	16-14HD AWG STRANDED
LR7189 Certified	MILITARY P/N AND CLASS
16-14HD AWG SOLID OR STRANDED	NOT APPLICABLE

△ STAMP AMP 16-14HD* APPROX AS SHOWN



AMP INCORPORATED CUSTOMER SERVICE SYSTEMS		MAX RECOMMENDED OPERATING TEMPERATURE: 170°C MAX
FOR ADDITIONAL PRODUCT INFORMATION OR COPIES OF DRAWINGS AND TECHNICAL DOCUMENTS	PRODUCT INFORMATION CENTER 1-800-522-6752	VOLTAGE RATING: NOT APPLICABLE
FOR APPLICATION TOOLING INFORMATION	TOOLING ASSISTANCE CENTER 1-800-722-1111	WIRE CROSS SECTIONAL AREA RANGE: 1.04-2.62mm ² [2.050-5.180] CIR MILS SOLID OR STRANDED
FOR ORDER ENTRY	1-800-526-5142	FINISH: TIN PLATE 0.00254 [1.000100] MIN THK PER MIL-T-10727

DO NOT SCALE PRINT. UNLESS SPECIFIED DIMENSIONS IN mm [INCHES] TOLERANCES ON: 1 PLG DEC ± ANGLES ± MATERIAL	DR 3-17-93 TA BRINKMAN CHK 3-17-93 DA PATTERSON APPD 3-17-93 DE MILLER APPD 3-17-93 JL MECKLEY PRODUCT SPEC
FINISH: TIN PLATE 0.00254 [1.000100] MIN THK PER MIL-T-10727	APPLICATION SPEC

AMP AMP Incorporated Harrisburg, PA 17105-3608	NAME: TERMINAL, RING TONGUE, HEAVY DUTY, SOLISTRAND™
SIZE: 00779	CAGE CODE: 00779
SCALE: 4:1	DRAWING NO: 320758
WEIGHT: -	SHEET: 1 OF 1

单击下面可查看定价，库存，交付和生命周期等信息

[>>TE Connectivity\(泰科\)](#)