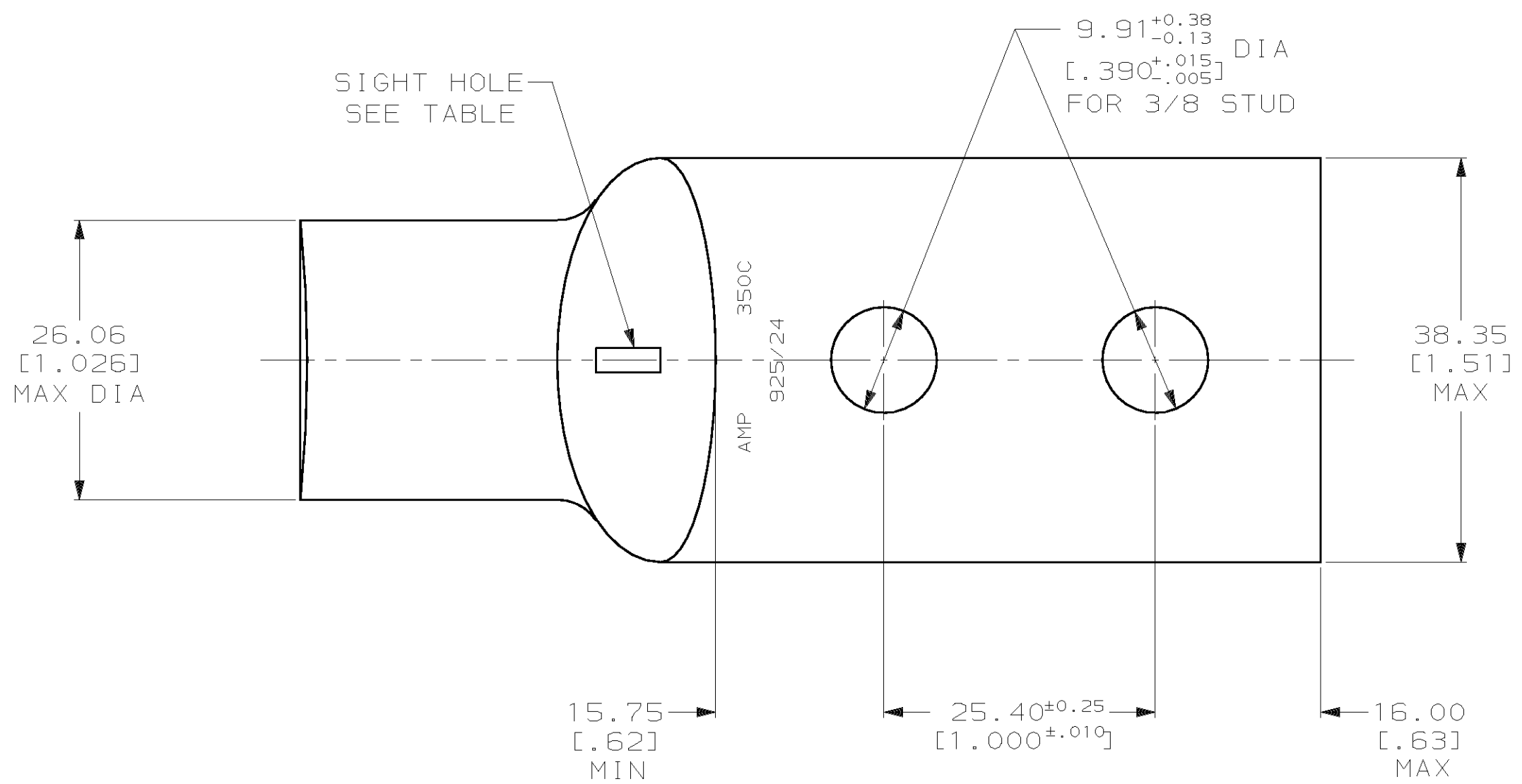
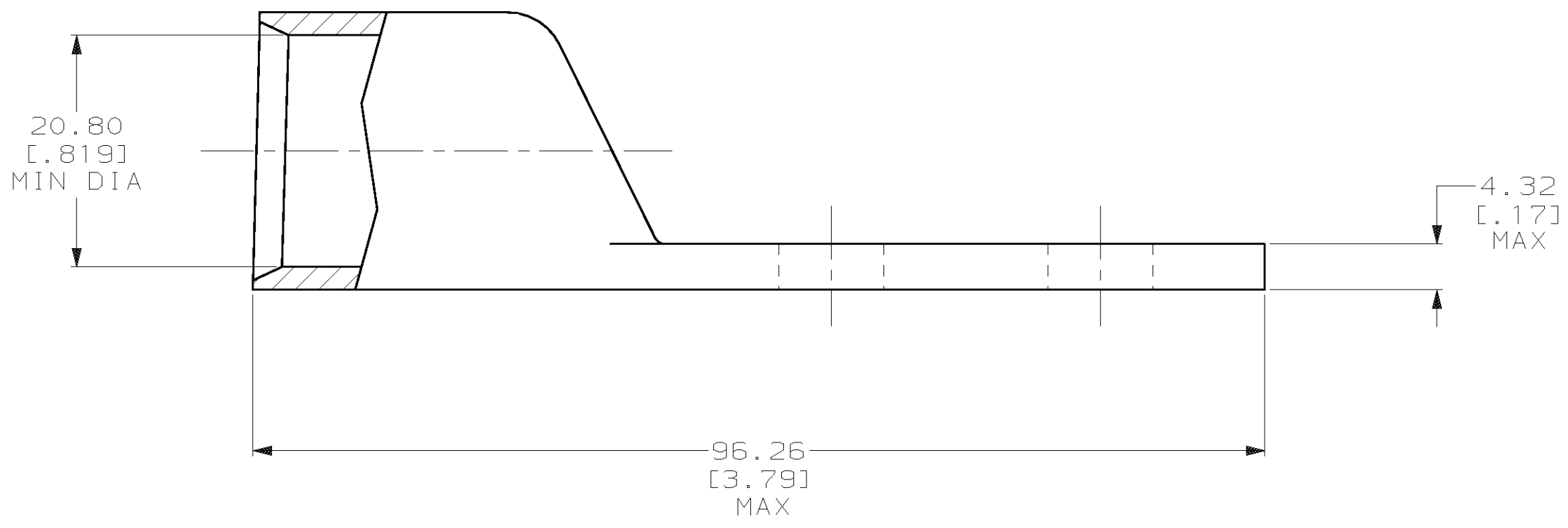


THIS DRAWING IS UNPUBLISHED. RELEASED FOR PUBLICATION, 19 .  
 © COPYRIGHT 19 BY AMP INCORPORATED. ALL INTERNATIONAL RIGHTS RESERVED.

LOC		DIST		P		F		ZONE		LTR		REVISIONS		DATE	APPD
G	86												DESCRIPTION	090CT02	JR/MS
												U	REV PER 0G3A-0561-01		



1 CIRCULAR MIL AREA RANGE: 325-375 MCM  
 2 TIN PL 0.00381 [.000150] MIN THK PER MIL-T-10727



NONE	326806-1
REQUIRED	326806
SIGHT HOLE	PART NO

DO NOT SCALE PRINT. UNLESS SPECIFIED DIMENSIONS IN mm [INCHES] TOLERANCES ON : 2 PLC DEC ± 0.51 [.020] 3 PLC DEC ± - ANGLES ± -	DR 02/28/90 DK SCHRUM
MATERIAL ANNEALED COPPER ASTM B-75	CHK 23JAN95 MS FEHER
FINISH △	APPD 23JAN95 WJ VOCKROTH
	APPD 23JAN95 TL SHUTTER
	PRODUCT SPEC 108-30200
	APPLICATION SPEC -
	WEIGHT .259 LB

AMP INCORPORATED Harrisburg, Pa. 17105		NAME	
		TERMINAL, AMPPOWER™ WIRE SIZE: 350 MCM	
SIZE <b>C</b>	CAGE CODE 00779	DRAWING NO 326806	
SCALE 2:1		SHEET	1 OF 1



单击下面可查看定价，库存，交付和生命周期等信息

[>>TE Connectivity\(泰科\)](#)