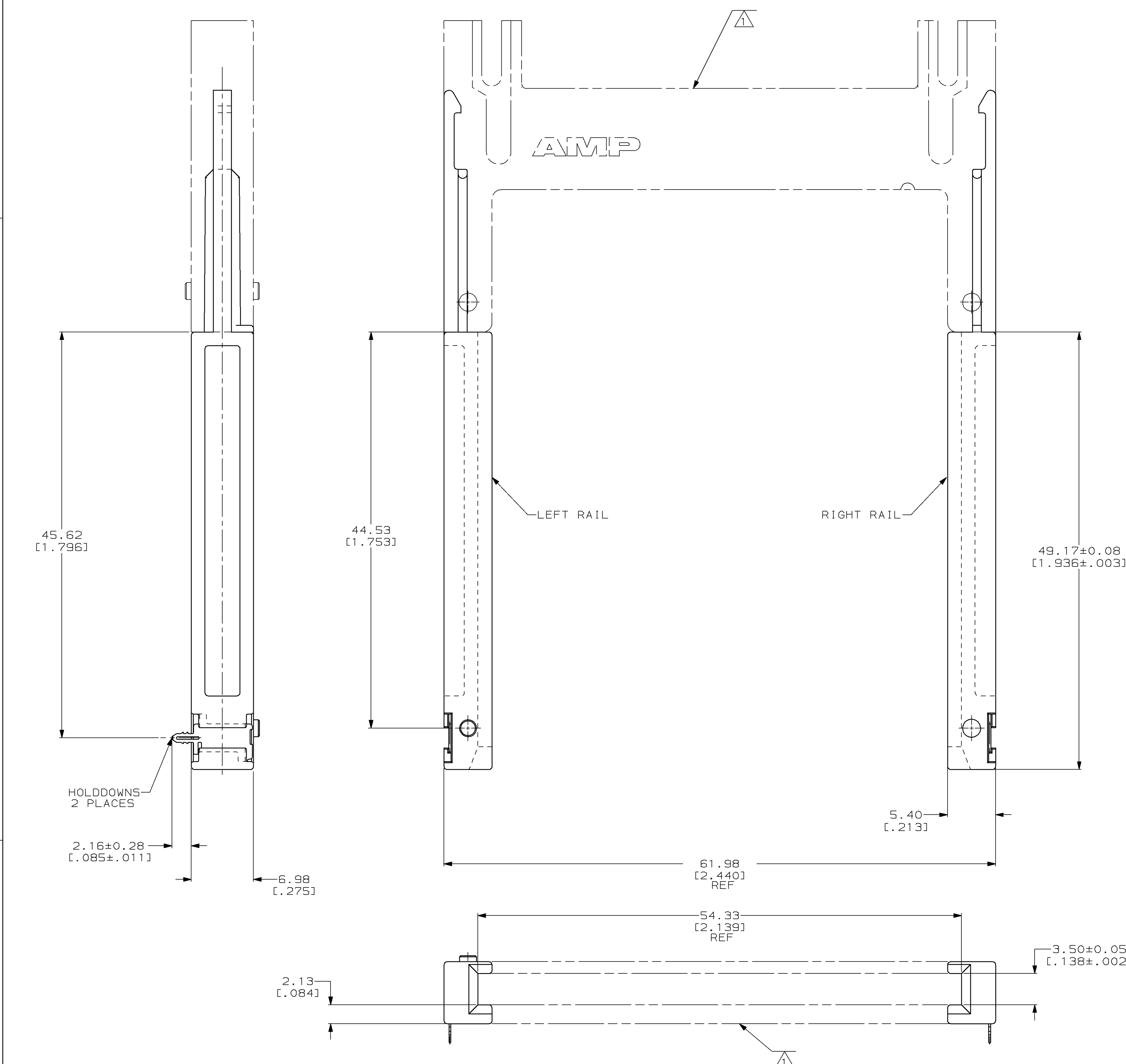
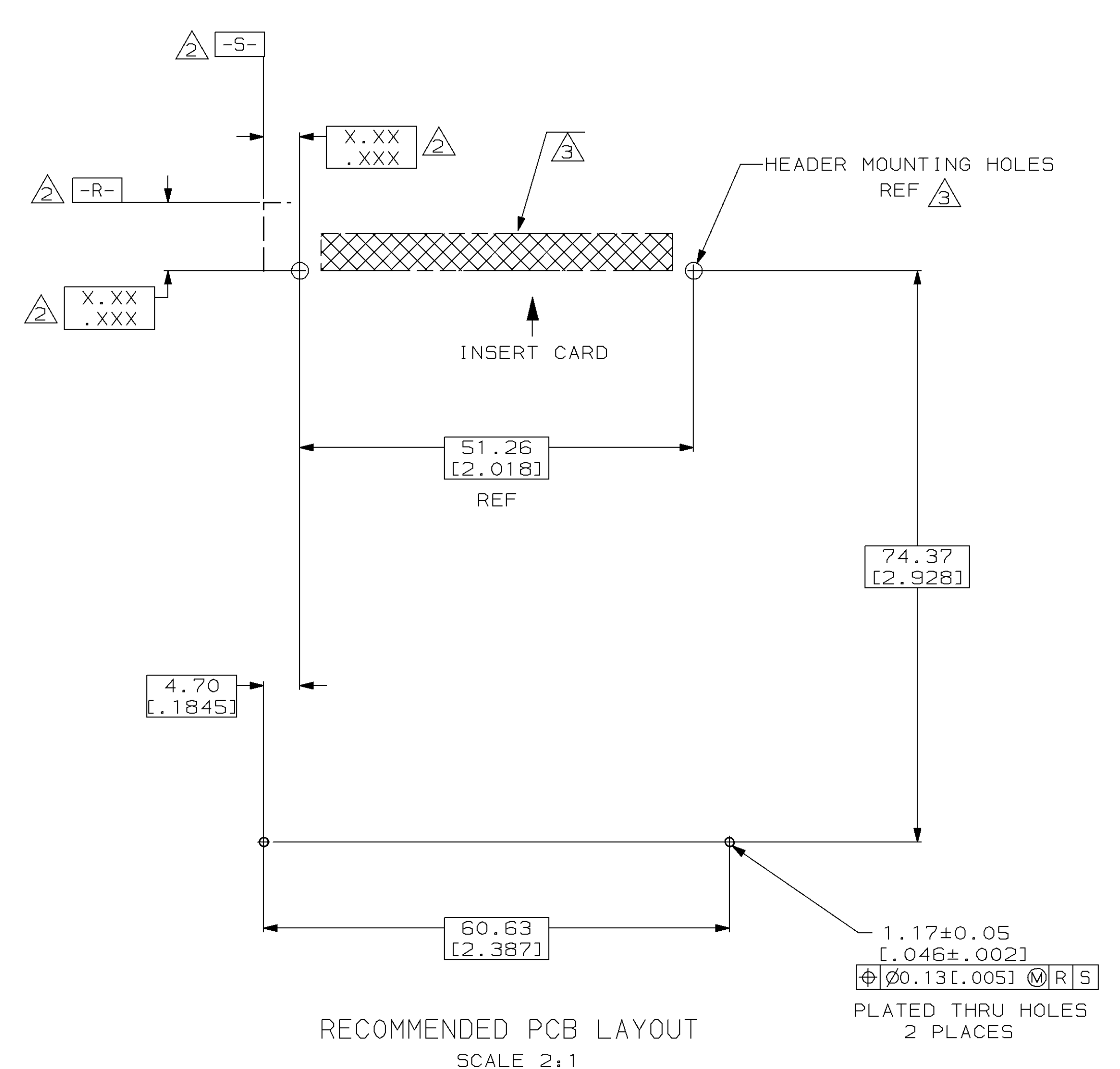


LOC		DIST		ZONE		LTR		REVISIONS		DATE	APPD
AD	39							0	RELEASED PER PPR	3/8/93	BE



- 1 SMT OR THRU-HOLE HEADER ASSY NOT SUPPLIED AND MUST BE ORDERED SEPERATELY. CONTACT AMP INCORPORATED FOR HEADER PART NUMBER
- 2 DATUMS AND BASIC DIMENSIONS ESTABLISHED BY CUSTOMER
- 3 FOR HEADER PC BOARD LAYOUT SEE APPROPRIATE HEADER ASSEMBLY



RIGHT GUIDE RAIL WITH HOLDDOWN	535664-2
LEFT GUIDE RAIL WITH HOLDDOWN	535664-1
DESCRIPTION	PART NO

DO NOT SCALE PRINT. UNLESS SPECIFIED DIMENSIONS IN mm [INCHES]		DR 3/8/93 J MOSER		AMP Incorporated Harrisburg, PA 17105-3608	
TOLERANCES ON:		CHK 3/8/93 B ELICKER			
2 PLC DEC ± 0.13 [0.005]		APPD 3/8/93 B ELICKER		NAME	
3 PLC DEC ± -		APPD 3/8/93 B FLINCHBAUGH		GUIDE RAILS, EXTENDED, WITH THRU-HOLE HOLDDOWNS, AMP MEMORY CARD	
ANGLES ± -		PRODUCT SPEC		SIZE	
MATERIAL		APPLICATION SPEC		CAGE CODE	
RAIL: LCP - COLOR: BLACK HOLD DOWNS: PHOSPHOR BRONZE		WEIGHT 2.1 GRAMS		DRAWING NO	
FINISH		SCALE 4:1		D 00779	
HOLD DOWNS: TIN		SHEET 1 OF 1		C=535664	

THIS DRAWING IS A CONTROLLED DOCUMENT FOR AMP INCORPORATED. IT IS SUBJECT TO CHANGE AND THE CONTROLLING ENGINEERING ORGANIZATION SHOULD BE CONTACTED FOR THE LATEST REVISION.

单击下面可查看定价，库存，交付和生命周期等信息

[>>TE Connectivity\(泰科\)](#)