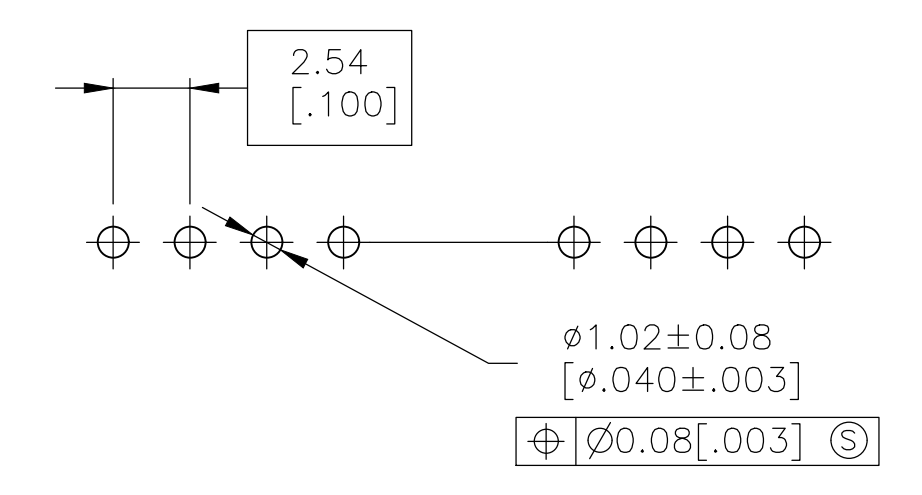
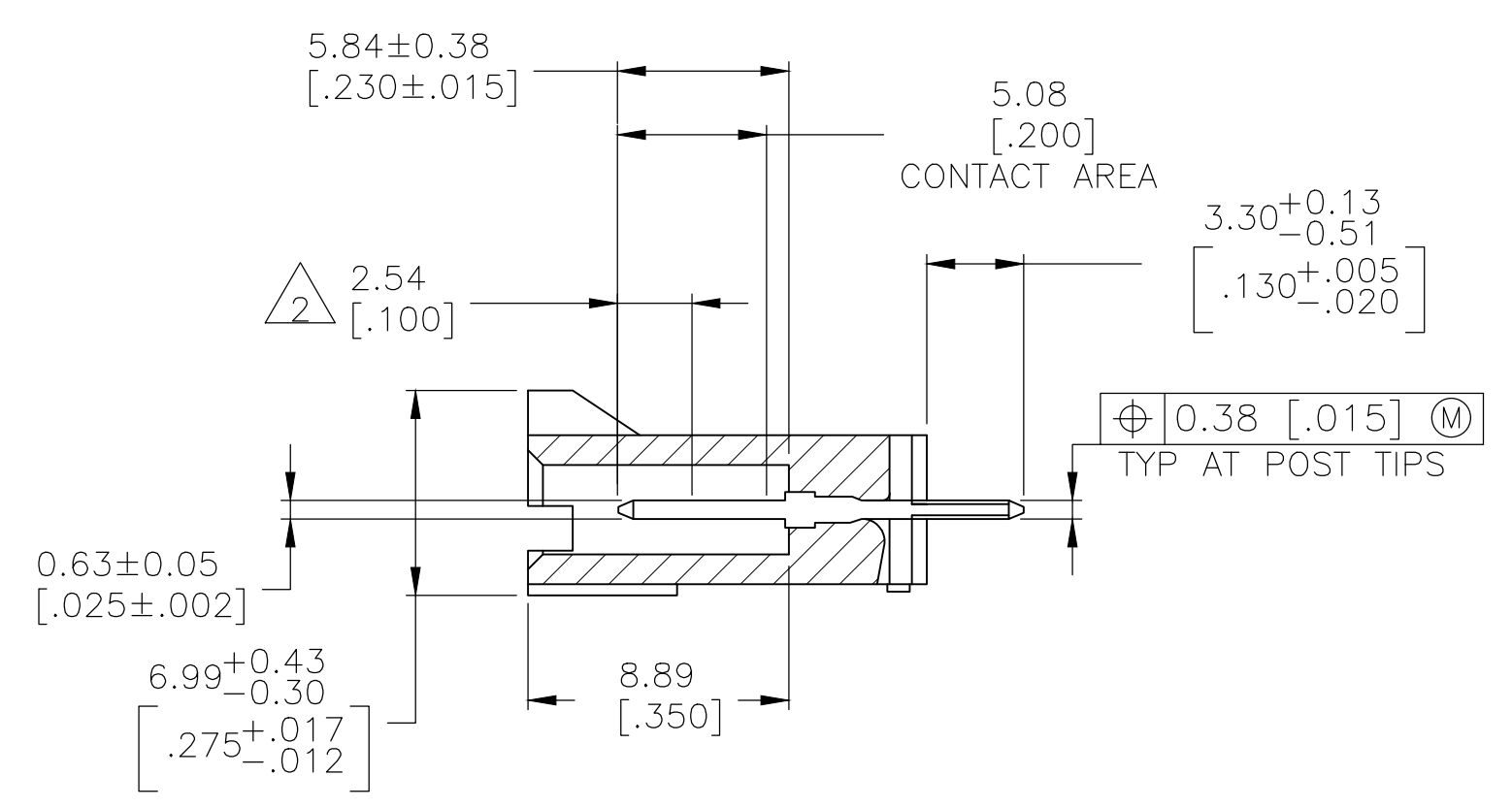
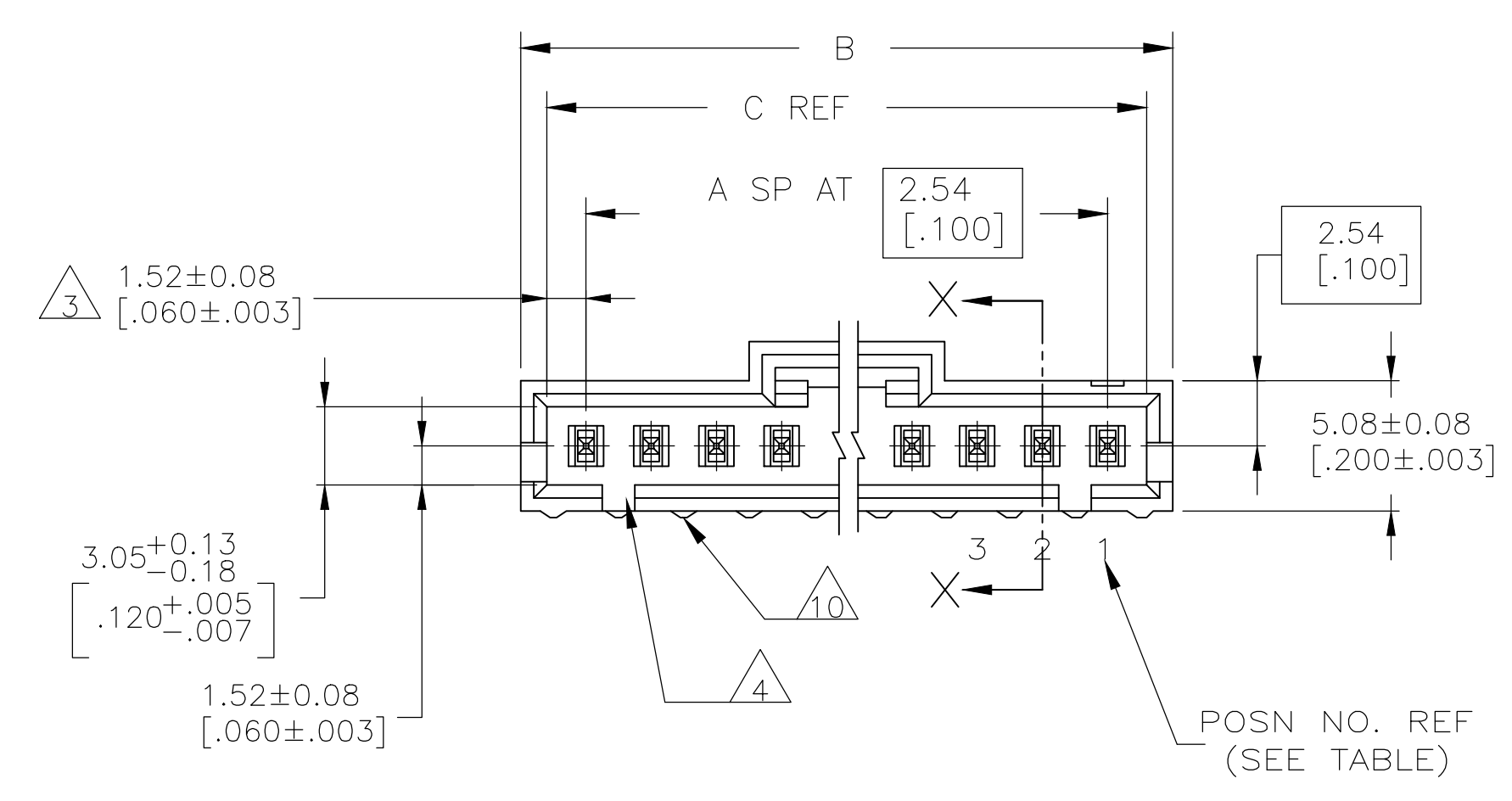
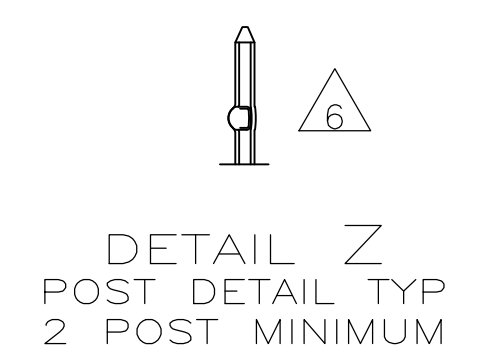
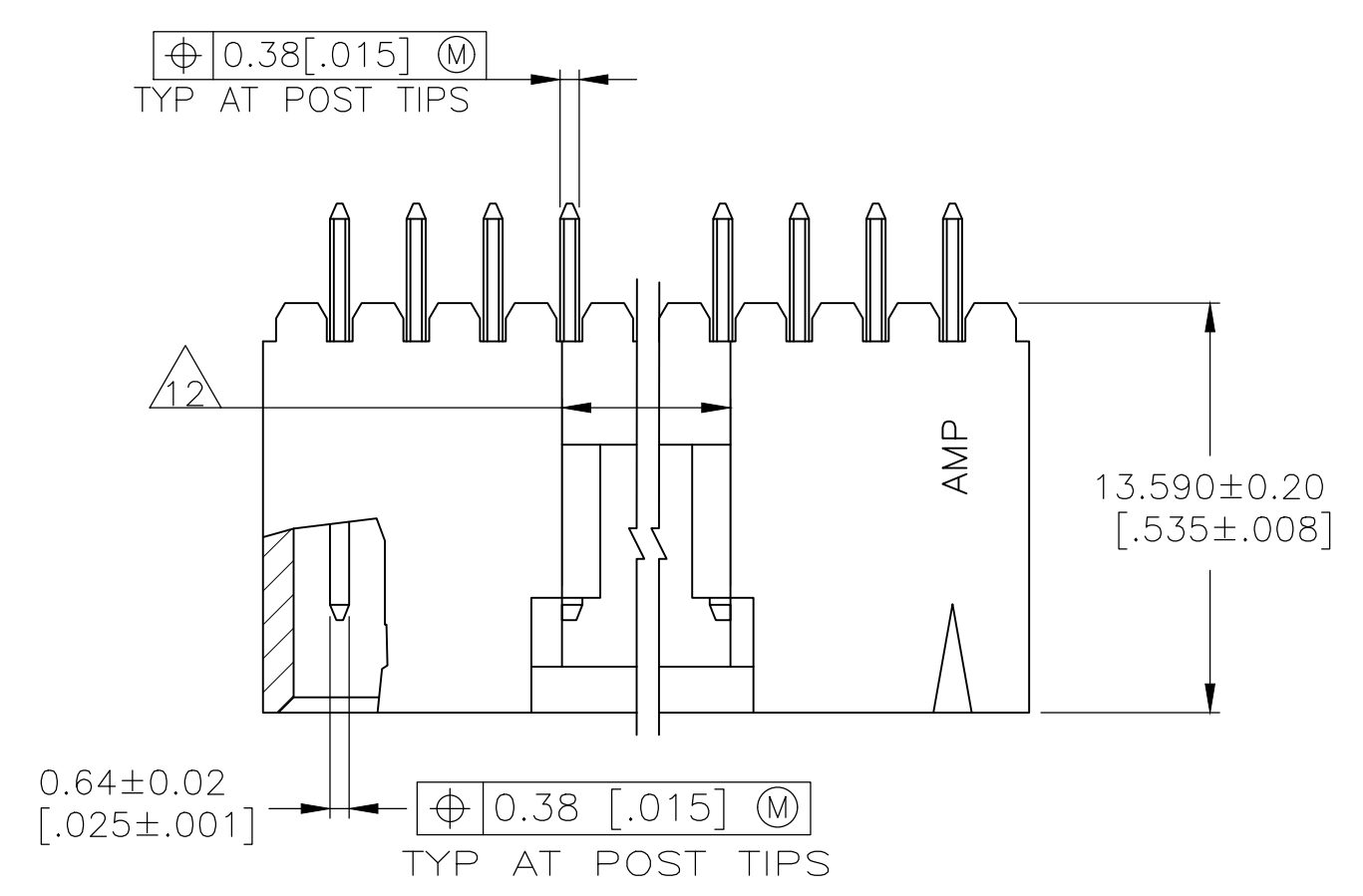


REVISIONS					
P	LTR	DESCRIPTION	DATE	DNW	APVD
G		REVISED PER ECO-20-001327	05JUN2020	SB	JO



- 1 .00038[.000015] GOLD IN THE CONTACT AREA, .00254[.000100] MATTE TIN-LEAD ON REMAINDER OF CONTACT, ALL OVER .00127[.000050] NICKEL.
- 2 POINT OF MEASUREMENT FOR PLATING THICKNESS.
- 3 THE NOTED DIMENSIONS APPLY AT THE INTERSECTION OF THE POST AND THE HOUSING.
- 4 ON ASSEMBLIES WITH FOUR OR MORE POSITIONS, TWO POLARIZATION SLOTS. ON ASSEMBLIES WITH TWO OR THREE POSITIONS, ONE POLARIZATION SLOT.
- 5 HOUSING: FLAME RETARDANT LCP, COLOR-BLACK. CONTACTS: BRASS.
- 6 SELECT POST TAILS FORMED TO PROVIDE CONNECTOR HOLD-DOWN UNTIL SOLDERED. CONFIGURATION ACCEPTS 0.69-2.03 [.027-.080] THICK PRINTED CIRCUIT BOARD.
- 7 PRELIMINARY PART-NOT RELEASED FOR PRODUCTION.
- 8 .00038[.000015] GOLD IN THE CONTACT AREA, .00254[.000100] MATTE TIN ON REMAINDER OF CONTACT, ALL OVER .00127[.000050] NICKEL.
- 9 HIGH TEMPERATURE CONFIGURATION.
- 10 STANDOFFS NOT PRESENT ON UNDERSIDE OF ASSEMBLY.
- 11 OBSOLETE PARTS: OBSOLETE CIS STREAMLINING PER D.RENAUD/D.SINISI
- 12 0.25 [.010] RECESS PERMISSIBLE IN THIS AREA FOR MOLD SHUT OFF

11/7	OBSOLETE	9/10	8	5,7,9,11,14,17	48.77 [1.920]	50.67 [1.995]	18	19	-5-147321-4-
11	OBSOLETE	9/10	8	3,6,9,12,15	43.69 [1.720]	45.59 [1.795]	16	17	-5-147321-3-
11/7	OBSOLETE	9/10	8	2,3,4,5,6	18.29 [.720]	20.19 [.795]	6	7	-5-147321-2-
11	OBSOLETE	9/10	8	4,5	25.91 [1.020]	27.81 [1.095]	9	10	-5-147321-1-
7		9	1	19	51.31 [2.020]	53.21 [2.095]	19	20	147321-6
7		9	1	2	41.15 [1.620]	43.05 [1.695]	15	16	147321-5
7		9	1	5,7,9,11,14,17	48.77 [1.920]	27.81 [1.095]	18	19	147321-4
		9	1	3,6,9,12,15	43.69 [1.720]	45.59 [1.795]	16	17	147321-3
7		9	1	2,3,4,5,6	18.29 [.720]	20.19 [.795]	6	7	147321-2
11	OBSOLETE	9	1	4,5	25.91 [1.020]	27.81 [1.095]	9	10	-147321-1-
	REMARKS	PLATING	POST NUMBER OMITTED	C	B	A	NO. OF POSN	PART NO.	

THIS DRAWING IS A CONTROLLED DOCUMENT.

DIMENSIONS: mm [INCHES]  
 TOLERANCES UNLESS OTHERWISE SPECIFIED:  
 0 PLC ± -  
 1 PLC ± -  
 2 PLC ± -  
 3 PLC ± 0.13[.005]  
 4 PLC ± -  
 ANGLES ± -

MATERIAL: 5  
 FINISH: SEE TABLE

DWG: B HAYMAKER 12OCT99  
 CHK: J. MOSIER 12OCT99  
 APVD: J. MOSIER 12OCT99

NAME: HDR ASSY,VERT,SINGLE ROW 2.54[.100]C/L.064[.025]SQPOST,WITH PLZN RETENTIVE POSTS, SELECT LOAD,AMPMODU MTE

SIZE: A1  
 CAGE CODE: 00779  
 DRAWING NO: 147321  
 WEIGHT: -  
 CUSTOMER DRAWING

SCALE: 4:1  
 SHEET: 1 of 1  
 REV: G

单击下面可查看定价，库存，交付和生命周期等信息

[>>TE Connectivity\(泰科\)](#)