

© - TE Connectivity. All Rights Reserved.

| REVISIONS | | | | | |
|-----------|-----|---------------------------|-----------|-----|------|
| P | LTR | DESCRIPTION | DATE | DWN | APVD |
| R4 | | REVISED PER ECO-12-017913 | 10OCT12 | KH | MZ |
| S | | REVISED PER ECO-17-013721 | 16NOV2017 | RS | MZ |
| T | | REVISED PER ECO-20-011880 | 28AUG2020 | SG | MZ |

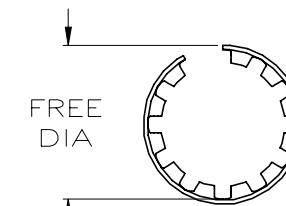
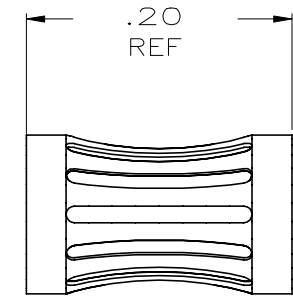
- 1 FINISH-SILVER PLATE 200 | IN THICK MIN.
- 2 FINISH-NICKEL PLATE 40 | IN THICK MIN.
- 3 FINISH-GOLD PLATE 10 | IN THICK MIN.
- 4 FINISH-GOLD PLATE 20 | IN THICK MIN.
- 5 FINISH-GOLD PLATE 80 | IN THICK MIN.
- 6 FINISH-NICKEL PLATE 50 | IN THICK MIN.
- 7 FINISH-GOLD PLATE 50 | IN THICK MIN.
- 8 FINISH-NICKEL PLATE 100 | IN THICK MIN.
- 9 FINISH-TIN PLATE 200 | IN THICK MIN.
- 10 NOT USED.
- 11 PLATING NOTES ARE TO BE INTERPRETED AS FOLLOWS, 6-8 AS 6 OVER 8.
- 12 MATERIAL: CDA17200 BeCu.
- 13 MATERIAL-STAINLESS STEEL.
- 14 PRODUCT IS SOLD BY THE FOOT.
- 15 COIL TO 3 INCH INSIDE DIAMETER.
- 16 MATERIAL: CDA 17410 BeCu.
- 17 OBSOLETE PART NUMBER
- 18 MATERIAL CERTIFICATION REQUIRED.
- 19 OBSOLETE PARTS: OBSOLETE CIS STREAMLINING PER D.RENAUD/D.SINISI

| PIN # | LENGTH | STYLE | FREE DIA | (LH) | NUM LOUV | PLATING (NOTE) | MAT'L (NOTE) | MAT'L THK | REF | | | |
|--------------------------|----------|-------|----------|--------|----------|----------------|--------------|------------|------------|------------|------------|----------|
| [.062] | | -- | A | [.09] | [.016] | 7 | UNPL | 12 | 0.12[.005] | 05018 | 5-192044-0 | |
| [.062] | | -- | A | [.09] | [.016] | 8 | 7-2 | 12 | 0.10[.004] | 05069 | 4-192044-9 | OBSOLETE |
| [.062] | | -- | A | [.09] | [.016] | 8 | UNPL | 12 | 0.10[.004] | 05107 | 4-192044-8 | |
| [.062] | | -- | A | [.09] | [.018] | 7 | 4-2 | 12 | 0.10[.004] | 05111 | 4-192044-7 | OBSOLETE |
| [.062] | | -- | A | [.09] | [.018] | 7 | UNPL | 12 | 0.10[.004] | 05110 | 4-192044-6 | OBSOLETE |
| [.047] | | -- | A | [.09] | [.016] | 7 | 7-2 | 12 | 0.12[.005] | 05006 | 4-192044-5 | |
| [.062] | | -- | A | [.09] | [.016] | 6 | 3-2 | 12 | 0.12[.005] | 05005 | 4-192044-4 | |
| [.040] | | -- | A | [.09] | [.015] | 6 | 7-2 | 12 | 0.12[.005] | 05004 | 4-192044-3 | OBSOLETE |
| [.032] | | -- | A | [.06] | [.020] | 4 | UNPL | 13 | 0.12[.005] | 05041 | 4-192044-2 | OBSOLETE |
| [.030] | | -- | A | [.06] | [.018] | 4 | 3-2 | 12 | 0.12[.005] | 05039 | 4-192044-1 | |
| [.030] | | -- | A | [.06] | [.018] | 4 | 1-2 | 12 | 0.12[.005] | 05033 | 4-192044-0 | OBSOLETE |
| [.030] | | -- | A | [.06] | [.018] | 4 | UNPL | 12 | 0.12[.005] | 05030 | 3-192044-9 | OBSOLETE |
| NOT AVAILABLE | | C | -- | [.027] | | 3 | 3-2 | 12 | 0.12[.005] | 05003 | 3-192044-8 | OBSOLETE |
| -- | | -- | C | -- | [.027] | 73 | 1-2 | 14 | 0.10[.004] | 05152 | 3-192044-7 | |
| -- | | -- | C | -- | [.027] | 73 | UNPL | 14 | 0.10[.004] | 05161 | 3-192044-6 | |
| -- | | -- | C | -- | [.022] | 21 | 1-2 | 12 | 0.12[.005] | 05169 | 3-192044-5 | |
| -- | | -- | C | -- | [.022] | 21 | UNPL | 12 | 0.12[.005] | 05168 | 3-192044-4 | |
| -- | | -- | C | -- | [.022] | 17 | UNPL | 12 | 0.12[.005] | -- | 3-192044-3 | |
| -- | | -- | C | -- | [.022] | 17 | 5-6 | 12 | 0.12[.005] | 05127 | 3-192044-2 | |
| -- | | -- | C | -- | [.022] | 13 | 1-2 | 12 | 0.12[.005] | 05136 | 3-192044-1 | |
| -- | 15 [72] | C | -- | [.022] | -- | 4-2 | 12 | 0.10[.004] | 05116 | 3-192044-0 | | |
| -- | 15 [144] | C | -- | [.022] | -- | UNPL | 12 | 0.10[.004] | 05117 | 2-192044-9 | | |
| -- | [72] | C | -- | [.022] | -- | 1-2 | 12 | 0.10[.004] | 05181 | 2-192044-8 | | |
| SUPERSEDED BY 193792-2 | | | | | | | | | | 05159 | 2-192044-7 | |
| SUPERSEDED BY 193792-1 | | | | | | | | | | 05158 | 2-192044-6 | |
| -- | NOTE 14 | C | -- | [.022] | -- | 3-2 | 12 | 0.15[.006] | 05001 | 2-192044-5 | | |
| -- | NOTE 14 | C | -- | [.022] | -- | UNPL | 12 | 0.15[.006] | 05150 | 2-192044-4 | | |
| -- | NOTE 14 | C | -- | [.018] | -- | 1-2 | 12 | 0.15[.006] | 05000 | 2-192044-3 | | |
| -- | NOTE 14 | C | -- | [.018] | -- | UNPL | 12 | 0.15[.006] | 05058 | 2-192044-2 | | |
| -- | NOTE 14 | C | -- | [.022] | -- | 3-2 | 12 | 0.12[.005] | 05035 | 2-192044-1 | | |
| SUPERSEDED BY 1-192044-9 | | | | | | | | | | 05095 | 2-192044-0 | |
| -- | NOTE 14 | C | -- | [.022] | -- | 1-2 | 12 | 0.12[.005] | 05063 | 1-192044-9 | | |
| -- | NOTE 14 | C | -- | [.022] | -- | UNPL | 12 | 0.12[.005] | 05037 | 1-192044-8 | | |
| -- | NOTE 14 | C | -- | [.018] | -- | 3-2 | 12 | 0.12[.005] | 05036 | 1-192044-7 | | |
| -- | NOTE 14 | C | -- | [.018] | -- | 1-2 | 12 | 0.12[.005] | 05080 | 1-192044-6 | | |
| -- | NOTE 14 | C | -- | [.018] | -- | UNPL | 12 | 0.12[.005] | 05034 | 1-192044-5 | | |
| -- | NOTE 14 | C | -- | [.022] | -- | UNPL | 14 | 0.12[.005] | 05139 | 1-192044-4 | | |
| -- | NOTE 14 | C | -- | [.022] | -- | UNPL | 14 | 0.10[.004] | 05142 | 1-192044-3 | | |
| NOT AVAILABLE | | | | | | | | | | | 1-192044-2 | |
| NOT AVAILABLE | | | | | | | | | | | 1-192044-1 | |
| NOT AVAILABLE | | | | | | | | | | | 1-192044-0 | |
| NOT AVAILABLE | | | | | | | | | | | 192044-9 | |
| NOT AVAILABLE | | | | | | | | | | | 192044-8 | |
| NOT AVAILABLE | | | | | | | | | | | 192044-7 | |
| NOT AVAILABLE | | | | | | | | | | | 192044-6 | |
| NOT AVAILABLE | | | | | | | | | | | 192044-5 | |
| NOT AVAILABLE | | | | | | | | | | | 192044-4 | |
| NOT AVAILABLE | | | | | | | | | | | 192044-3 | |
| NOT AVAILABLE | | | | | | | | | | | 192044-2 | |
| NOT AVAILABLE | | | | | | | | | | | 192044-1 | |
| PIN # | LENGTH | STYLE | FREE DIA | (LH) | NUM LOUV | PLATING (NOTE) | MAT'L (NOTE) | MAT'L THK | REF | | | |

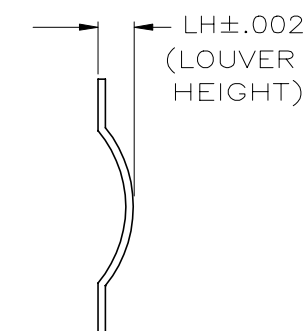
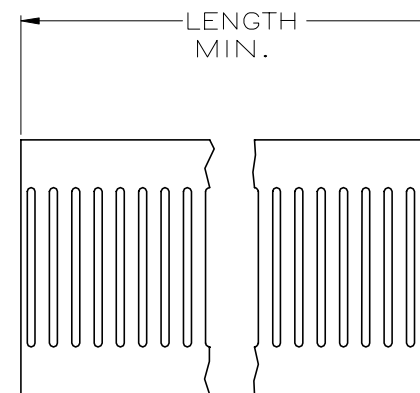
| | | | | |
|--|------------------|---|---------------------------------|--|
| THIS DRAWING IS A CONTROLLED DOCUMENT. | | DWN RA JAYNE 12-13/91 | STE TE Connectivity Ltd. | |
| DIMENSIONS: INCHES | | CHK J.TURNER 08-04-93 | | |
| TOLERANCES UNLESS OTHERWISE SPECIFIED: | | APVD S. SIEGRIST 8/5/93 | NAME | |
| 0 PLC ± - | | PRODUCT SPEC | | |
| 1 PLC ± - | | APPLICATION SPEC | | |
| 2 PLC ± .02 | | SIZE CAGE CODE DRAWING NO RESTRICTED TO | | |
| 3 PLC ± .010 | | A2 00779 C-192044 | | |
| 4 PLC ± - | | CUSTOMER DRAWING SCALE NTS SHEET 1 OF 2 REV T | | |
| ANGLES ± - | | | | |
| MATERIAL SEE TABLE | FINISH SEE TABLE | WEIGHT - | | |

| REVISIONS | | | | |
|-----------|-----|-------------|------|------|
| P | LTR | DESCRIPTION | DATE | APVD |
| - | - | SEE SHEET 1 | - | - |

| FREE DIA | (LH) | STYLE | LENGTH | MATING | NUM LOUV | PLATING (NOTE) | MAT'L (NOTE) | MAT'L THK | REF | PART NO. | | | |
|--------------------------|--------|-------|--------|--------|----------|----------------|--------------|------------|-------|------------|------------|----------|-----|
| [.20] | [.022] | A | -- | [.157] | 18 | 3-2 | 12 | 0.12[.005] | 05013 | 9-192044-9 | | | |
| [.20] | [.022] | A | -- | [.157] | 18 | 1-2 | 12 | 0.12[.005] | 05130 | 9-192044-8 | | | |
| [.20] | [.022] | A | -- | [.157] | 18 | UNPL | 12 | 0.12[.005] | 05131 | 9-192044-7 | | | |
| [.20] | [.018] | A | -- | [.152] | 16 | 7-2 | 12 | 0.15[.006] | 05012 | 9-192044-6 | | | |
| [.20] | [.018] | A | -- | [.150] | 16 | 7-2 | 12 | 0.12[.005] | 05011 | 9-192044-5 | OBSOLETE | | |
| [.19] | [.018] | A | -- | [.143] | 17 | 3-2 | 12 | 0.12[.005] | 05098 | 9-192044-4 | | | |
| [.19] | [.018] | A | -- | [.143] | 17 | 1-2 | 12 | 0.12[.005] | 05188 | 9-192044-3 | | | |
| [.19] | [.018] | A | -- | [.143] | 17 | UNPL | 12 | 0.12[.005] | 05153 | 9-192044-2 | | | |
| [.16] | [.015] | -- | -- | [.125] | 14 | 3-2 | 12 | 0.15[.006] | 05010 | 9-192044-1 | △19 | | |
| [.16] | [.015] | -- | -- | [.125] | 14 | 1-2 | 12 | 0.15[.006] | 05057 | 9-192044-0 | | | |
| [.15] | [.015] | A | -- | [.125] | 14 | UNPL | 12 | 0.15[.006] | 05154 | 8-192044-9 | | | |
| [.15] | [.015] | A | -- | [.125] | 13 | UNPL | 12 | 0.15[.006] | 05047 | 8-192044-8 | | | |
| [.15] | [.022] | A | -- | [.125] | 13 | UNPL | 13 | 0.12[.005] | 05026 | 8-192044-7 | | | |
| SUPERSEDED BY 193670-4 | | | | | | | | | | 05183 | 8-192044-6 | OBSOLETE | △19 |
| [.16] | [.015] | A | -- | [.125] | 14 | 7-2 | 12 | 0.12[.005] | 05109 | 8-192044-5 | | | |
| [.16] | [.015] | A | -- | [.125] | 14 | 3-2 | 12 | 0.12[.005] | 05060 | 8-192044-4 | | | |
| [.16] | [.015] | A | -- | [.125] | 14 | 1-2 | 12 | 0.12[.005] | 05061 | 8-192044-3 | | | |
| [.16] | [.015] | A | -- | [.125] | 14 | UNPL | 12 | 0.12[.005] | 05062 | 8-192044-2 | OBSOLETE | △19 | |
| [.16] | [.018] | A | -- | [.125] | 14 | 4-2 | 12 | 0.10[.004] | 05132 | 8-192044-1 | | | |
| [.16] | [.018] | A | -- | [.125] | 14 | 8 | 12 | 0.10[.004] | 05149 | 8-192044-0 | | | |
| [.16] | [.018] | A | -- | [.125] | 14 | UNPL | 12 | 0.10[.004] | 05070 | 7-192044-9 | | | |
| SUPERSEDED BY 7-192044-9 | | | | | | | | | | 05068 | 7-192044-8 | OBSOLETE | |
| [.20] | [.018] | A | -- | [.125] | 14 | UNPL | 12 | 0.07[.003] | 05079 | 7-192044-7 | | | |
| SUPERSEDED BY 8-192044-4 | | | | | | | | | | -- | 7-192044-6 | OBSOLETE | △19 |
| [.06] | [.022] | A | -- | [.030] | 4 | 3-2 | 12 | 0.10[.004] | 05009 | 7-192044-5 | | | |
| [.06] | [.022] | A | -- | [.030] | 4 | UNPL | 12 | 0.10[.004] | 05008 | 7-192044-4 | | | |
| [.13] | [.018] | A | -- | [.094] | 11 | UNPL | 12 | 0.15[.006] | 05053 | 7-192044-3 | | | |
| [.14] | [.016] | A | -- | [.093] | 12 | 3-2 | 12 | 0.12[.005] | 05126 | 7-192044-2 | OBSOLETE | | |
| [.14] | [.016] | A | -- | [.093] | 12 | 3-2 | 12 | 0.12[.005] | 05160 | 7-192044-1 | | | |
| [.14] | [.016] | A | -- | [.093] | 12 | 1-2 | 12 | 0.12[.005] | 05128 | 7-192044-0 | | | |
| [.14] | [.016] | A | -- | [.093] | 12 | UNPL | 12 | 0.12[.005] | 05125 | 6-192044-9 | | | |
| [.12] | [.022] | A | -- | [.080] | 10 | 8 | 12 | 0.20[.008] | 05173 | 6-192044-8 | OBSOLETE | | |
| [.12] | [.022] | A | -- | [.080] | 10 | 7-2 | 12 | 0.20[.008] | 05124 | 6-192044-7 | | | |
| [.12] | [.022] | A | -- | [.080] | 10 | 3-2 | 12 | 0.20[.008] | 05007 | 6-192044-6 | OBSOLETE | △19 | |
| [.12] | [.022] | A | -- | [.080] | 10 | UNPL | 12 | 0.20[.008] | 05044 | 6-192044-5 | OBSOLETE | △19 | |
| [.12] | [.021] | A | -- | [.080] | 9 | 3-2 | 12 | 0.12[.005] | 05179 | 6-192044-4 | | | |
| [.12] | [.021] | A | -- | [.080] | 9 | UNPL | 12 | 0.12[.005] | 05180 | 6-192044-3 | OBSOLETE | △19 | |
| [.12] | [.018] | A | -- | [.080] | 9 | 7-2 | 12 | 0.10[.004] | 05172 | 6-192044-2 | | | |
| [.12] | [.018] | A | -- | [.080] | 9 | 4-2 | 12 | 0.10[.004] | 05112 | 6-192044-1 | | | |
| [.12] | [.018] | A | -- | [.080] | 9 | 1-2 | 12 | 0.10[.004] | 05118 | 6-192044-0 | | | |
| [.12] | [.018] | A | -- | [.080] | 9 | UNPL | 12 | 0.10[.004] | 05108 | 5-192044-9 | OBSOLETE | △19 | |
| [.09] | [.020] | A | -- | [.065] | 8 | UNPL | 13 | 0.12[.005] | 05031 | 5-192044-8 | OBSOLETE | △17 | |
| [.09] | [.020] | A | -- | [.062] | 7 | UNPL | 13 | 0.12[.005] | 05023 | 5-192044-7 | OBSOLETE | △19 | |
| [.09] | [.015] | A | -- | [.062] | 8 | 3-2 | 12 | 0.12[.005] | 05042 | 5-192044-6 | | | |
| [.09] | [.015] | A | -- | [.062] | 8 | 1-2 | 12 | 0.12[.005] | 05059 | 5-192044-5 | OBSOLETE | | |
| [.09] | [.015] | A | -- | [.062] | 8 | -- | 12 | 0.12[.005] | 05056 | 5-192044-4 | | | |
| [.09] | [.015] | A | -- | [.062] | 8 | UNPL | 12 | 0.12[.005] | 05104 | 5-192044-3 | OBSOLETE | | |
| [.09] | [.016] | A | -- | [.062] | 8 | UNPL | 12 | 0.12[.005] | 05105 | 5-192044-2 | | | |
| [.09] | [.016] | A | -- | [.062] | 7 | 6-2 | 12 | 0.12[.005] | 05106 | 5-192044-1 | | | |



STYLE A
(FEMALE)



STYLE C
(STRIP)

| | | | |
|--|--|---|---------------------------------|
| THIS DRAWING IS A CONTROLLED DOCUMENT. | | DWN RA JAYNE 12-13/91 | STE TE Connectivity Ltd. |
| | | CHK J.TURNER 08-04-93 | |
| DIMENSIONS: INCHES | | APVD S. SIEGRIST 8/5/93 | NAME |
| TOLERANCES UNLESS OTHERWISE SPECIFIED: | | PRODUCT SPEC | |
| 0 PLC ± - | | APPLICATION SPEC | |
| 1 PLC ± - | | SIZE CAGE CODE DRAWING NO RESTRICTED TO | |
| 2 PLC ± .02 | | A2 00779 C-192044 | |
| 3 PLC ± .010 | | CUSTOMER DRAWING SCALE NTS SHEET 2 OF 2 REV T | |
| 4 PLC ± - | | | |
| ANGLES ± - | | | |
| FINISH | | | |
| MATERIAL SEE TABLE | | | |
| SEE TABLE | | | |

单击下面可查看定价，库存，交付和生命周期等信息

[>>TE Connectivity\(泰科\)](#)