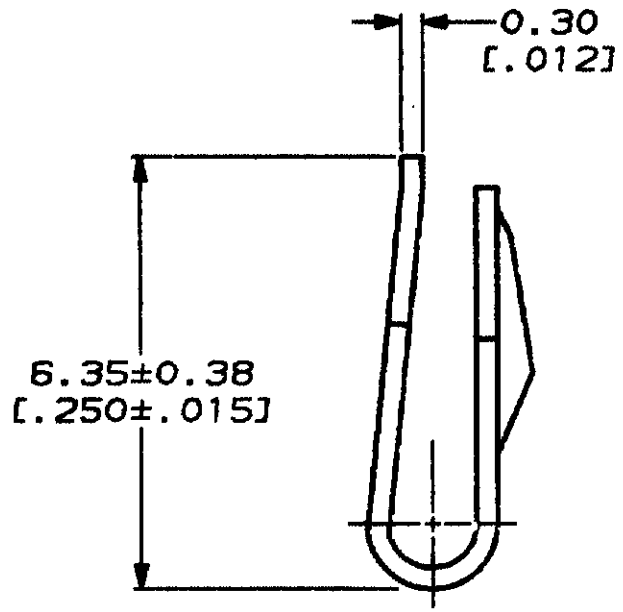
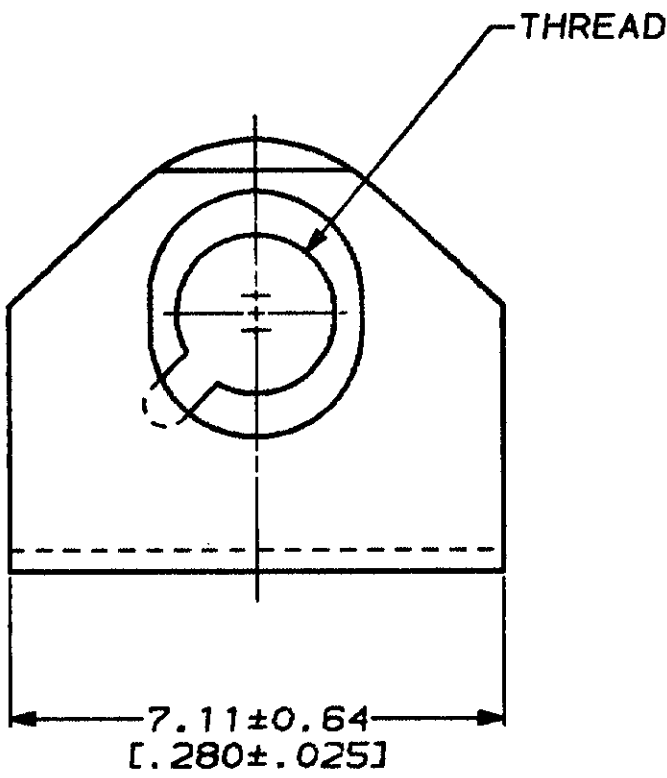


THIS DRAWING IS UNPUBLISHED. RELEASED FOR PUBLICATION, 19

© COPYRIGHT 19 BY AMP INCORPORATED. ALL INTERNATIONAL RIGHTS RESERVED.

MOD	LOC	DIST	P	F	ZONE	LTR	DESCRIPTION	DATE	APPD
8	BD	39				B	REDRAWN & REV PER ECN BD4276	12/10/80	-

1 STAINLESS STEEL PER ASTM A666.



M3 X 0.5	748274-4
4-40	748274-2
THREAD	PART NO

DO NOT SCALE PRINT. UNLESS SPECIFIED DIMENSIONS IN MM (INCHES) TOLERANCES ON: 2 PLC DEC * 0.13 (.005) 3 PLC DEC * - ANGLES * -	DR 12/10/80 B. NOYER
MATERIAL	CHK <i>J. Mellish</i> 1-3-91
FINISH	APPD <i>Bob Doh</i> 1/14/91
	APPD <i>Don</i> 1/14/91
	PRODUCT SPEC
	APPLICATION SPEC
	WEIGHT -

AMP AMP Incorporated Harrisburg, PA 17105-3608		
NAME SCREW RETAINER CLIP, AMPLIMITE™		
SIZE	CAGE CODE	DRAWING NO
B	00779	748274
SCALE	SHEET	
10:1	1 OF 1	

单击下面可查看定价，库存，交付和生命周期等信息

[>>TE Connectivity\(泰科\)](#)