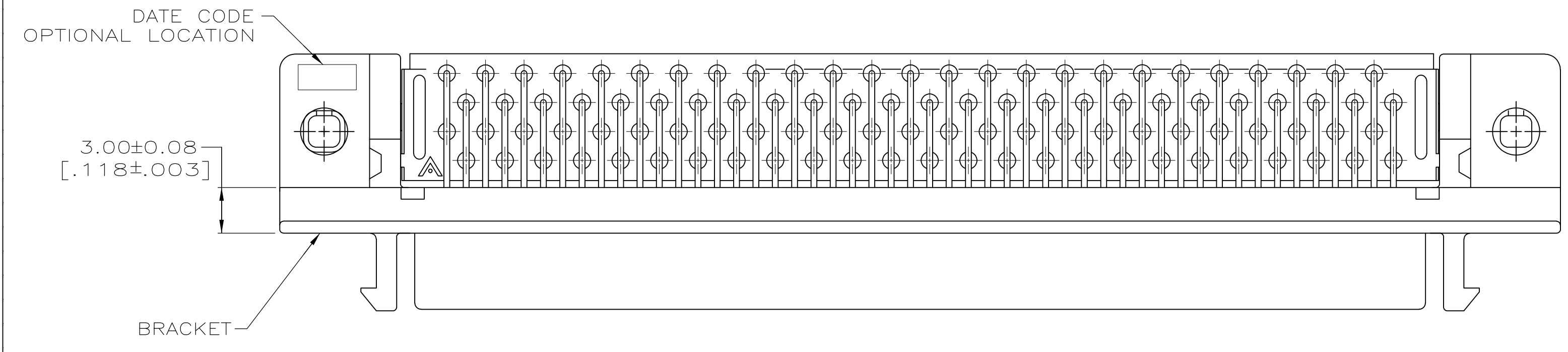
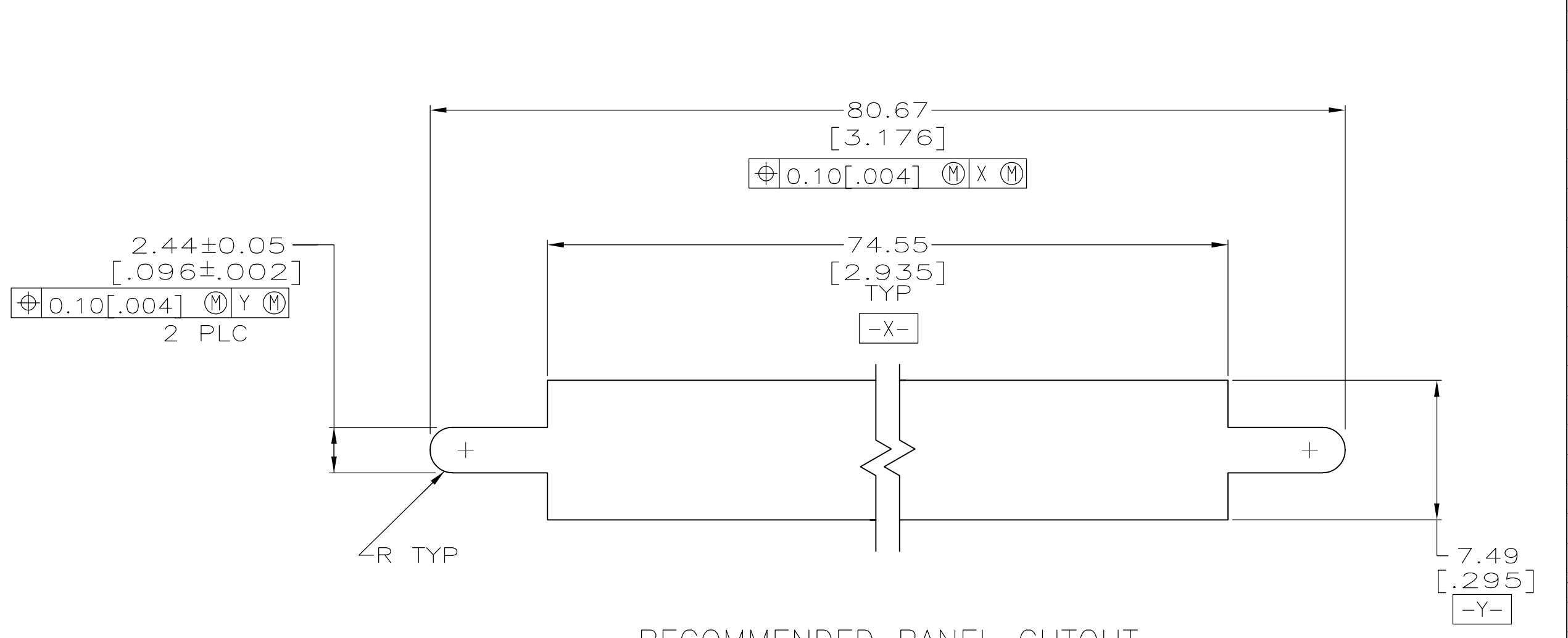
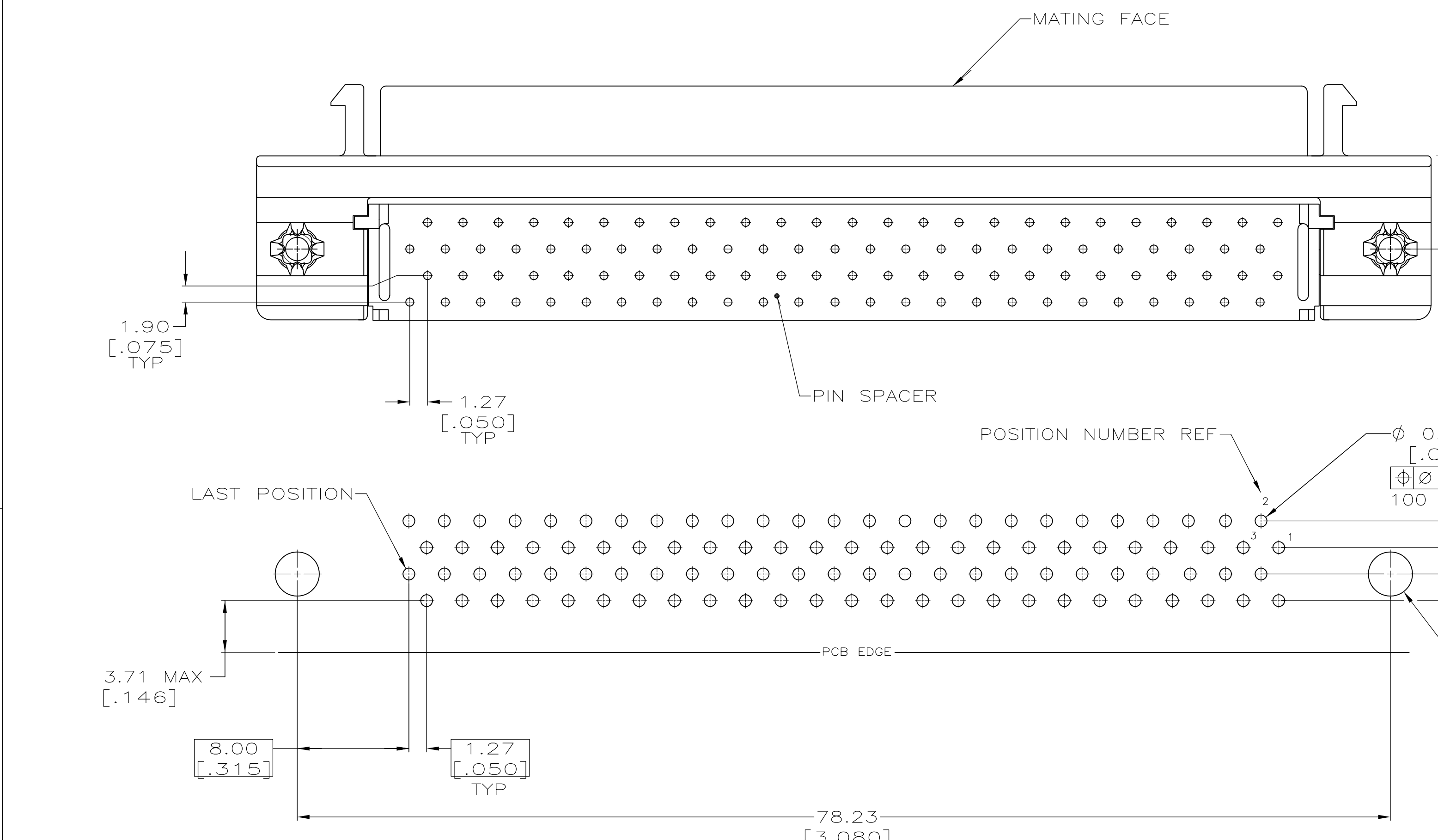
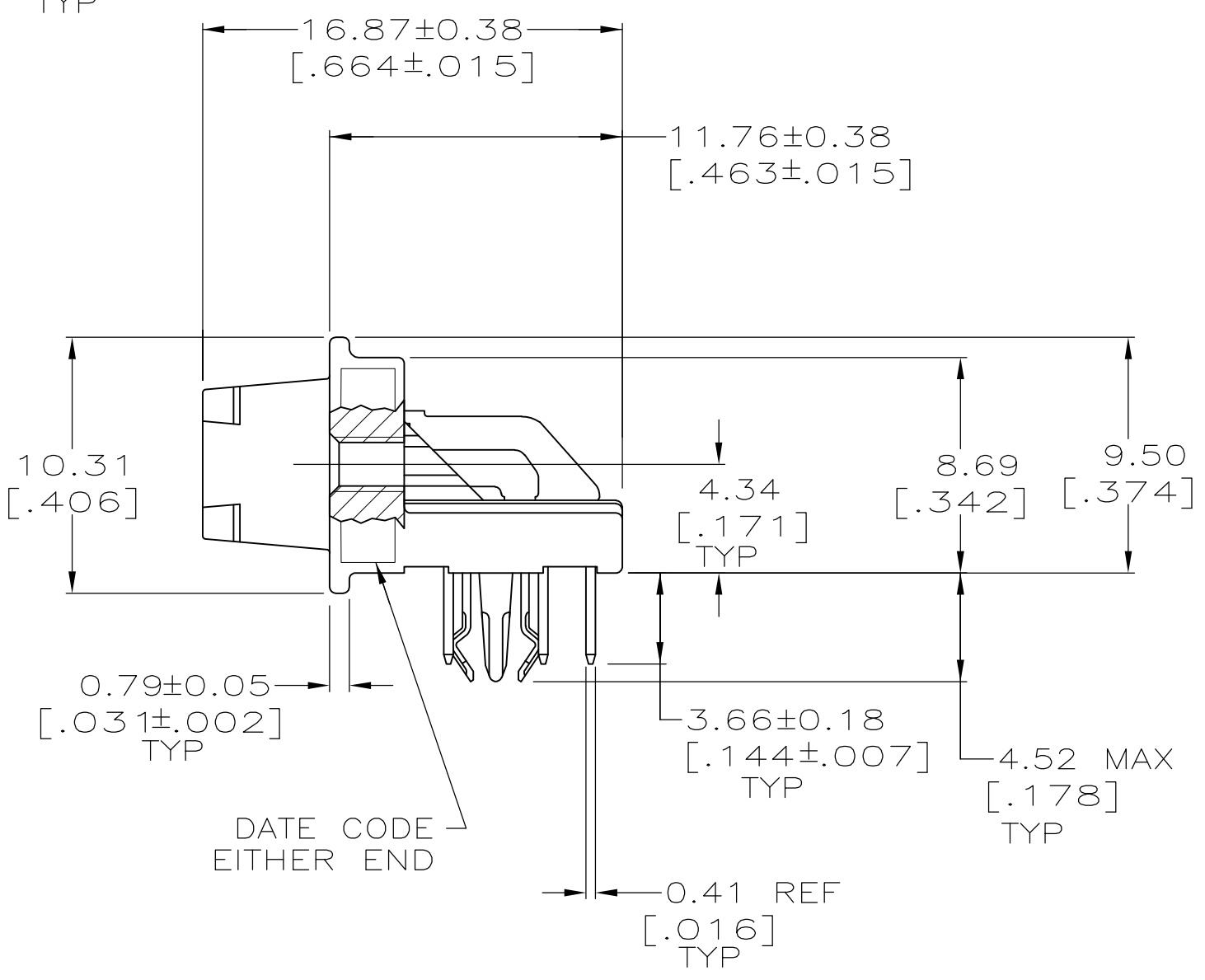
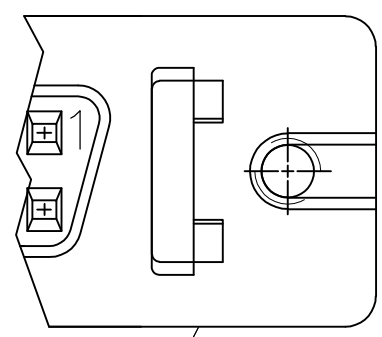
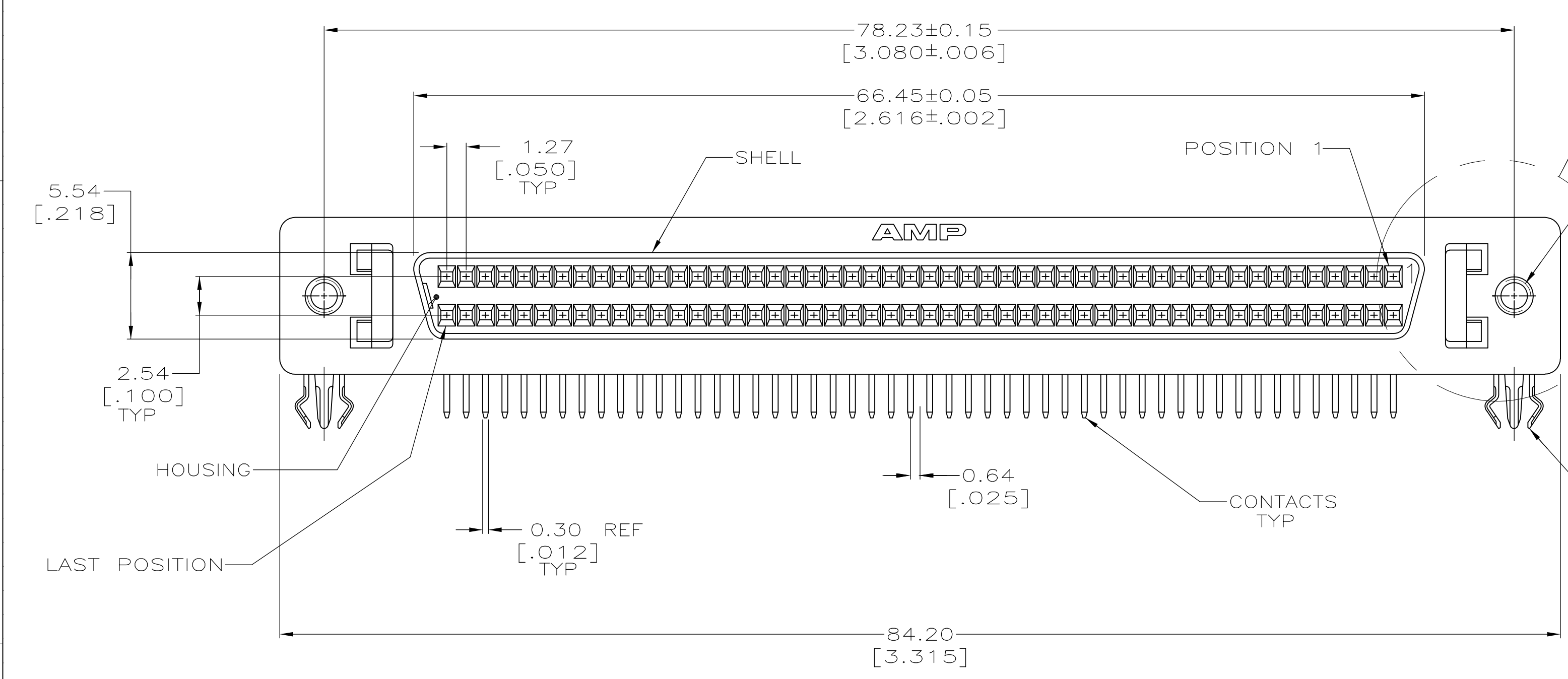


LOC		DIST		REVISIONS			
BD	95	REV	DATE	DESCRIPTION	DATE	BY	APPROV
		H		REVISED PER ECO-08-010444	17DEC2008	ZMR	SLB



**1 MATERIAL**  
 CONTACTS: PHOSPHOR BRONZE  
 HOUSING & PIN SPACER: UL 94V-0 RATED, THERMOPLASTIC, BLACK  
 BRACKET: ZINC  
 SHELL: CARBON STEEL  
 BOARDLOCKS: COPPER ALLOY

**2 FINISH**  
 CONTACTS: EITHER 0.76µm [.000030] MIN GOLD PLATE FOR A LENGTH OF 0.64 [.025] MAX, 0.13 [.005] MIN FROM MATING END OR GOLD FLASH OVER PALLADIUM NICKEL PLATE, 0.76µm [.000030] MIN TOTAL FOR A LENGTH OF 0.64 [.025] MAX, 0.13 [.005] MIN FROM MATING END. 3.81µm [.000150] MIN TIN-LEAD ON OPPOSITE END FOR A LENGTH OF 3.84 [.151] MIN, BOTH OVER 1.27µm [.000050] MIN NICKEL.  
 SHELL: 5.08µm [.000200] MIN NICKEL OVER 1.27µm [.000050] MIN COPPER.  
 BRACKET: 2.54µm [.000100] MIN NICKEL OVER 5.08µm [.000200] COPPER.  
 BOARDLOCKS: 3.81µm [.000150] MIN TIN-LEAD OVER 1.27µm [.000050] MIN NICKEL.



P.C.BOARD MOUNTING DIMENSIONS  
 CONNECTOR SIDE  
 P.C.BOARD THICKNESS 2.36±0.23 [.093±.009]

100	787942-9
NO OF POSN	PART NUMBER

THIS DRAWING IS A CONTROLLED DOCUMENT.		DWG C. DORWART 13 DEC 96	Tyco Electronics Tyco Electronics Corporation Harrisburg, PA 17105-3608
DIMENSIONS: mm [INCHES]		CHK R. WALTER 19 DEC 96	
TOLERANCES UNLESS OTHERWISE SPECIFIED:		APP'D R. WALTER 19 DEC 96	NAME
0 PLC	± -	PRODUCT SPEC	RECEPTACLE ASSEMBLY, SHIELDED, RIGHT ANGLE, .050 SERIES, AMPLIMITE
1 PLC	± -	APPLICATION SPEC	108-1228
2 PLC	± 0.13 [.005]	SIZE	CAGE CODE DRAWING NO
3 PLC	± -	114-40029	A1 00779 C=787942
4 PLC	± -	WEIGHT	-
ANGLES	± -	CUSTOMER DRAWING	SCALE 4:1 SHEET 1 OF 1 REV H

单击下面可查看定价，库存，交付和生命周期等信息

[>>TE Connectivity\(泰科\)](#)