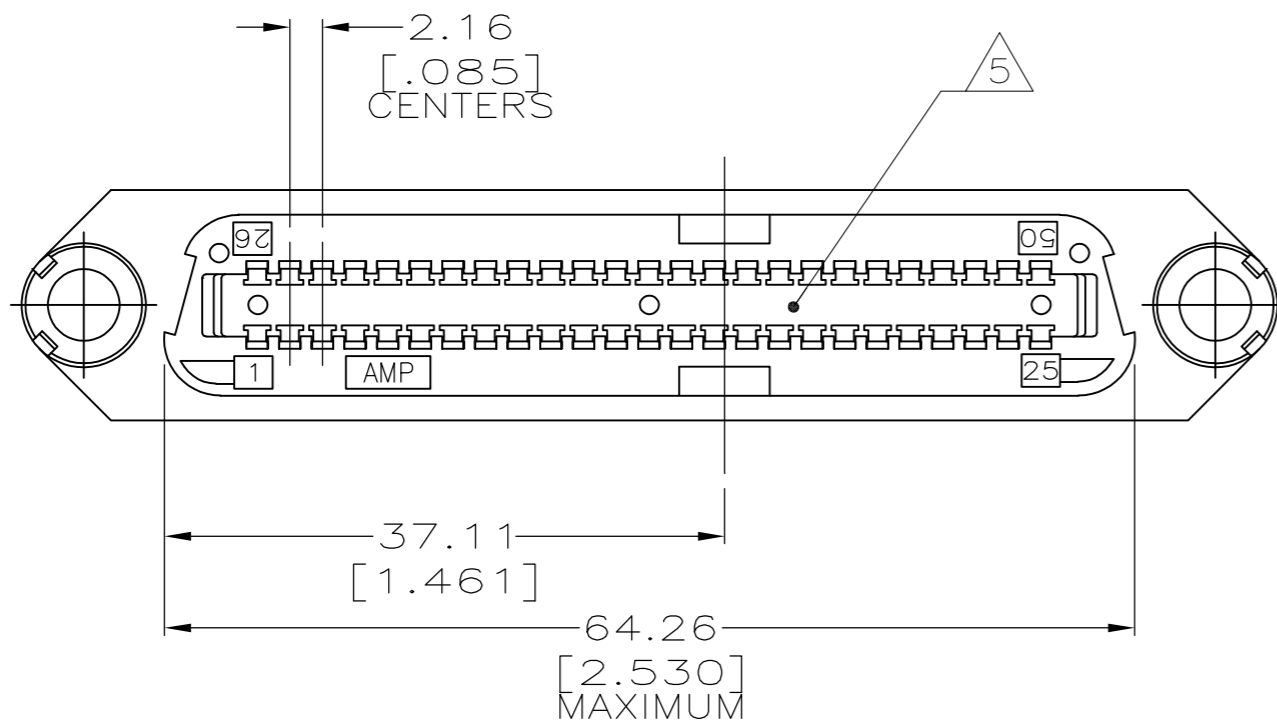
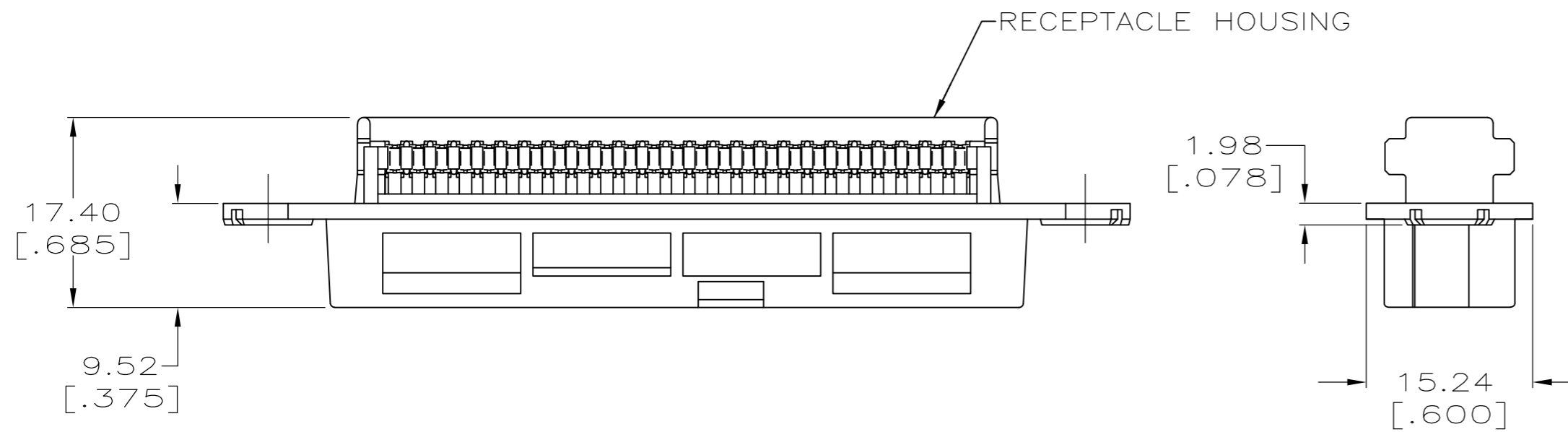
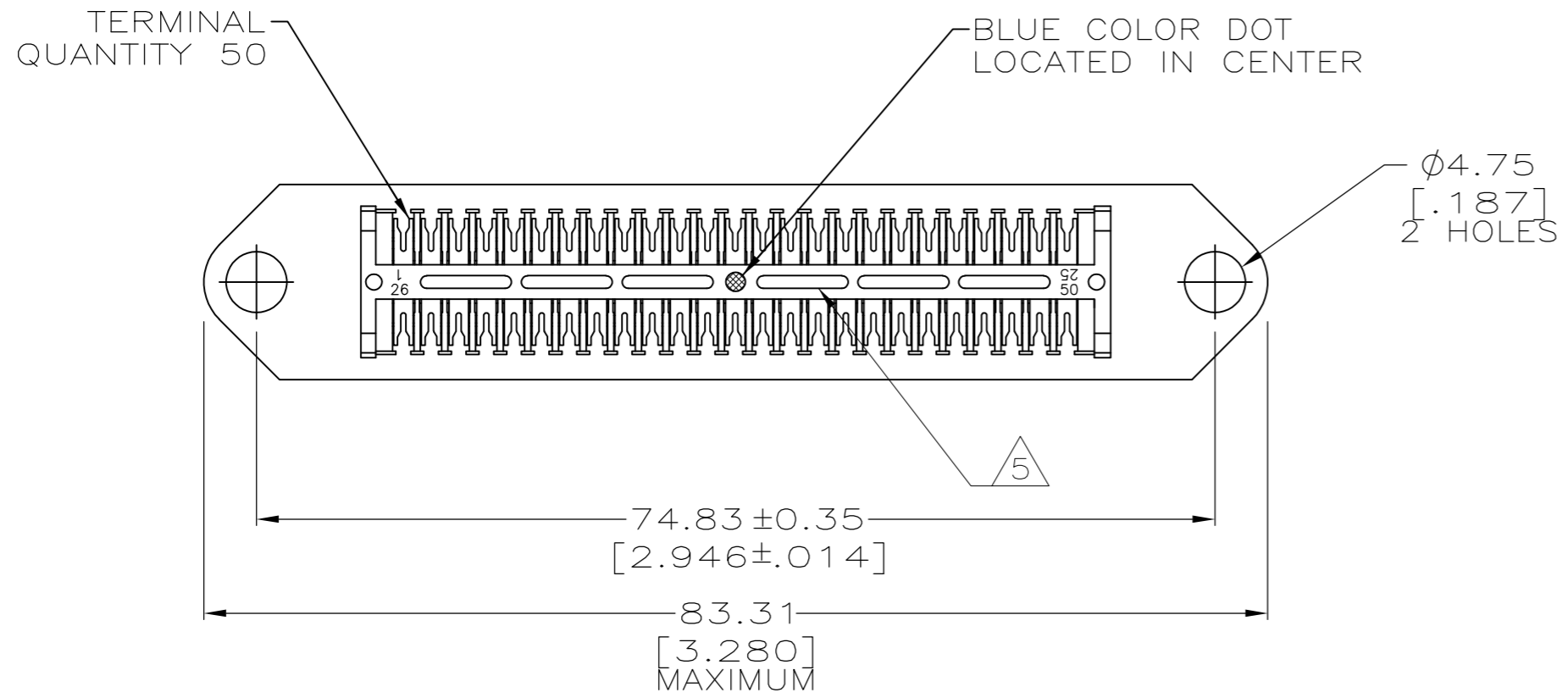


THIS DRAWING IS UNPUBLISHED. RELEASED FOR PUBLICATION  
 © COPYRIGHT - By - ALL RIGHTS RESERVED.

| LOC | DIST | REVISIONS |     |                           |         |     |      |
|-----|------|-----------|-----|---------------------------|---------|-----|------|
|     |      | P         | LTR | DESCRIPTION               | DATE    | DWN | APVD |
| GP  | 00   | U1        |     | REVISED PER ECO-11-004835 | 11MAR11 | RK  | HMR  |



1. THE CONTACT SURFACES OF THE TERMINALS ARE COATED WITH LUBRICANT.
2. ALL DIMENSIONS SHOWN ARE FOR REFERENCE ONLY UNLESS OTHERWISE SPECIFIED.
3. MATERIAL: HOUSING - POLYPHEYLENE OXIDE. TERMINAL - HIGH STRENGTH COPPER ALLOY PLATED WITH 0.76µm [.000030] MIN GOLD OR GOLD FLASH OVER PALLADIUM NICKEL PLATE, 0.76µm [.000030] MIN TOTAL ON MATING SURFACE. 1.27µm [.000050] MIN NICKEL UNDERPLATE OVER ENTIRE TERMINAL.
4. WIRE SIZE: 24 AND 26 AWG SOLID OR 24 7 STRANDED COPPER CONDUCTORS. MAX INSULATION DIAMETER OF 1.14[.045] IS ACCEPTABLE FOR MOST APPLICATIONS.
5. CORING MAY OR MAY NOT APPEAR AND IS AT THE DISCRETION OF AMP.

|                          |       |              |             |
|--------------------------|-------|--------------|-------------|
| SUPERSEDED BY 2-552001-1 | BLACK | THIN FLANGE  | 2-552001-1  |
|                          | BLACK | THICK FLANGE | 552001-1    |
|                          | COLOR | DESCRIPTION  | PART NUMBER |

|  |            |                         |   |                 |
|--|------------|-------------------------|---|-----------------|
| THIS DRAWING IS A CONTROLLED DOCUMENT. |            | DWN DL DRUMMOND 01JUN01 | <b>TE</b> TE Connectivity   |                 |
| DIMENSIONS: mm [INCHES]                |            | CHK DL DRUMMOND 01JUN01 |   |                 |
| TOLERANCES UNLESS OTHERWISE SPECIFIED: |            | APVD EW BEILES 01JUN01  | NAME  |                 |
| 0 PLC ± -                              | 1 PLC ± -  | PRODUCT SPEC            | RECEPTACLE ASSEMBLY, 50 POSITION, B-SLOT, WITH .187 DIAMETER HOLES, CHAMP-LOK |                 |
| 2 PLC ± -                              | 3 PLC ± -  | APPLICATION SPEC        | SIZE A2   | CAGE CODE 00779 |
| 4 PLC ± -                              | ANGLES ± - | WEIGHT -                | DRAWING NO C=552001   | RESTRICTED TO - |
| MATERIAL                               | FINISH     | CUSTOMER DRAWING        | SCALE 2:1   | SHEET 1 of 1    |
|  |            |                         |   | REV U1          |

单击下面可查看定价，库存，交付和生命周期等信息

[>>TE Connectivity\(泰科\)](#)