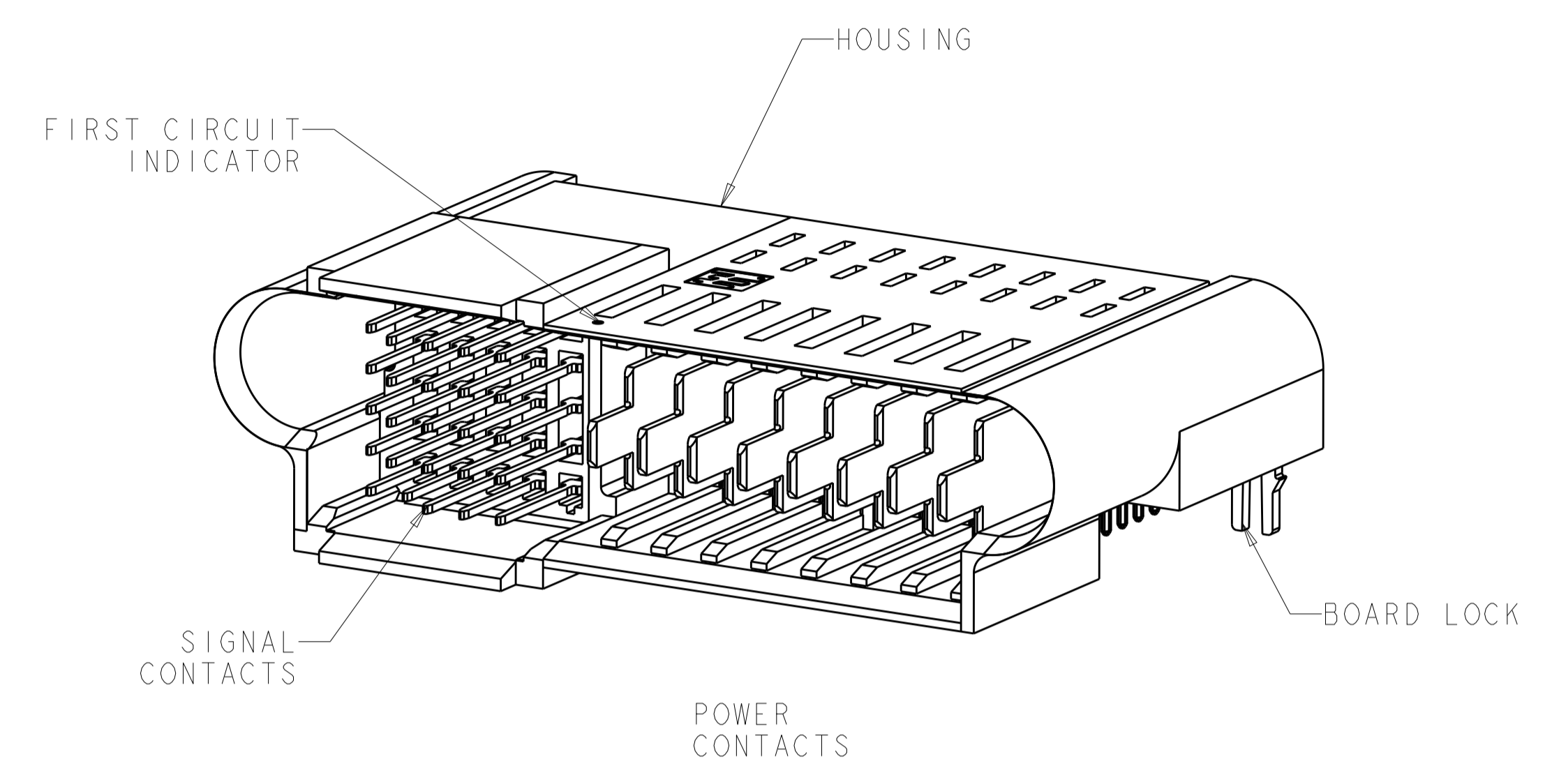
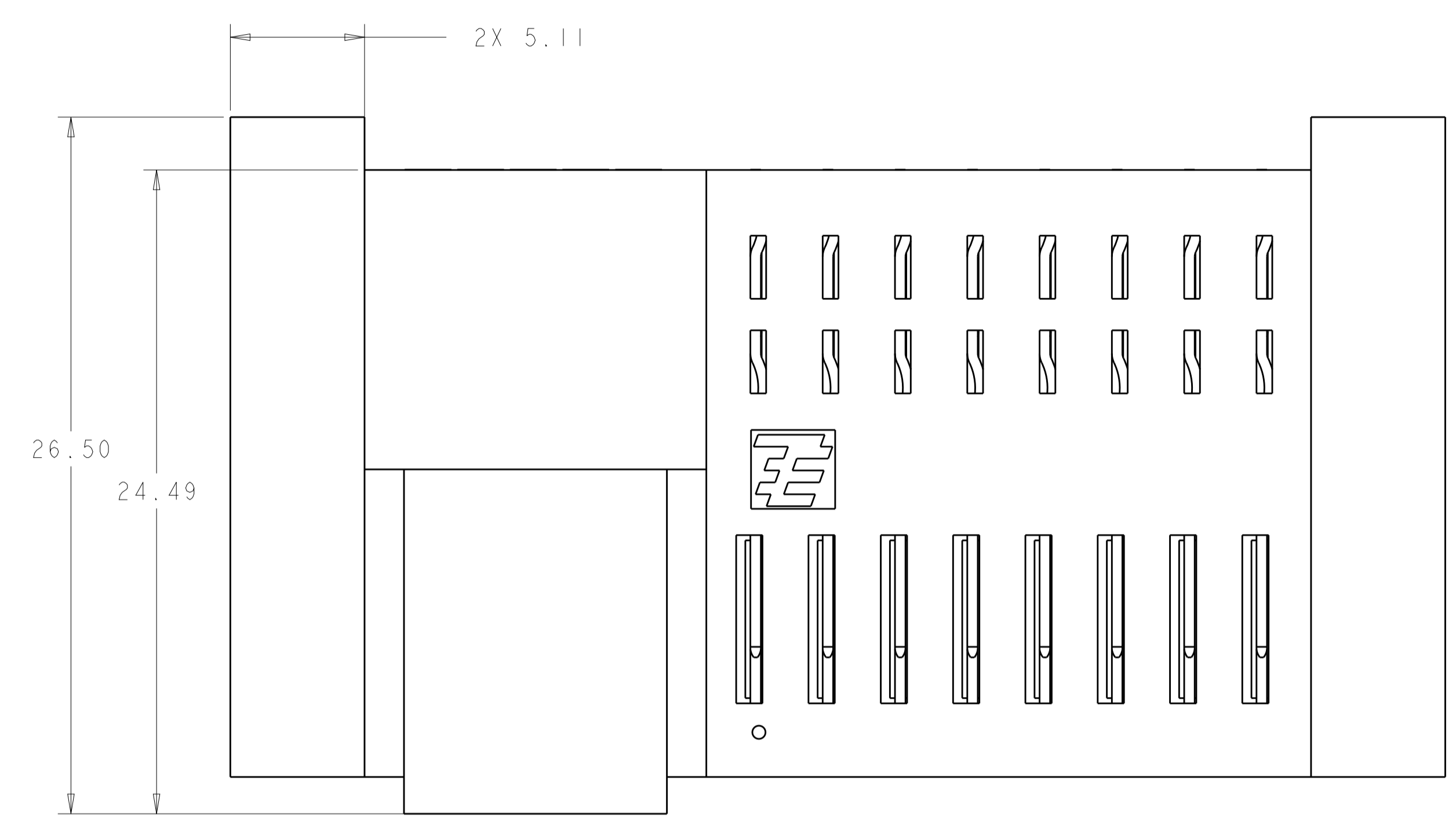
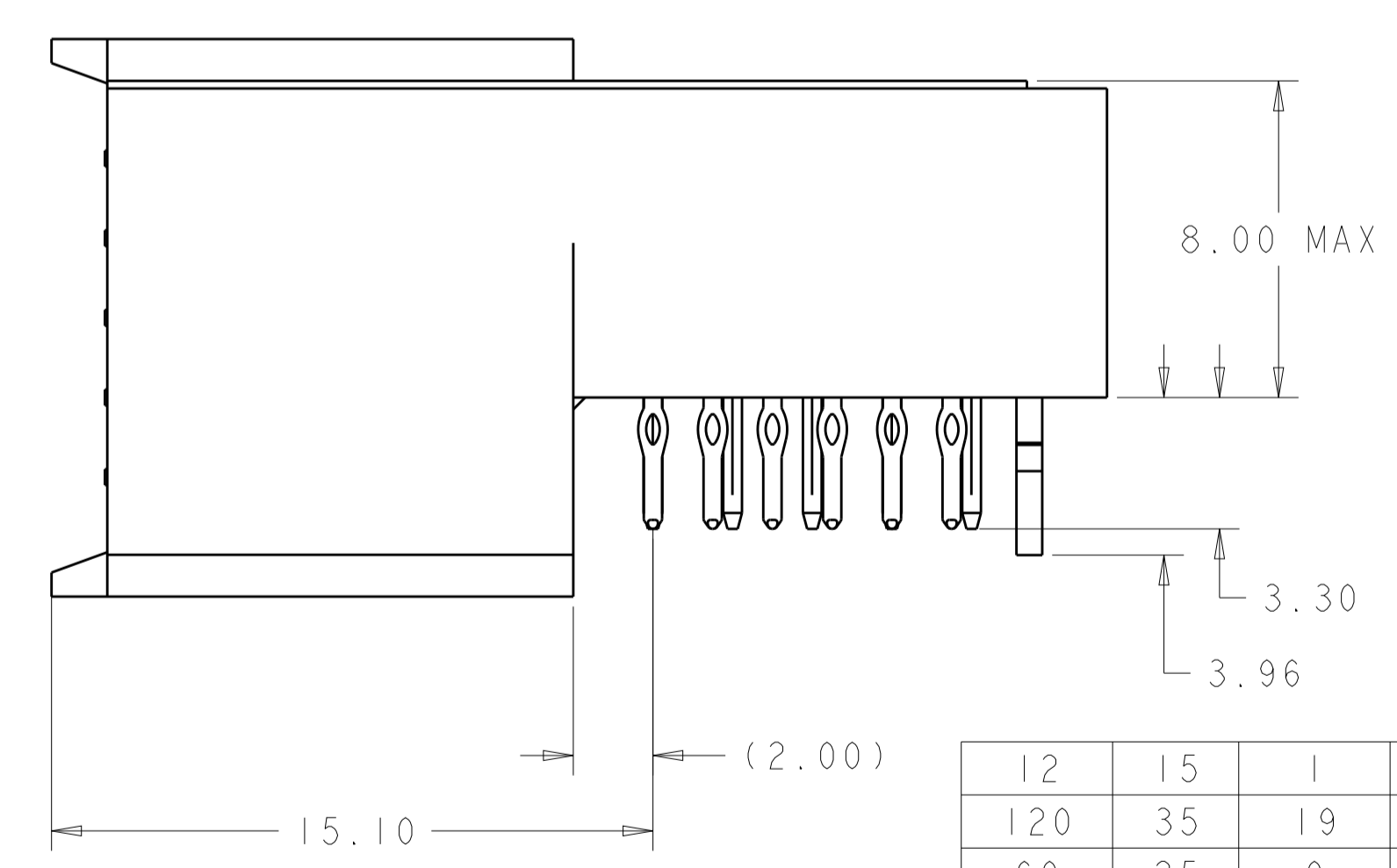
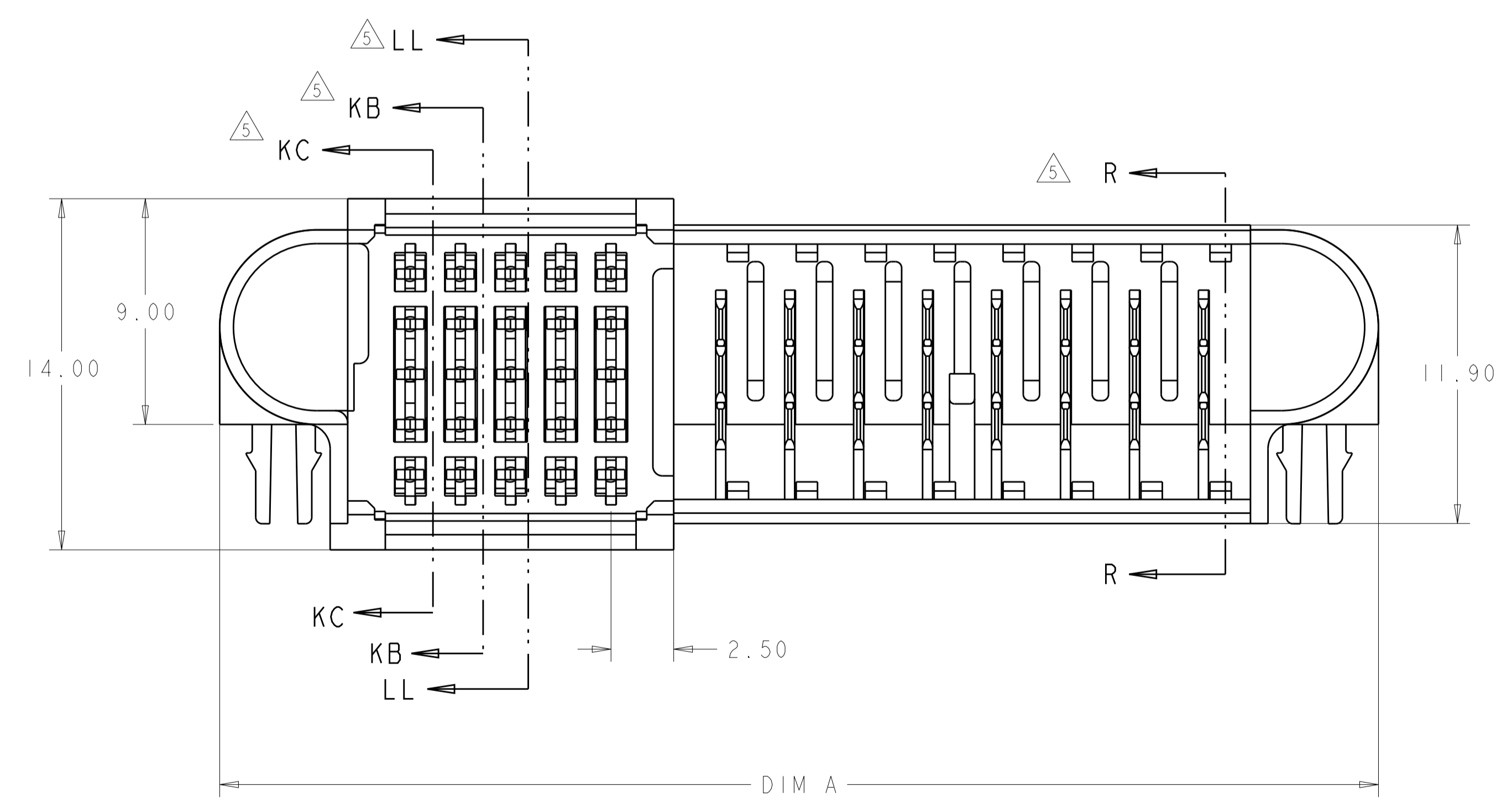


LOC		DIST		REVISIONS			
P	LTN	DESCRIPTION	DATE	DMN	APVD		
F7		ADD NEW PART -5	18NOV2013	OL	SZ		
F8		ECR-15-001425	26JAN2015	SZ	SZ		



ISOMETRIC FRONT VIEW



SIZE	QTY.	"E" QTY.	"D" SPACES	"C" SPACES	DIM "B"	DIM "A"	NO. OF POSITIONS	PART NUMBER
12	15	1	2	20.60	25.71	15S X 2P	1926734-6	
120	35	19	6	78.10	83.21	35S X 20P	1926734-5	
60	25	9	4	46.60	51.71	25S X 10P	1926734-4	
108	35	17	6	72.60	77.71	35S X 18P	1926734-3	
60	25	9	4	46.60	51.71	25S X 10P	1926734-2	
48	25	7	4	41.10	46.21	25S X 8P	1926734-1	

THIS DRAWING IS A CONTROLLED DOCUMENT. DMN: G. PETERS 03JUN2008
 CHK: N. REESER 06JUN2008
 APVD: N. REESER 06JUN2008

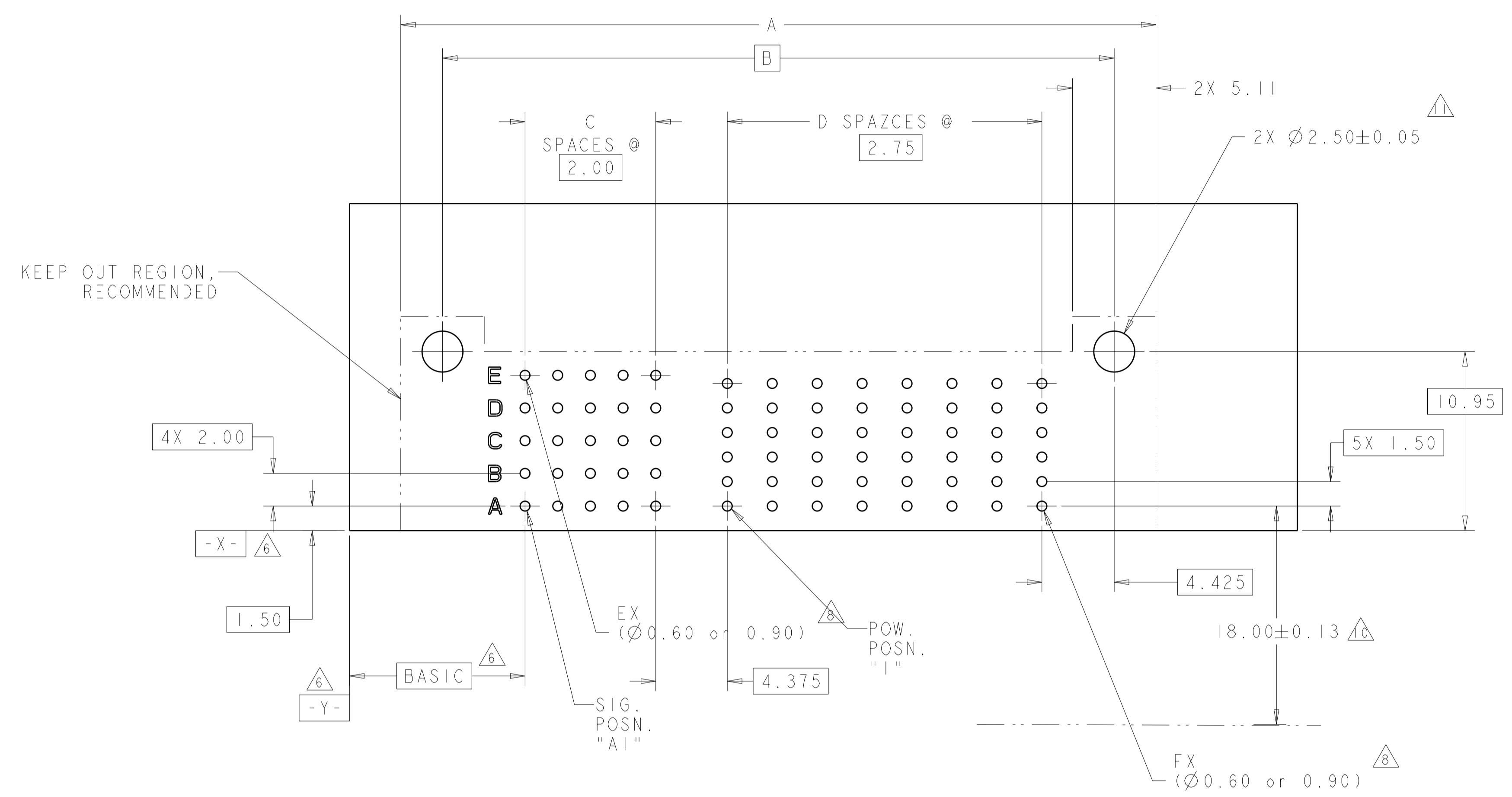
STE TE Connectivity

NAME: ASSEMBLY, RIGHT ANGLE, PLUG, SIGNAL/POWER, PASSIVE GUIDE

SIZE: A1 CAGE CODE: 1926734 DRAWING NO: 1926734

MATERIAL: FINISH: WEIGHT: SCALE: 1:1 SHEET 1 OF 5 REV: F8

LOC	DIST	REVISIONS			
GP	00	REV	DATE	BY	APPD
		-	SEE SHEET 1	-	-



RECOMMENDED PRINTED CIRCUIT BOARD LAYOUT ⁷
 (AS VIEWED FROM COMPONENT SIDE)

- ¹ HOUSING: GLASS FILLED LIQUID CRYSTAL POLYMER, COLOR: BLACK, UL 94V-0 RATED.
 SIGNAL CONTACT: PHOSPHOR BRONZE.
 SIGNAL OVERMOLD: GLASS FILLED POLYESTER.
 POWER CONTACT: COPPER ALLOY.
 BOARDLOCK: PHOSPHOR BRONZE.
- ² SIGNAL CONTACT: 0.00127mm MIN NICKEL ALL OVER,
 MATING AREA: 0.00076mm MIN GOLD OR 0.00008mm MIN GOLD OVER
 0.00076mm MIN PALLADIUM-NICKEL
 TAIL AREA: 0.0005mm MIN MATTE TIN.
 POWER CONTACT: 0.00127mm MIN NICKEL ALL OVER,
 MATING AREA: 0.00076mm MIN GOLD OR
 0.00008mm MIN GOLD OVER 0.00076mm MIN PALLADIUM-NICKEL,
 TAIL AREA: 0.0005mm MIN MATTE TIN.
 BOARDLOCK: 0.00076mm MIN MATTE TIN OVER
 0.00127mm MIN NICKEL.
- 3 CONTACT MATING AREA LUBRICATED WITH BELLCORE APPROVED LUBRICANT,
 TECHNICAL REFERENCE: GR-1217-CORE, ISSUE 1, NOVEMBER 1995.
- 4 CONNECTOR ASSEMBLY MARKED WITH PART NUMBER AND DATE CODE.
- ⁵ CUSTOMER TO SPECIFY LOAD PATTERN, USE WORKSHEET ON SHEET 3,
 FOR EXISTING PART NUMBERS ALREADY LOADED SEE SHEET 4.
 LOAD PATTERNS SHOWN ON SHEETS 1 & 3 ILLUSTRATES CHOICES,
 DOES NOT MATCH ANY DASH PART NUMBERS.
- ⁶ DATUMS AND BASIC DIMENSIONS TO BE ESTABLISHED BY CUSTOMER.
- ⁷ PC BOARD THICKNESS 1.4mm MIN.
 FOR WAVE SOLDER PC BOARD THICKNESS 2.62mm MAX.
- ⁸ FOR WAVE SOLDER: FINISHED HOLE DIAMETER: 0.90 +/- 0.05mm
 FOR PRESS FIT: DRILL HOLE DIAMETER: 0.70 +/- 0.02mm
 FINISHED HOLE DIAMETER: 0.61mm REF
 PAD DIAMETER: 0.90 +/- 0.05mm
 Cu PLATING THICKNESS: 0.025-0.050mm
 WITH A SURFACE FINISH AND THICKNESS OF EITHER:
 HASL SnPb: 0.004-0.015mm
 IMMERSION Sn: 0.0005mm MIN.
 OSP: 0.0002-0.0005mm
 IMMERSION Ag: 0.0001mm MIN.
 IMMERSION Au/Ni: 0.0001-0.0005mm Au, 0.004-0.0076mm Ni
- 9 SEE CUSTOMER DRAWING 1926733 FOR MATING RECEPTACLE CONNECTOR.
- ¹⁰ DIMENSION IS TO FIRST ROW OF PLATED THRU HOLES ON RECEPTACLE PCB.
- ¹¹ UNPLATED HOLES
- 12. THIS CONNECTOR EMPLOYS UL RECOGNIZED Z-PACK 2mm HM CONNECTOR AT SIGNALS

THIS DRAWING IS A CONTROLLED DOCUMENT.		OWN: G. PETERS 03JUN2008	TE Connectivity
DIMENSIONS: mm		CHK: N. BEESER 06JUN2008	
TOLERANCES UNLESS OTHERWISE SPECIFIED:		APPD: N. BEESER 06JUN2008	NAME: ASSEMBLY, RIGHT ANGLE, PLUG, SIGNAL/POWER, PASSIVE GUIDE
0 PLC	±	PRODUCT SPEC	SIZE: A1
1 PLC	±.2	APPLICATION SPEC	CAGE CODE: 1926734
2 PLC	±.25	WEIGHT	SCALE: 1:1
3 PLC	±	Customer Drawing	SHEET 2 OF 5
4 PLC	±		REV: F8
ANGLES	±.2		
FINISH			

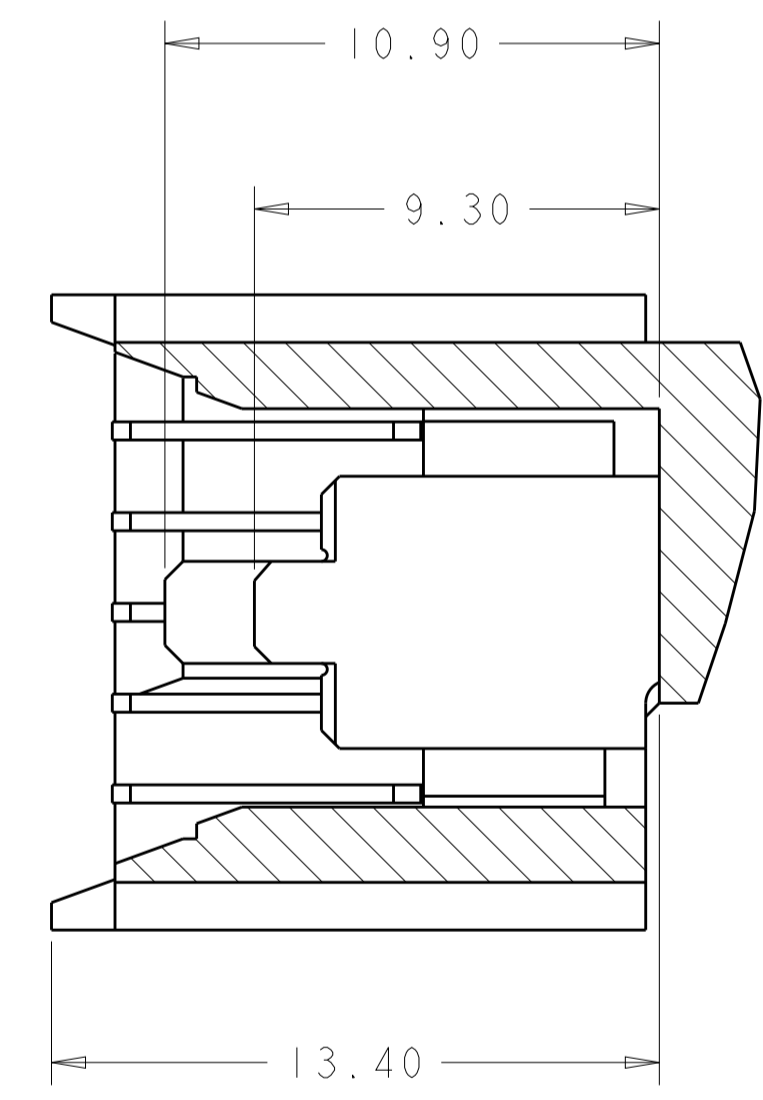
LOC	DIST	REVISIONS					
		P.	LTN	DESCRIPTION	DATE	DMN	APVD
GP	00	-	-	SEE SHEET 1	-	-	-

CUSTOM LOADING WORKSHEET FOR SIGNAL & POWER SEQUENCING LEVELS																																
MINIPAK HDL - MATING FACE OF PLUG CONNECTOR***																																
	SIGNAL CHICKLETS*								POWER CONTACTS**																							
ROWS	1	2	3	4	5	6	7	8	1	2	3	4	5	6	7	8	9	10	11	12	13	14	15	16	17	18	19	20	21	22	23	24
E																																
D																																
C																																
B																																
A																																

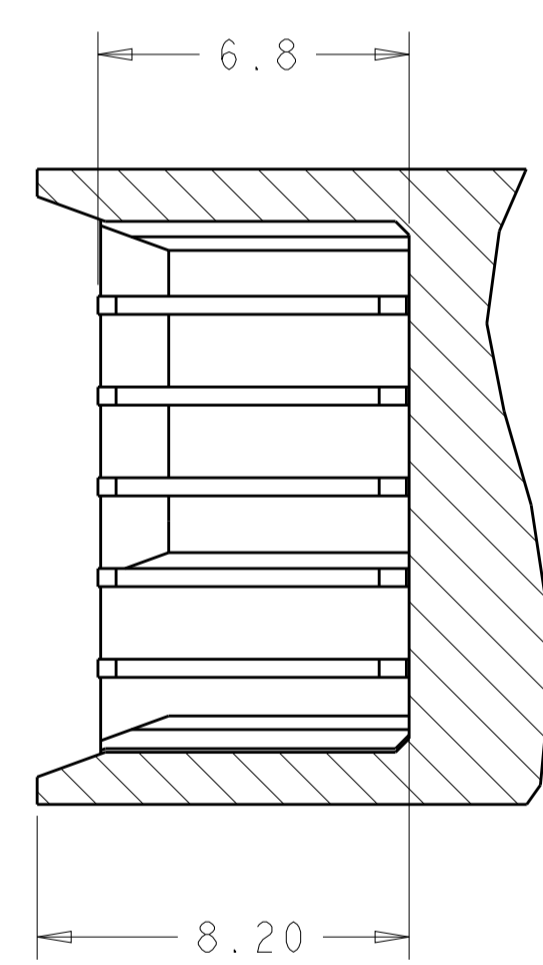
*LOAD WITH CHOICE OF 3 CHICKLETS
 SEE SECTIONS KA, KB, & KC FOR
 AVAILABLE LENGTH OPTIONS.

** LOAD WITH CHOICE OF 2 POWER
 CONTACT MATING LENGTHS, SEE SEC.
 MM FOR AVAILABLE LENGTH OPTIONS.

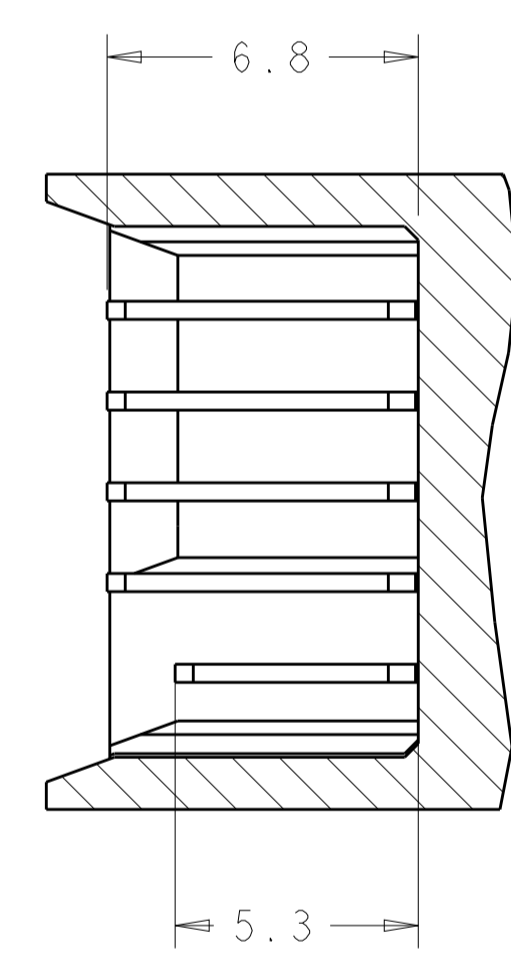
***CUSTOM LOADING WORKSHEET SHOWN AT MAXIMUM SIZE CONFIGURABLE (40S X 24P),
 SIGNALS AVAILABLE IN 2,3,4 THRU 8 POSITIONS, POWERS AVAILABLE IN 4,6,8,
 10, THRU 24 POSITIONS IN EVEN QUANTITIES ONLY.



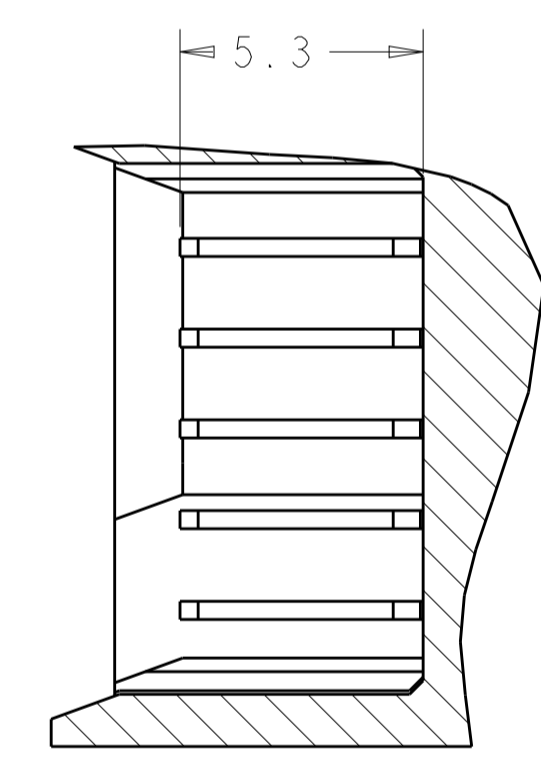
SECTION R-R
 (LEVEL 2, SHORTEST, & LEVEL 3
 LONGEST, MATING CONTACTS)



SECTION LL-LL
 (LEVEL 2: ALL LONGEST CONTACT)



SECTION KB-KB
 (LEVEL 12222:
 LEVEL 1 ROW "A" ONLY
 LEVEL 2 ROWS "B" THRU "E")



SECTION KC-KC
 (LEVEL 1: SHORTEST CONTACT)

THIS DRAWING IS A CONTROLLED DOCUMENT.		DMN G. PETERS 03JUN2008	TE Connectivity NAME ASSEMBLY, RIGHT ANGLE, PLUG, SIGNAL/POWER, PASSIVE GUIDE, - SIZE CAGE CODE DRAWING NO RESTRICTED TO A100779C=1926734 -
DIMENSIONS:		CHK N. REESER 06JUN2008	
TOLERANCES UNLESS OTHERWISE SPECIFIED:		APVD N. REESER 06JUN2008	
mm		PRODUCT SPEC	
0 PLC ±.1		APPLICATION SPEC	SCALE 1:1
1 PLC ±.2		WEIGHT	SHEET 3 OF 5
2 PLC ±.25		Customer Drawing	REV F8
3 PLC ±.3			
4 PLC ±.4			
ANGLES ±.2			
FINISH			

LOC	DIST	REVISIONS			
P	LTN	DESCRIPTION	DATE	DMN	APVD
GP	00	SEE SHEET 1			

PART NUMBER	ROWS	SIGNALS					POWERS											
		1	2	3	4	5	1	2	3	4	5	6	7	8				
1926734-1	A																	
	B	2	2				3	3	3	3	2	2	2	2				
	C	2	2	12222	2	2	3	3	3	3	2	2	2	2				
	D	2	2				3	3	3	3	2	2	2	2				
	E	2	2				3	3	3	3	2	2	2	2				
25S X 8P																		

PART NUMBER	ROWS	SIGNALS					POWERS												
		1	2	3	4	5	1	2	3	4	5	6	7	8	9	10			
1926734-2	A																		
	B	2	2				2	2	2	2	2	2	2	2	2	2	2	2	
	C	2	2	2	2	1	2	2	2	2	2	2	2	2	2	2	2	2	
	D	2	2				2	2	2	2	2	2	2	2	2	2	2	2	2
	E	2	2				2	2	2	2	2	2	2	2	2	2	2	2	2
25S X 10P																			

PART NUMBER	ROWS	SIGNALS							POWERS																		
		1	2	3	4	5	6	7	1	2	3	4	5	6	7	8	9	10	11	12	13	14	15	16	17	18	
1926734-3	A																										
	B	1	1	1	1	1	1	1	2	2	2	3	3	3	3	3	3	3	2	2	2	2	2	2	2	2	2
	C	1	1	1	1	1	1	1	2	2	2	3	3	3	3	3	3	3	2	2	2	2	2	2	2	2	2
	D	1	1	1	1	1	1	1	2	2	2	3	3	3	3	3	3	3	2	2	2	2	2	2	2	2	2
	E	1	1	1	1	1	1	1	2	2	2	3	3	3	3	3	3	3	2	2	2	2	2	2	2	2	2
35S X 18P																											

PART NUMBER	ROWS	SIGNALS					POWERS										
		1	2	3	4	5	1	2	3	4	5	6	7	8	9	10	
1926734-4	A																
	B	2	2	1	2	2	2	2	2	2	2	2	2	2	2	2	
	C	2	2	1	2	2	2	2	2	2	2	2	2	2	2	2	
	D	2	2	1	2	2	2	2	2	2	2	2	2	2	2	2	
	E	2	2	1	2	2	2	2	2	2	2	2	2	2	2	2	
25S X 10P																	


VIEWED FROM MATING FACE

THIS DRAWING IS A CONTROLLED DOCUMENT.		DMN: G. PETERS 03JUN2008	TE Connectivity
DIMENSIONS: mm		CHK: N. REESER 06JUN2008	
TOLERANCES UNLESS OTHERWISE SPECIFIED:		APVD: N. REESER 06JUN2008	NAME: ASSEMBLY, RIGHT ANGLE, PLUG, SIGNAL/POWER, PASSIVE GUIDE,
0 PLC ±.1		PRODUCT SPEC	SIZE: A100779
1 PLC ±.2		APPLICATION SPEC	CAGE CODE: C=1926734
2 PLC ±.25		WEIGHT	RESTRICTED TO
3 PLC ±.3		Customer Drawing	SCALE: 1:1
4 PLC ±.4			SHEET 4 OF 5
ANGLES ±.2			REV: F8

LOC	DIST	REVISIONS			
P	LTN	DESCRIPTION	DATE	DMN	APVD
GP	00	SEE SHEET 1			

PART NUMBER	ROWS	SIGNAL							POWER																				
		1	2	3	4	5	6	7	1	2	3	4	5	6	7	8	9	10	11	12	13	14	15	16	17	18	19	20	
1926734-5	A B C D E	1	1	1	1	1	1	1	2	2	2	3	3	3	3	3	3	3	3	3	2	2	2	2	2	2	2	2	
35S X 20P																													

PART NUMBER	ROWS	SIGNAL			POWER	
		1	2	3	1	2
1926734-6	A B C D E	2	1	1	2	2
15S X 2P						

THIS DRAWING IS A CONTROLLED DOCUMENT.		DMN G. PETERS	03JUN2008	 TE Connectivity NAME ASSEMBLY, RIGHT ANGLE, PLUG, SIGNAL/POWER, PASSIVE GUIDE, - SIZE CAGE CODE DRAWING NO RESTRICTED TO A100779C=1926734 -
DIMENSIONS:		CHK N. REESER	06JUN2008	
mm		APVD N. REESER	06JUN2008	
0 PLC ±. 1 PLC ±.2 2 PLC ±.25 3 PLC ±. 4 PLC ±. ANGLES ±.2		PRODUCT SPEC		
MATERIAL		FINISH	WEIGHT	APPLICATION SPEC
-		-	-	Customer Drawing
SCALE		1:1		SHEET 5 OF 5
REV		F8		

单击下面可查看定价，库存，交付和生命周期等信息

[>>TE Connectivity\(泰科\)](#)