

4

3

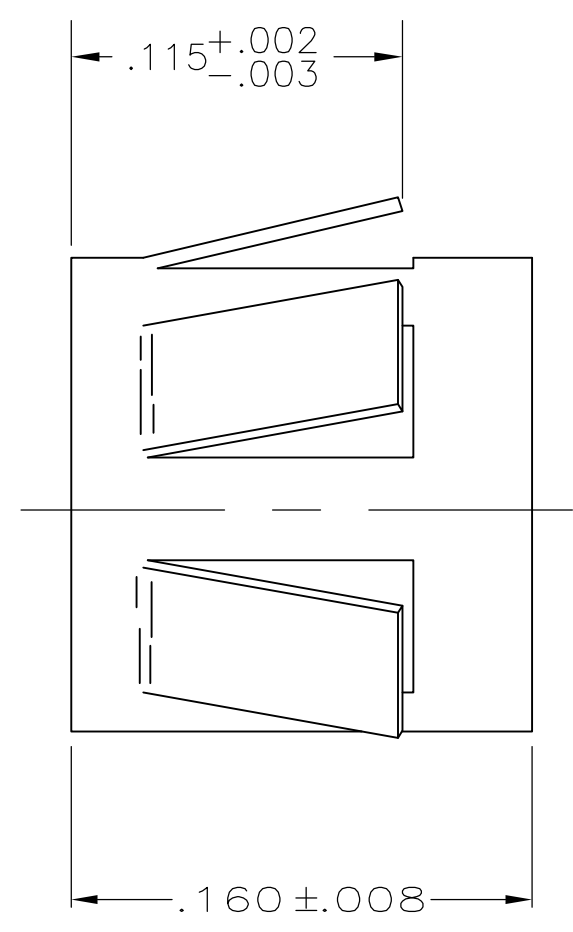
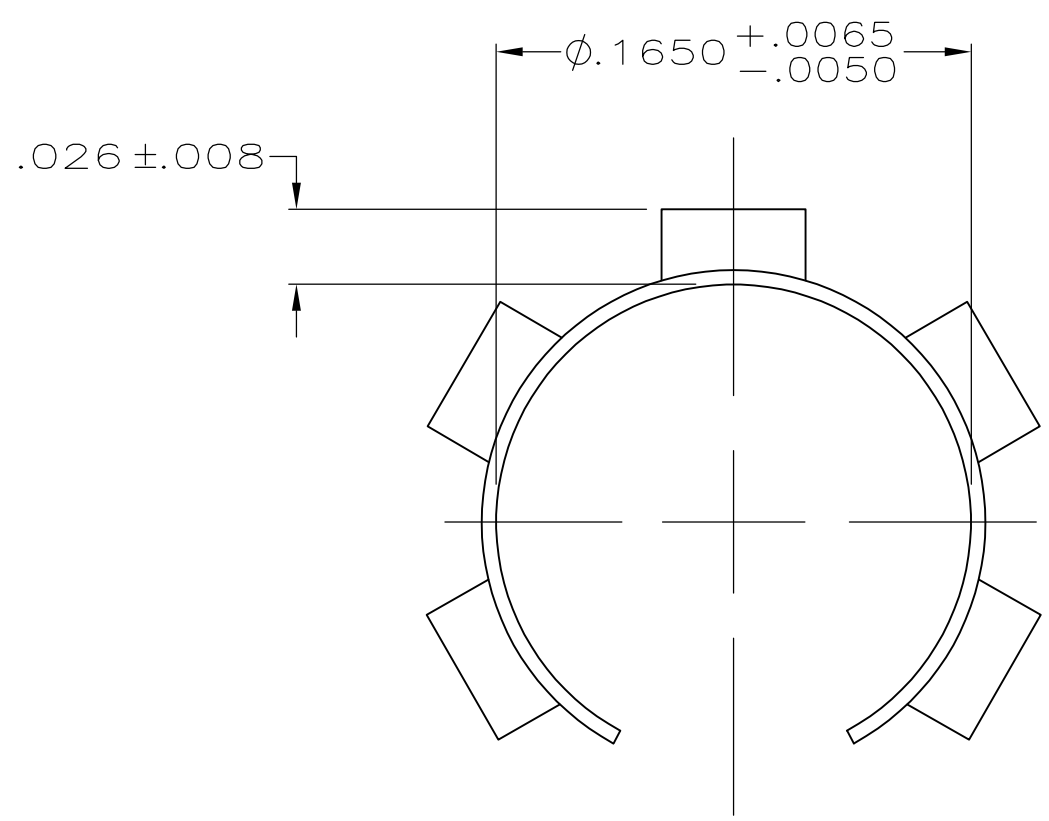
2

1

THIS DRAWING IS UNPUBLISHED. RELEASED FOR PUBLICATION  
 © COPYRIGHT BY TYCO ELECTRONICS CORPORATION. ALL INTERNATIONAL RIGHTS RESERVED.

LOC	DIST	REVISIONS					
AJ	16	P	LTR	DESCRIPTION	DATE	DWN	APVD
			S	REVISED PER ECO-10-007735	13APR10	HMR	WK

1 STAINLESS STEEL PER QQ-S-766



201142-2  
PART NO

THIS DRAWING IS A CONTROLLED DOCUMENT.		DWN J.KURTZ 2/21/90	Tyco Electronics Corporation Harrisburg, PA 17105-3608	
DIMENSIONS: INCHES		CHK D.LAMAN 3-9-90	NAME SPRING,RETENTION	
TOLERANCES UNLESS OTHERWISE SPECIFIED:		APVD M.SNEED 3-12-90	PRODUCT SPEC	
<ul style="list-style-type: none"> <li>0 PLC ± -</li> <li>1 PLC ± -</li> <li>2 PLC ± -</li> <li>3 PLC ± .005</li> <li>4 PLC ± -</li> <li>ANGLES ± -</li> </ul>		APPLICATION SPEC		RESTRICTED TO
MATERIAL 1	FINISH -	WEIGHT .000107 LB	SIZE A3	CAGE CODE 00779
		DRAWING NO C-201142		SCALE 15:1
		CUSTOMER DRAWING		SHEET 1 OF 1
				REV S

单击下面可查看定价，库存，交付和生命周期等信息

[>>TE Connectivity\(泰科\)](#)