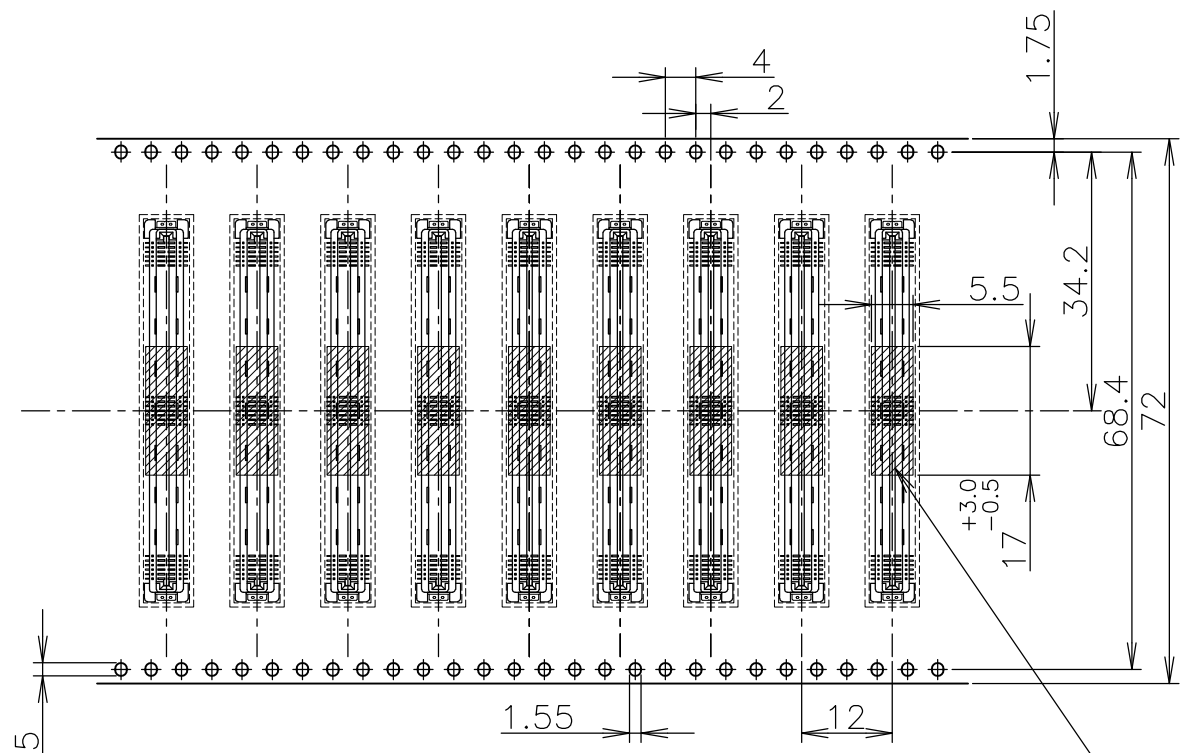
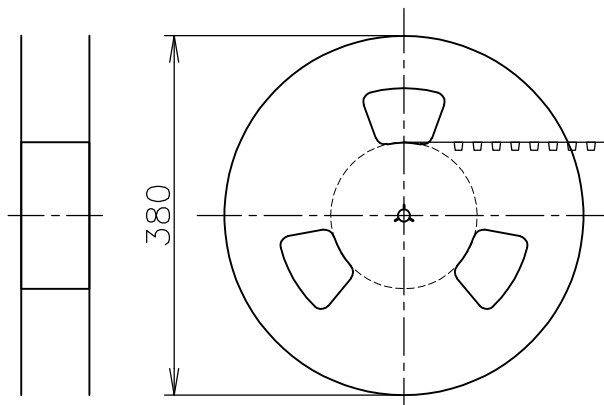


THIS DRAWING IS UNPUBLISHED. RELEASED FOR PUBLICATION SEP, 2004.  
 © COPYRIGHT 2004 BY TYCO ELECTRONICS CORPORATION. ALL RIGHTS RESERVED.

LOC	DIST	REVISIONS					
J		P	LTR	DESCRIPTION	DATE	DWN	APVD
			02	REACTIVATE	13MAY10	T.T	K.Y



接着剤付ポリイミドフィルム  
1枚 (厚さ=0.05)  
ONE SHEET OF POLYIMIDE FILM  
WITH ADHESIVE (t = 0.05)



空部 300mm 程度 WITHOUT CHARGE APPROX  
 製品装填部 WITH PRODUCT CHARGE  
 空部 300mm 程度 WITHOUT CHARGE APPROX

WINDING THE COVER TAPE  
AROUND THE OUTER PERIPHERY IN A TURN  
カバーテープリーダー部 外周一巻

900	150	6123088-1	6376045-1
QTY PER REEL	極数 POS.	コネクタ型番 CONN.P/N	エンボス型番 EMBOSS P/N

1 材料; エンボステープ: PP 色: 黒  
カバーテープ: PET  
1 MATERIAL; EMBOSS TAPE: PP COLOR: BLACK  
COVER TAPE: PET

GENERAL TOLERANCE 一般公差

10 ≥	±0.2
30 ≥ > 10	±0.25
100 ≥ > 30	±0.3
ANGLES	±3°

THIS DRAWING IS A CONTROLLED DOCUMENT.

DWN K.YAMAGUCHI 17SEP04	Tyco Electronics AMP K.K. Kawasaki, Japan
CHK S.WATANABE 17SEP04	
APVD H.MURAMATSU 17SEP04	NAME 名称 0.6mm PITCH CARD EDGE CONNECTOR
PRODUCT SPEC 製品規格 108-78191	ON TAPING (EMBOSS)
APPLICATION SPEC 取付適用規格	SIZE A3
WEIGHT	CAGE CODE 00779
MATERIAL 材料 SEE NOTE	DRAWING NO 番号 G-6376045
	RESTRICTED TO

CUSTOMER DRAWING SCALE 尺度 NTS SHEET 1 OF 2 REV 02



单击下面可查看定价，库存，交付和生命周期等信息

[>>TE Connectivity\(泰科\)](#)