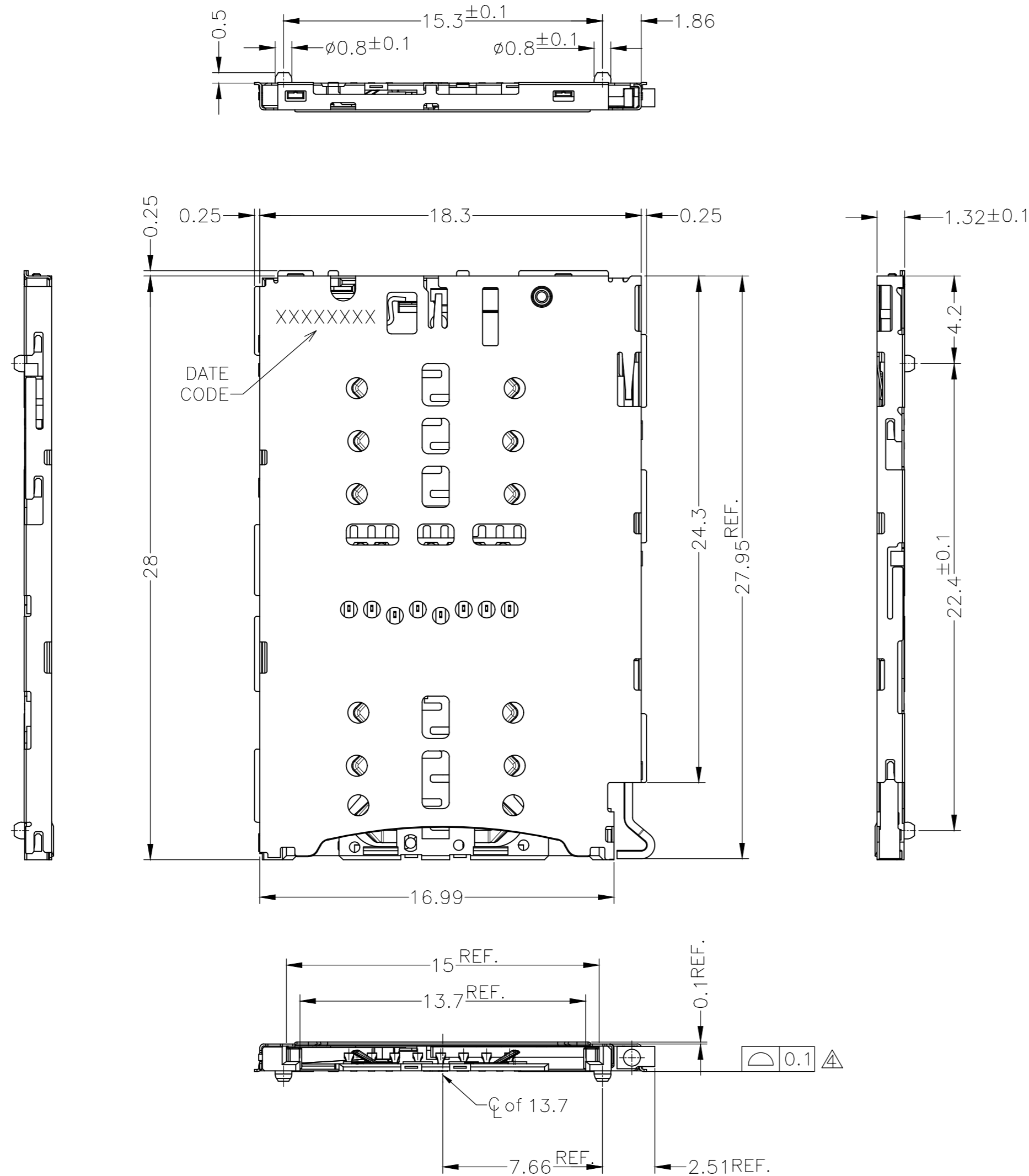


THIS DRAWING IS UNPUBLISHED. RELEASED FOR PUBLICATION
 © COPYRIGHT - By - ALL RIGHTS RESERVED.

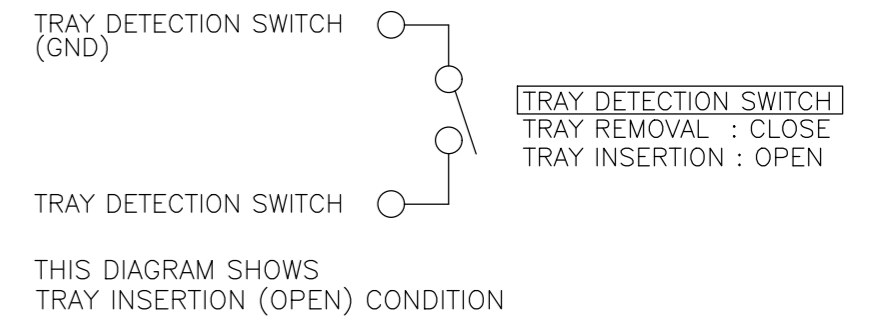
REVISIONS				
P	LTR	DESCRIPTION	DATE	APVD
E		REVISED	06JUL2018	J.T K.K



△ MATERIAL(PRELIMINARY):
 HOUSING: THERMO PLASTIC, COLOR:BLACK
 CONTACT : COPPER ALLOY
 SWITCH CONTACT : COPPER ALLOY
 SHELL : STAINLESS STEEL
 LATCH : STAINLESS STEEL
 LATCH MOLD : THERMO PLASTIC, COLOR:BLACK
 SLIDER : STAINLESS STEEL
 CAM : STAINLESS STEEL

△ FINISH:
 CONTACT : Ni UNDER PLATING
 SOLDERING AREA : Au PLATING
 CONTACT AREA : Au PLATING
 SWITCH CONTACT : Ni UNDER PLATING
 SOLDERING AREA : Au PLATING
 CONTACT AREA : Au PLATING
 SHELL : Ni UNDER PLATING
 SOLDERING AREA : Au PLATING

△ CAM, SLIDER MOVING AREA.
 △ COPLANARITY, INITIAL 0.1 MAX.
 △ CIRCUIT DRAWING OF SWITCH.

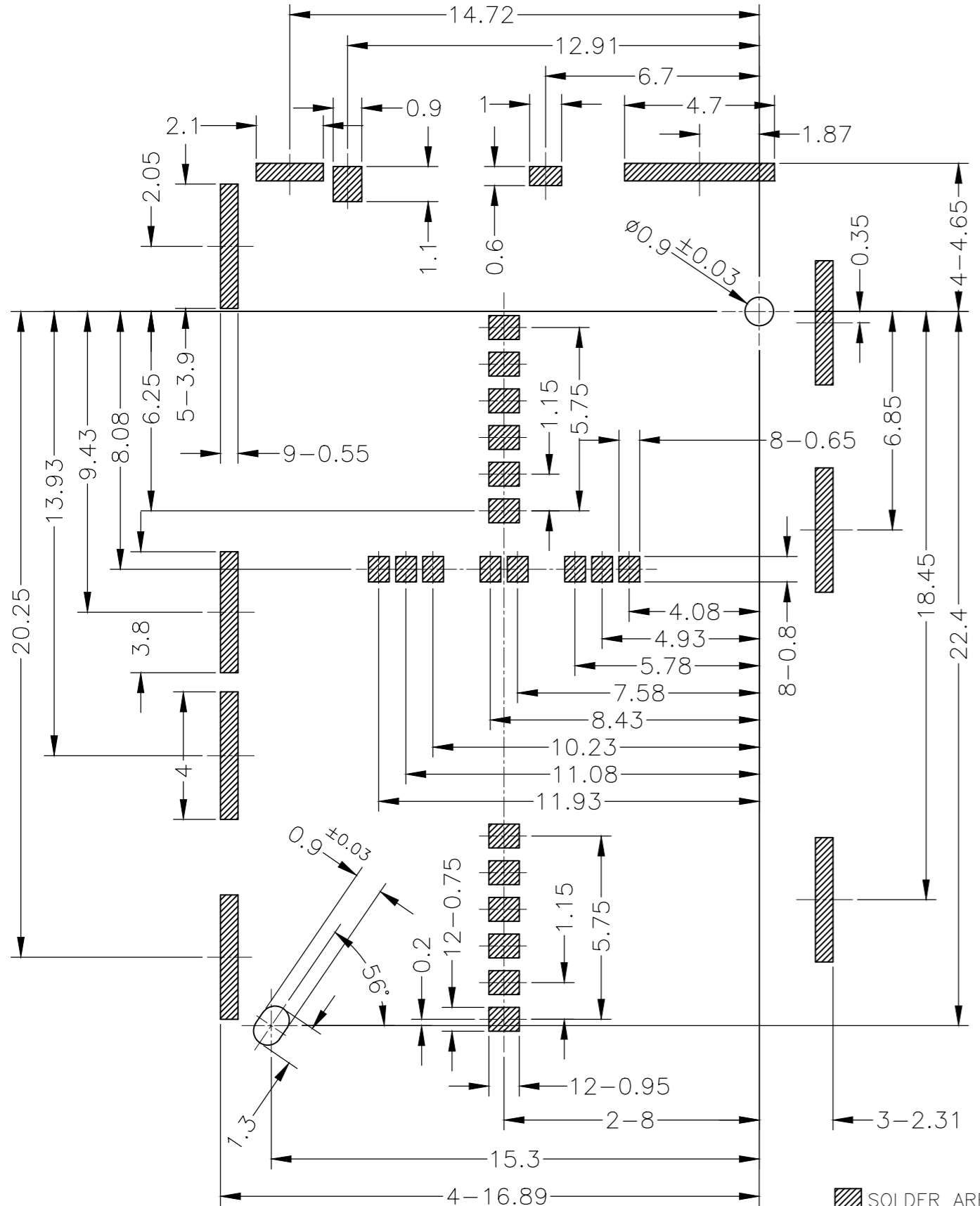


△ REFERENTIAL STENCIL DESIGN.
 THICKNESS:0.1mm
 OPENING RATIO: REFER TO SHEET 2
 150%(5 GND PADS)
 100%(OTHER PADS)

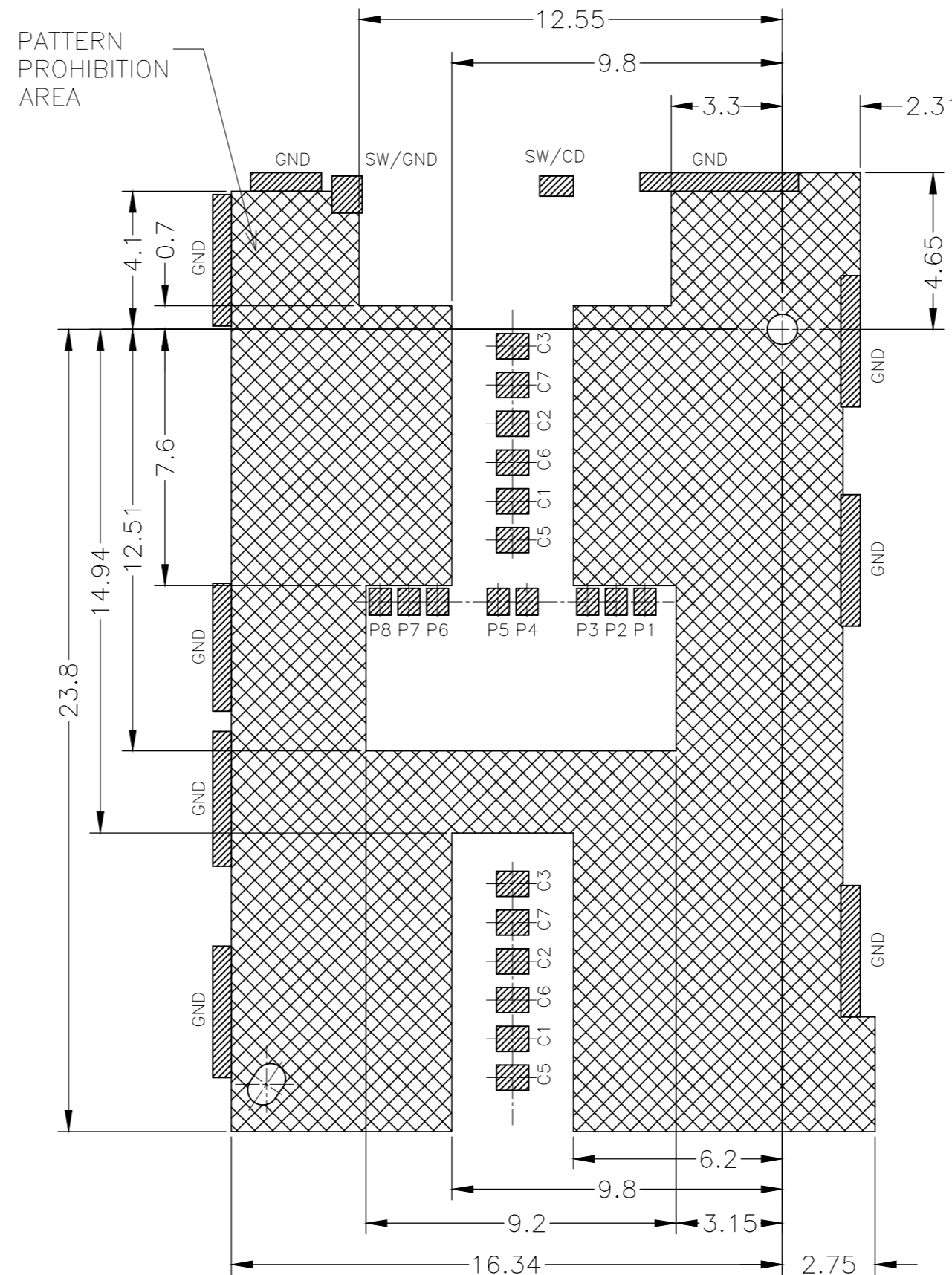
- 1:AS SHOWN

THIS DRAWING IS A CONTROLLED DOCUMENT.		DWN Y.OKOSHI 13FEB2015	△ 2290741-1	
DIMENSIONS: 単位: 純 mm		CHK J.TSUJI 13FEB2015	FINISH PART NUMBER	
TOLERANCES UNLESS OTHERWISE SPECIFIED: 一般公差		APVD K.KOBAYASHI 13FEB2015	TE Connectivity	
0 PLC ± 0.15 1 PLC ± 0.15 2 PLC ± 0.15 3 PLC ± - 4 PLC ± - ANGLES ± 3°		PRODUCT SPEC 製品規格 108-140083	NAME 名称 PIN PUSH TRAY TYPE CONNECTOR 3 IN 2 FOR 4FF AND MCIRO SD CARD	
MATERIAL 材料 △		APPLICATION SPEC 取付適用規格	SIZE A2	RESTRICTED TO
FINISH 仕上 △		WEIGHT	CAGE CODE 00779	DRAWING NO. 番号 C=2290741
		CUSTOMER DRAWING	SCALE 尺度 5:1	SHEET 1 of 4 REV E

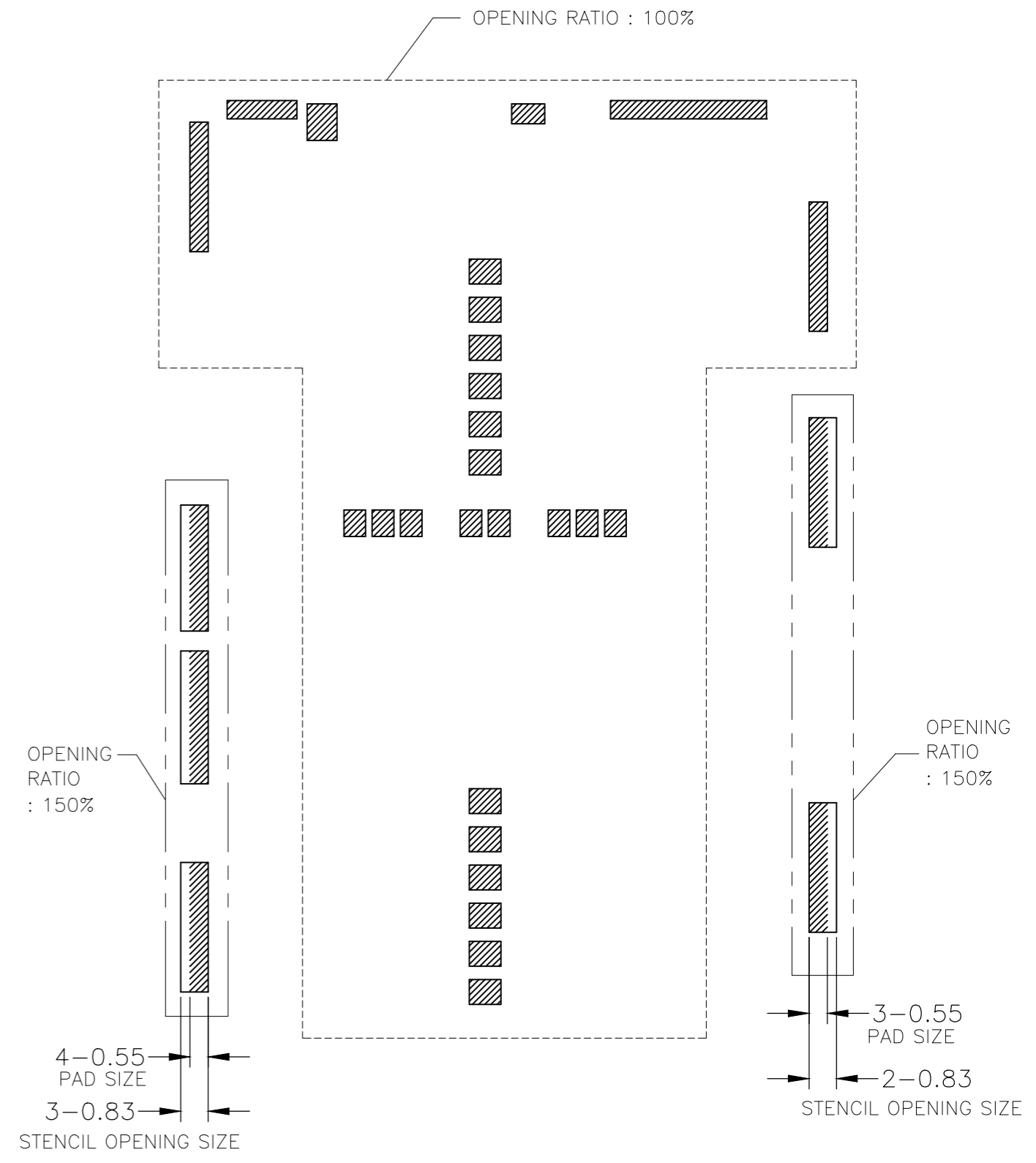
REVISIONS					
P	LTR	DESCRIPTION	DATE	DWN	APVD
-	-	SEE SHEET 1	-	-	-



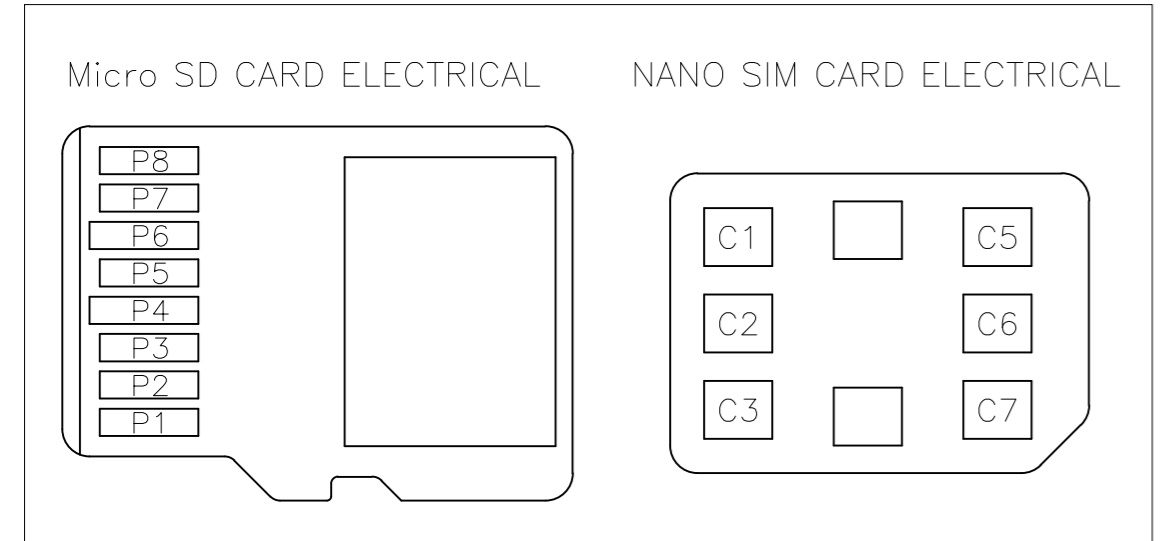
REFERENCE PCB LAYOUT (TOLERANCE : +/-0.05)
FROM MOUNTING SURFACE



REFERENCE PCB LAYOUT (TOLERANCE : +/-0.05)
FROM MOUNTING SURFACE



REFERENTIAL STENCIL DESIGN
 PAD AREA
 STENCIL OPENING AREA



CONNECTOR PIN ASSIGNMENT

ITEM	FUNCTION
Micro SD CARD	
P1	DAT2
P2	CD/DAT3
P3	CMD
P4	VDD
P5	CLK
P6	VSS
P7	DAT0
P8	DAT1
SW	TRAY DETECTION SW
S	SHELL GND
NANO SIM CARD	
C1	VCC
C2	RST
C3	CLK
C5	GND
C6	VPP
C7	DATA

CARD PIN ASSIGNMENT

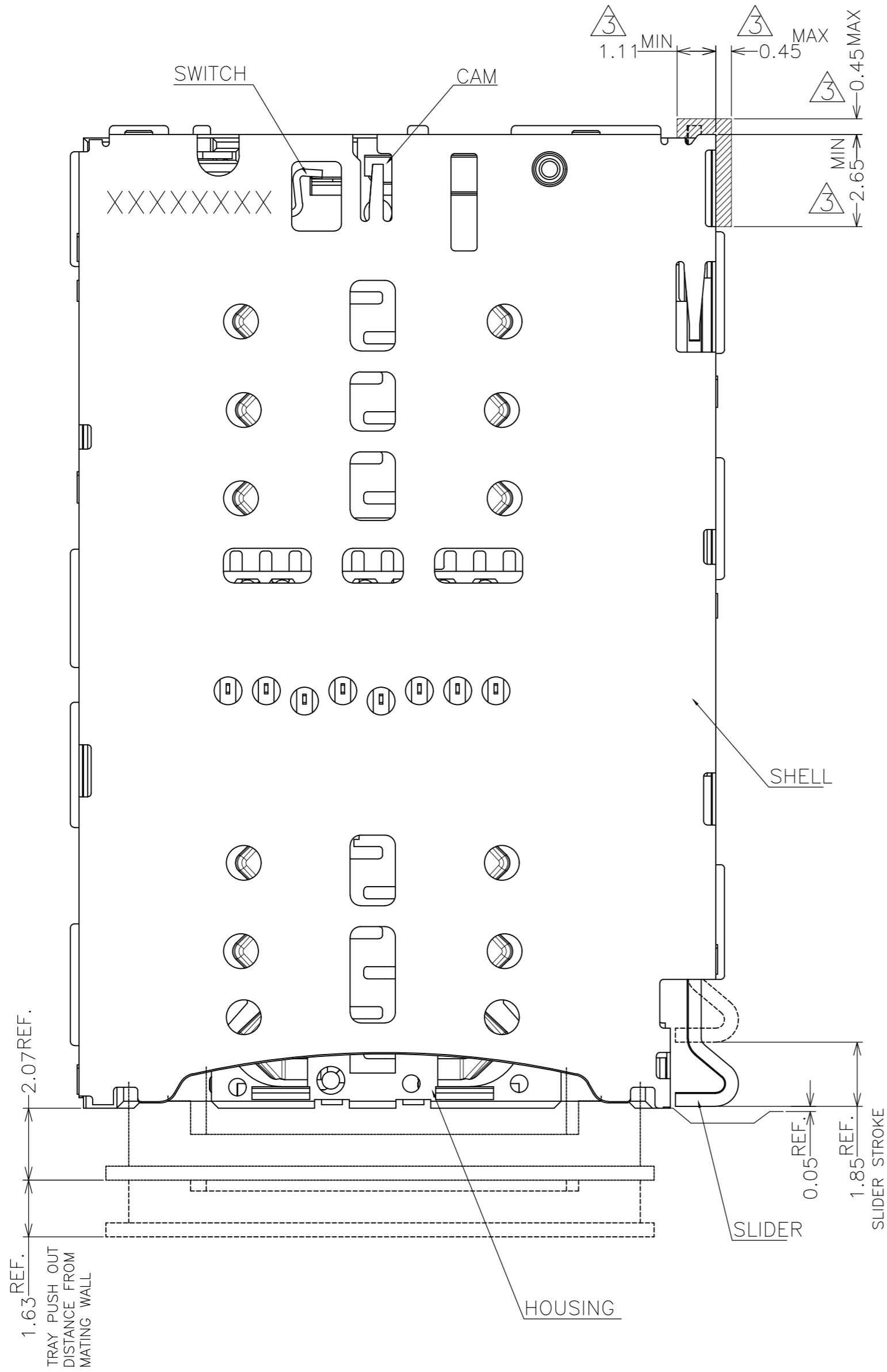
ITEM	FUNCTION
Micro SD CARD	
P1	DAT2
P2	CD/DAT3
P3	CMD
P4	VDD
P5	CLK
P6	VSS
P7	DAT0
P8	DAT1
NANO SIM CARD	
C1	VCC
C2	RST
C3	CLK
C5	GND
C6	VPP
C7	DATA

THIS DRAWING IS A CONTROLLED DOCUMENT.

DIMENSIONS: 單位: 耗 mm	TOLERANCES UNLESS OTHERWISE SPECIFIED: 一般公差	DWN	TE Connectivity NAME 名稱 PIN PUSH TRAY TYPE CONNECTOR 3 IN 2 FOR 4FF AND MICRO SD CARD
0 PLC ± 1 PLC ± 2 PLC ± 3 PLC ± 4 PLC ± ANGLES ±	FINISH 仕上	CHK	
MATERIAL 材料	SCALE 尺度 6:1	APVD	PRODUCT SPEC 製品規格
	SHEET 2 of 4	WEIGHT	APPLICATION SPEC 取付適用規格
	REV E	CUSTOMER DRAWING	SIZE A2 CAGE CODE 00779 DRAWING NO. 番号 C=2290741 RESTRICTED TO

THIS DRAWING IS UNPUBLISHED. RELEASED FOR PUBLICATION
 © COPYRIGHT - By - ALL RIGHTS RESERVED.

REVISIONS				
P	LTR	DESCRIPTION	DATE	APVD
-	-	SEE SHEET 1	-	-



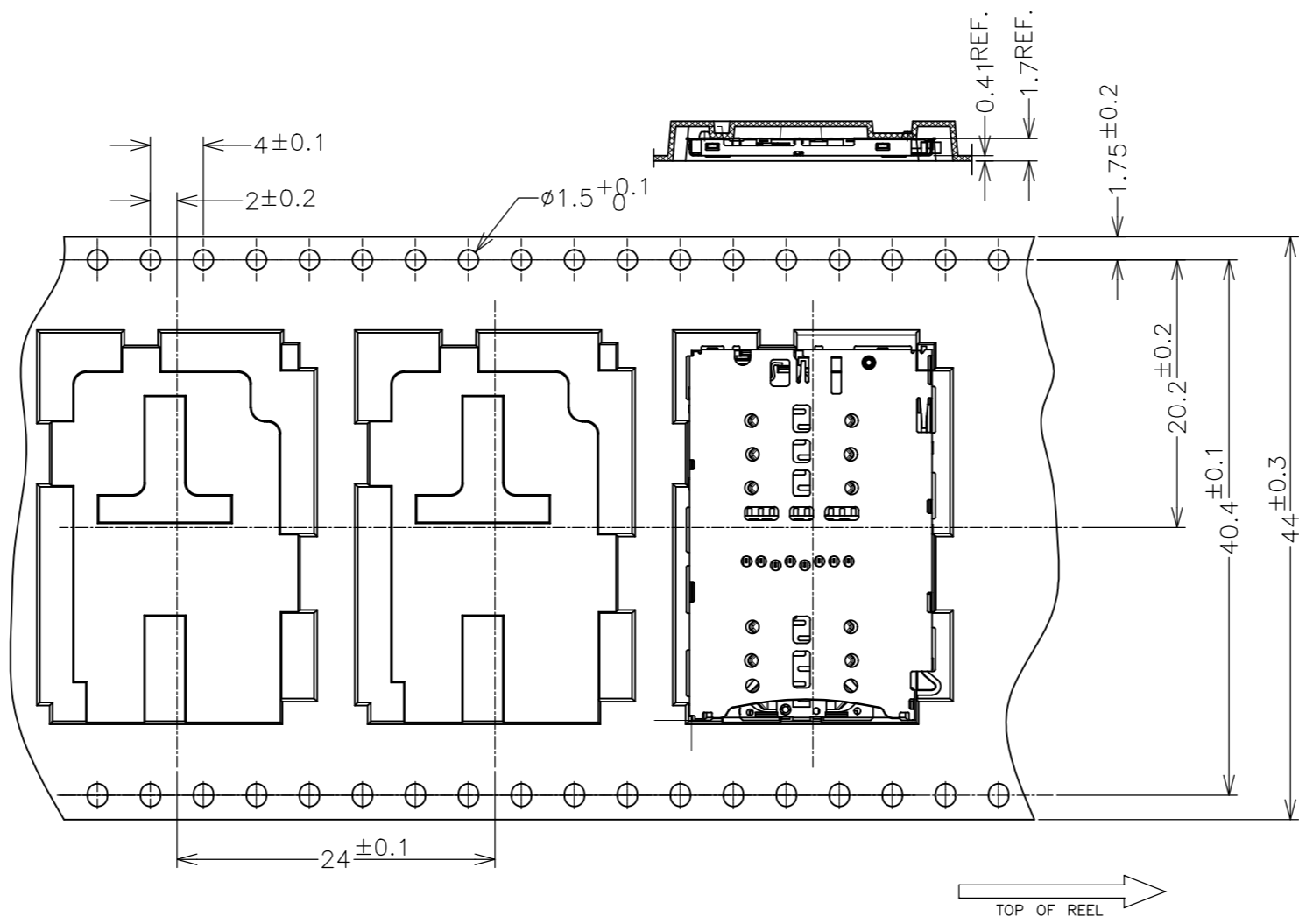
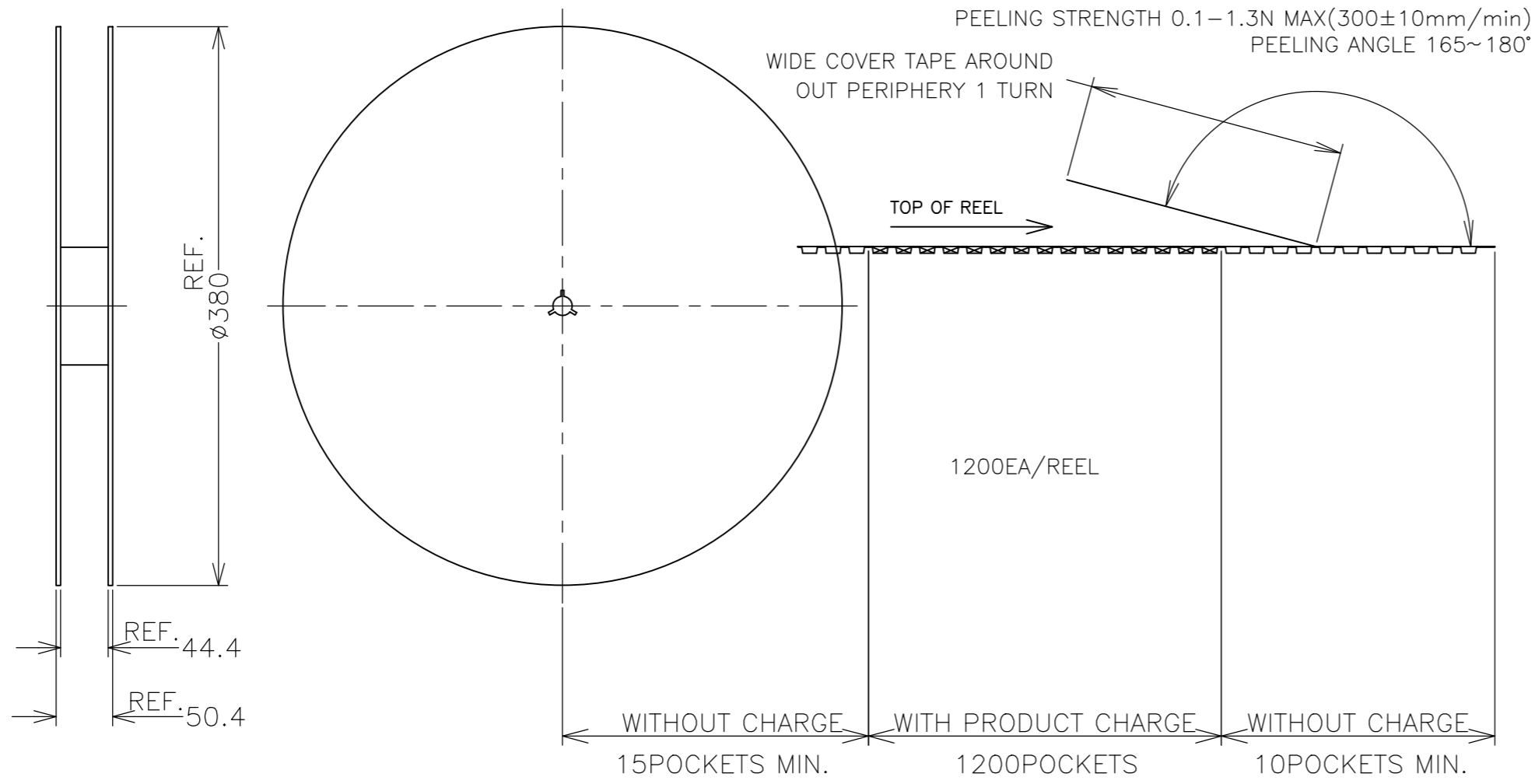
APPLICATION VIEW FOR TRAY

THIS DRAWING IS A CONTROLLED DOCUMENT.		DWN		
DIMENSIONS: 單位: 耗 mm		CHK		
TOLERANCES UNLESS OTHERWISE SPECIFIED: 一般公差		APVD	NAME 名稱	
0 PLC ±		PRODUCT SPEC 製品規格	PIN PUSH TRAY TYPE CONNECTOR	
1 PLC ±		APPLICATION SPEC 取付適用規格	3 IN 2 FOR 4FF AND MCIRO SD CARD	
2 PLC ±		WEIGHT	SIZE	CAGE CODE
3 PLC ±		FINISH 仕上	A2	00779
4 PLC ±			DRAWING NO 番号	C=2290741
ANGLES ±		CUSTOMER DRAWING	SCALE 尺度	SHEET 3 of 4
FINISH 仕上		RESTRICTED TO	8:1	REV E

2290741

THIS DRAWING IS UNPUBLISHED. RELEASED FOR PUBLICATION
 © COPYRIGHT - By - ALL RIGHTS RESERVED.

REVISIONS				
P	LTR	DESCRIPTION	DATE	APVD
-	-	SEE SHEET 1	-	-



THIS DRAWING IS A CONTROLLED DOCUMENT.		DWN		
DIMENSIONS: 單位: 耗 mm TOLERANCES UNLESS OTHERWISE SPECIFIED: 一般公差 0 PLC ± 1 PLC ± 2 PLC ± 3 PLC ± 4 PLC ± ANGLES ±		CHK		
MATERIAL 材料 FINISH 仕上		APVD	PIN PUSH TRAY TYPE CONNECTOR 3 IN 2 FOR 4FF AND MCIRO SD CARD	
		PRODUCT SPEC 製品規格	SIZE A2	CAGE CODE 00779
		APPLICATION SPEC 取付適用規格	DRAWING NO. 番号 C=2290741	RESTRICTED TO
		WEIGHT	SCALE 尺度 NTS	SHEET 4 OF 4
		CUSTOMER DRAWING	REV E	

2290741

单击下面可查看定价，库存，交付和生命周期等信息

[>>TE Connectivity\(泰科\)](#)