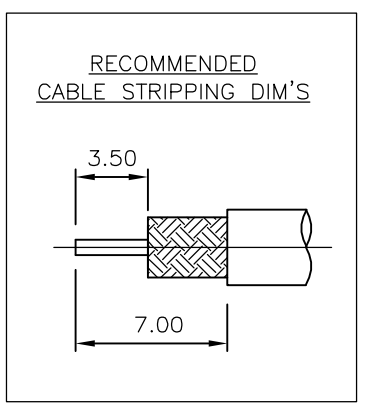
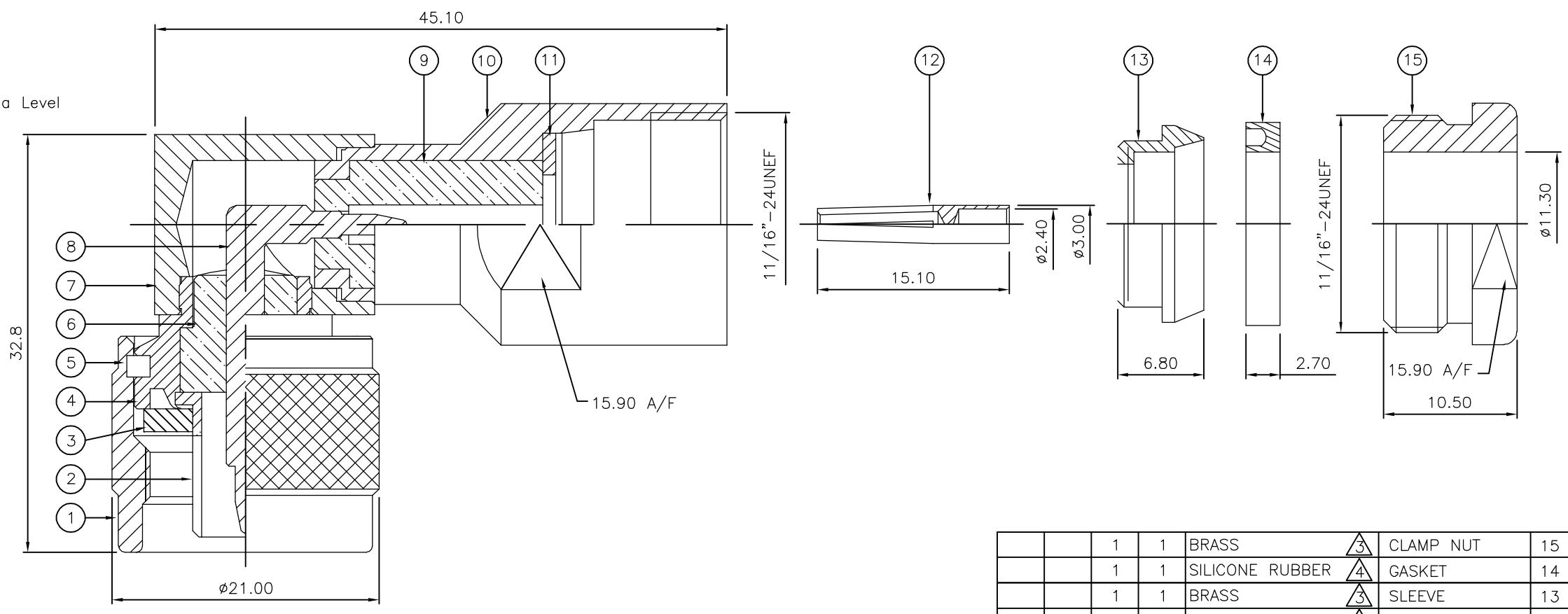


THIS DRAWING IS UNPUBLISHED. RELEASED FOR PUBLICATION AUGUST, 2006.
 © COPYRIGHT 2006 BY TYCO ELECTRONICS CORPORATION. ALL RIGHTS RESERVED.

LOC	DIST	REVISIONS			
P	LTR	DESCRIPTION	DATE	DWN	APVD
E	B	B	ECR-06-018891	21AUG06	JMS FWK

- NOTES:**
- 1 PACK IN ACCORDANCE WITH AMP SPEC 107-3275
 - 2 100 TRAY PACK IN ACCORDANCE WITH AMP SPEC 107-3275
 - 3 Ag PLATING
 - 4 THIS ITEM MUST BE WHITE
- 5 **ELECTRICAL CHARACTERISTICS**
 FREQUENCY RANGE: DC - 11 GHz
 NOMINAL IMPEDANCE: 50 Ohm
 INSULATION RESISTANCE: 5000 MOhm
 WORKING VOLTAGE: 1000 Volts RMS at Sea Level
 DIELECTRIC WITHSTAND VOLTAGE: 2500 Volts RMS Max
 CONTACT RESISTANCE:
 CENTRE CONTACT: 1.00 mOhm Max
 OUTER CONTACT: 1.00 mOhm Max
 VSWR @ 4GHz: 1.50:1 Max
 INSERTION LOSS dB @ x 4 GHz: 0.30 Max
- 6 **MECHANICAL CHARACTERISTICS**
 COUPLING RETENTION FORCE: 445N Min
 CABLE RETENTION FORCE: 350N Min
 CLAMP NUT RECOMMENDED TORQUE: 4.5N
 DURABILITY: 500 Cycles Min
- 7 **ENVIRONMENTAL CHARACTERISTICS**
 OPERATING TEMPERATURE: -65 to +165 DegC
- 8 FOR TECHNICAL DATA REFER TO YOUR LOCAL TYCO ELECTRONICS SALES OFFICE
- 9 ALL DIMENSIONS ARE NOMINAL FOR REFERENCE ONLY UNLESS OTHERWISE STATED



QTY	UNIT	MATERIAL	DESCRIPTION	ITEM
1	1	BRASS	CLAMP NUT	15
1	1	SILICONE RUBBER	GASKET	14
1	1	BRASS	SLEEVE	13
1	1	BRASS	CONTACT 2	12
1	1	BRASS	WASHER	11
1	1	BRASS	CHASSIS 2	10
1	1	PTFE	INSULATION 2	9
1	1	BRASS	CONTACT 1	8
1	1	BRASS	BODY 2	7
1	1	PTFE	INSULATION 1	6
1	1	BRASS	CIRCLIP	5
1	1	BRASS	BODY 1	4
1	1	SILICONE RUBBER	GASKET	3
1	1	BRASS	CHASSIS 1	2
1	1	BRASS	COUPLING NUT	1
6--0	1--0	MATERIAL	DESCRIPTION	ITEM

THIS DRAWING IS A CONTROLLED DOCUMENT.		DWN J.SANDWELL 21AUG06		Tyco Electronics Corporation Bideford EX39 4HE	
DIMENSIONS: mm		CHK S.PARLOW 21AUG06			
TOLERANCES UNLESS OTHERWISE SPECIFIED:		APVD F.WHEELER-KING 21AUG06		NAME	
0 PLC ± -		PRODUCT SPEC		TYPE 'N' ELBOW PLUG SOLDER 50 OHM	
1 PLC ± -		APPLICATION SPEC		1/4M, RG8A/U, 213/U, URM67, KX4	
2 PLC ± -		411-3254		SIZE	CAGE CODE
3 PLC ± -		WEIGHT -		A3	00779
4 PLC ± -		CUSTOMER DRAWING		DRAWING NO C-1478208	
ANGLES ± -		SCALE NTS		SHEET 1 OF 1	
FINISH -		RESTRICTED TO -		REV B	

单击下面可查看定价，库存，交付和生命周期等信息

[>>TE Connectivity\(泰科\)](#)