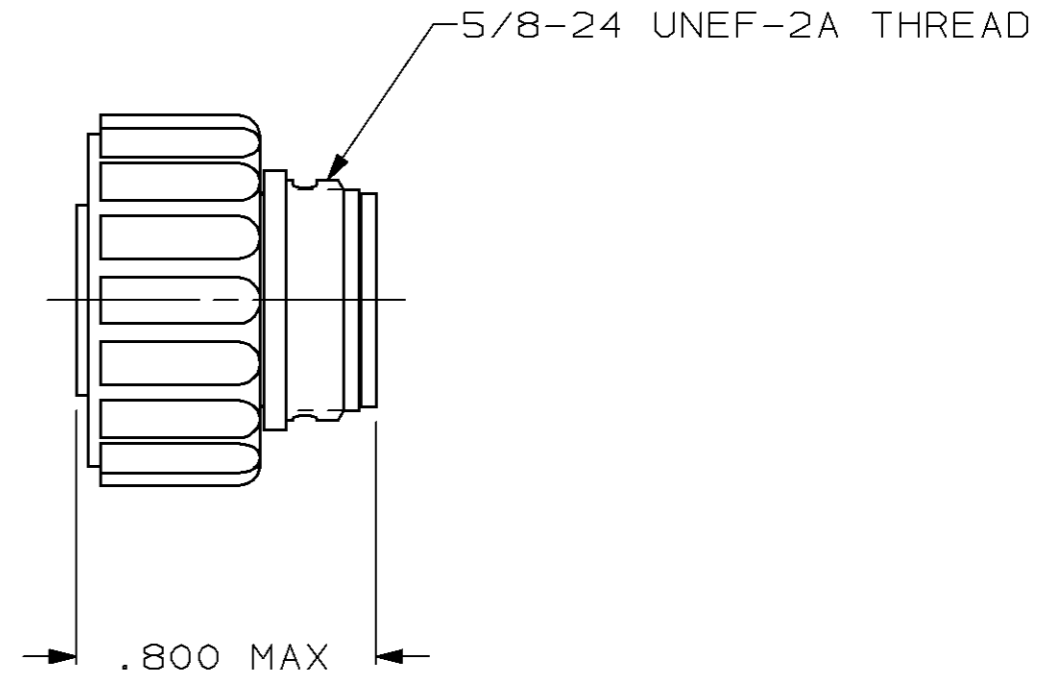
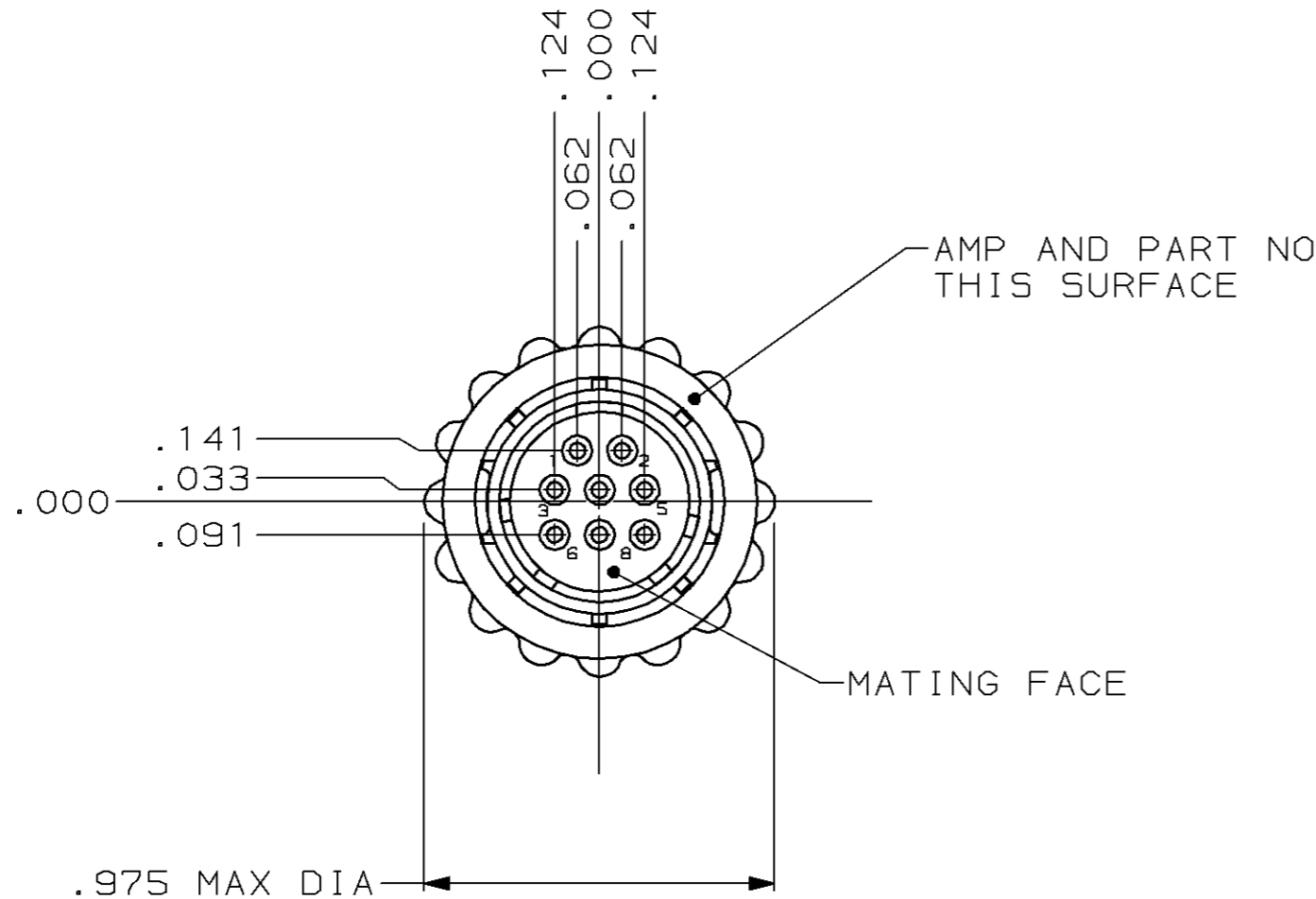


THIS DRAWING IS UNPUBLISHED. RELEASED FOR PUBLICATION, 19
 © COPYRIGHT 19 BY AMP INCORPORATED. ALL INTERNATIONAL RIGHTS RESERVED.

LOC	DIST	P	F	ZONE	LTR	DESCRIPTION	DATE	APPD
FT	4				C	REDRAWN	4/8/91	-
					D	REV PER EC 0020-568-95	14 JUL 95	AF
					E	OBSOLETE -1 PER EC 0020-559-96	03 JAN 97	TW
					F	REACTIVATE -1 PER EC 0GIC-0084-98	28 MAY 98	RW



206460-1
PART NUMBER

- CONTACT CAVITIES IDENTIFIED BY CHARACTERS ON FRONT AND REAR FACES OF CONNECTOR.
- WILL ACCEPT (8) SIZE 20 SOCKET CONTACTS.

DO NOT SCALE PRINT, UNLESS SPECIFIED DIMENSIONS IN INCHES TOLERANCES ON: 2 PLC DEC ± - 3 PLC DEC ± .005 ANGLES ± -	DR 4/8/91 A.STAUB BG	AMP AMP Incorporated Harrisburg, PA 17105-3608
	CHK 7-23-92 W.G.LENKER	
	APPD 7-23-92 K.BEAVER	
	APPD 7-23-92 C.ROHDE	
MATERIAL GLASS FILLED NYLON 6/6, BLACK	PRODUCT SPEC 108-10024	NAME PLUG ASSEMBLY, FEED THRU, SERIES 2, 11-8, CPC
FINISH -	APPLICATION SPEC -	SIZE B CAGE CODE 00779 DRAWING NO 206460
	WEIGHT -	SCALE 2:1 SHEET 1 OF 1

单击下面可查看定价，库存，交付和生命周期等信息

[>>TE Connectivity\(泰科\)](#)