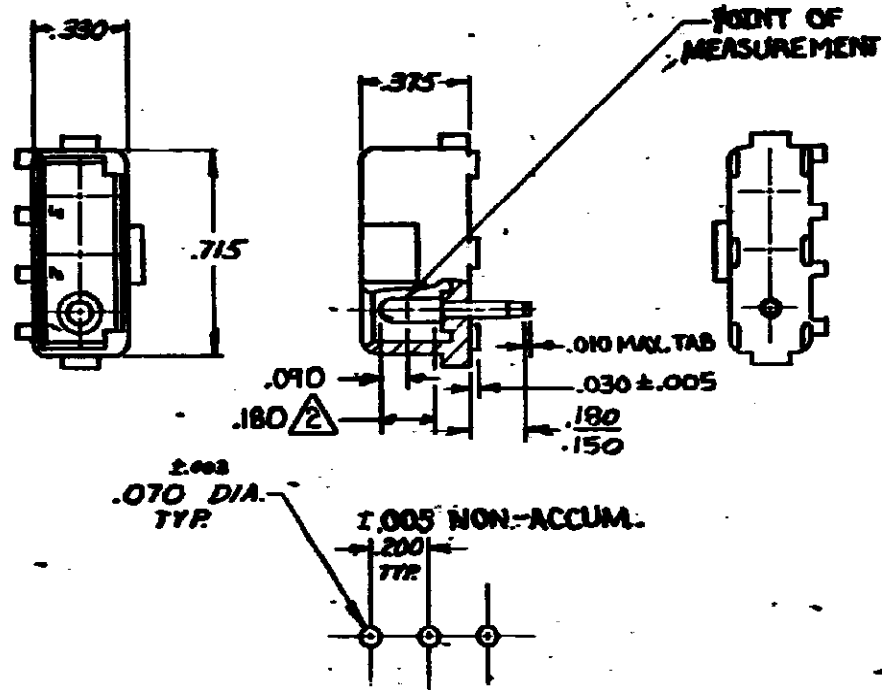


WAS P-79-G102



RECOMMENDED LAYOUT FOR
.062 THICK P.C. BOARD

- PARTS COMPLY WITH TE SOLDERABILITY SPEC. 109-11-3
- CONTACT IS PLATED OVERALL WITH .000050 NIKEL, THEN .000030 GOLD OVER CONTACT LENGTH INDICATED AND TIN PLATED ON SOLDER TAIL END.
- DIMENSION SHOWN REPRESENT PRODUCT IN DRY CONDITION. ADDITIONAL 2% GROWTH DUE TO END USE LOCATION MOISTURE ABSORPTION MAY OCCUR AND SHOULD BE ACCOUNTED FOR.

SUPERSEDED BY
1586532-2

ASSEMBLY NO	5-350541-2	HSG. MATL & COLOR	NYLON - GREEN	PIN MATL & FINISH	COPPER ALLOY - GOLD
ASSEMBLY NO	350541-2	HSG. MATL & COLOR	NYLON NATURAL	PIN MATL & FINISH	COPPER ALLOY GOLD
ASSEMBLY NO	350541-1	HSG. MATL & COLOR	NYLON - NATURAL	PIN MATL & FINISH	COPPER ALLOY - PRE-TIN
© 1973 BY AMP INCORPORATED. ALL RIGHTS RESERVED. AMP PRODUCTS COVERED BY PATENTS AND/OR PATENTS PENDING.					
DR	5-20-73		MATERIAL AND FINISH		TE Connectivity CLASS .084 DIA. PIN TYPE POSITIVE LOCK
CHK	g. Eckman		SEE TABLE		
DE	4/1/73		WIRE RANGE - INSULATION		TOLERANCE EXCEPT AS NOTED ± .015 ± .10°
APP	4-10-73		SCALE		1/16 CM B NO 350541 L3
NAME			3 CIRCUIT MATE-N-LOK P.C. BOARD HEADER		

L3	REVISED PER ECR-21-117185	PJ VS	25OCT 2021
L2	REVISED PER ECR-18-008156	JB/DZ	19JUN 2018
L1	REVISED PER ECR-13-008342	AV/RP	12NOV 2013
L	OBsolete 1-24 3-1,4,5,6-1,2,1 8-1,9-1,2,2,3,7 4-2,6,7,7,2,9,2,4,8	RS 4-21 86	

M	RESTORED	RS	2/77
K	REV. PER M-7375	RS	7/77
J	REV. PER M-7285	DH	7/78
H	ADDED NOTE 2 R-6194	DH	7/78
G	REV. PER M-5134	DH	7/78
F	REV. Tail Length M-5334	DH	7/78
E	REVISED M-3932	DH	2-8/77
D	ECN M-3877	DW	7/76
C	RELEASED	DW	7/76
B	ECN M-3452	GV	7/76
A	ECN M-3152	RC	7/76
LTN	REVISION RECORD	DR	DATE

NUMBER	DESCRIPTION
350541	

单击下面可查看定价，库存，交付和生命周期等信息

[>>TE Connectivity\(泰科\)](#)