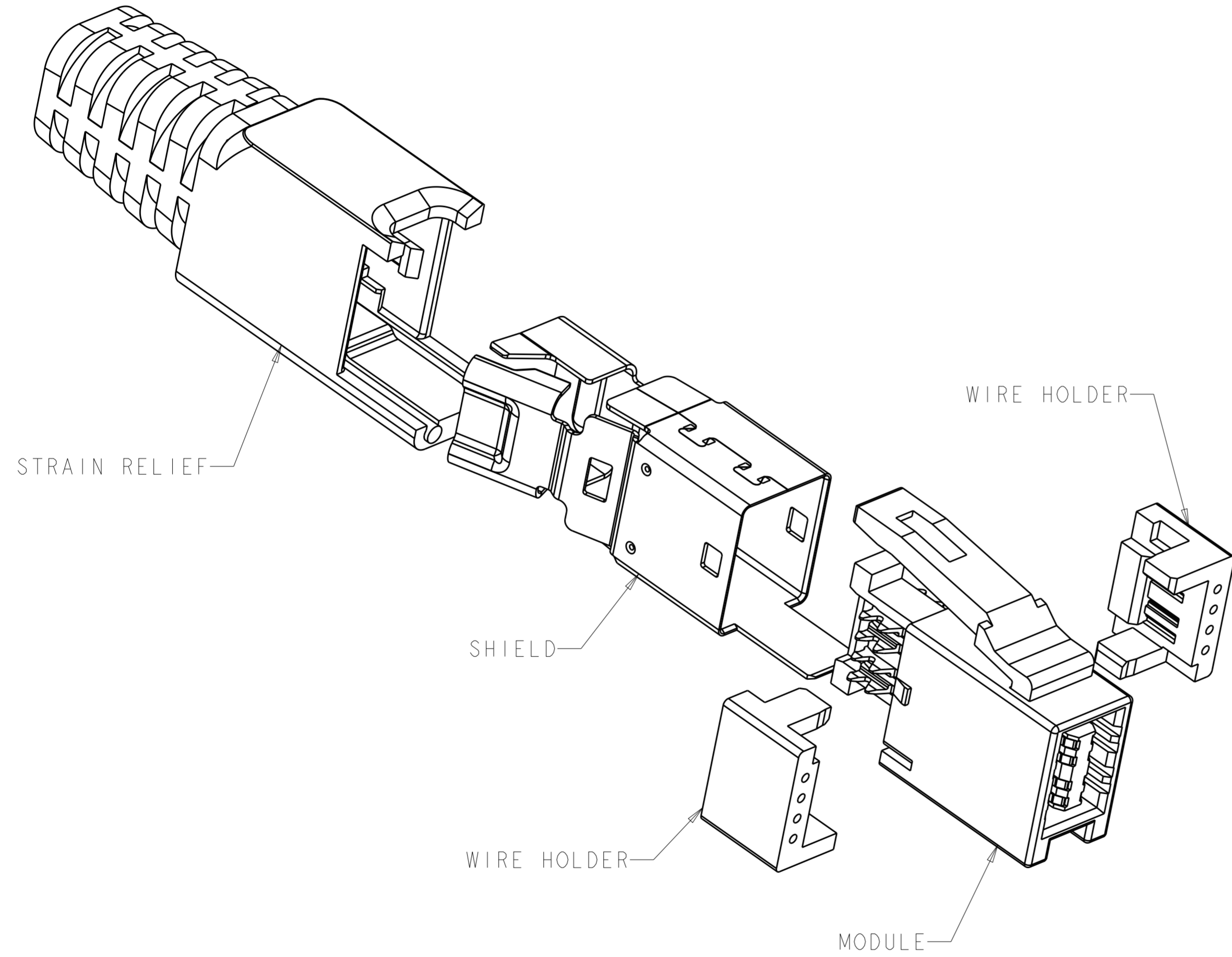


THIS DRAWING IS UNPUBLISHED. RELEASED FOR PUBLICATION 20  
 © COPYRIGHT 20 BY - ALL RIGHTS RESERVED.

LOC	DIST	REVISIONS					
AG	00	P	LTR	DESCRIPTION	DATE	DWN	APVD
		A		ECO-14-008111	29MAY2014	LL	SH



- 1. MATERIAL :  
 MODULE HOUSING AND COVERS: POLYCARBONATE, CLEAR.  
 MODULE CONTACTS: BRASS WITH 0.076µm MIN GOLD OVER  
 0.68µm PALLADIUM-NICKEL ON MATING INTERFACE  
 OVER 1.27µm MIN NICKEL.  
 SHIELD: STAINLESS STEEL, PASSIVATE.  
 STRAIN RELIEF: ELASTOMER POLYOLEFIN.  
 LIGHTPIPE: POLYCARBONATE, CLEAR.  
 TETHER: NYLON 6/6.
- 2. PRODUCT FOR USE WITH QUABBIN CABLE P/N 5400 OR  
 OTHER CAT5e QUALIFIED CABLE WITH THE FOLLOWING  
 MECHANICAL CONSTRAINTS:  
 CABLE ONLY WITH FOIL (FTP)  
 CENTER CONDUCTOR- 26 AWG STRANDED  
 PRIMARY INSULATION DIAMETER 0.89 TO 0.99mm  
 MAX JACKET O.D. - 5.60MM
- 3. REFER TO APPLICATION SPECIFICATION 114-13235 FOR  
 COMPLETE ASSEMBLY INSTRUCTIONS
- 4. PRODUCT TO BE TERMINATED USING HAND TOOL  
 P/N 2031734-1
- 5. BULK PACKAGING

5	2170497-1	2170497-2
1	1	2170497-1
QTY PER KIT	MATERIAL	PART NUMBER

THIS DRAWING IS A CONTROLLED DOCUMENT.		DWN DAVID SHEN 4 JAN 2013	<b>STE</b> TE Connectivity	
		CHK SANDERS YAN 4 JAN 2013		
DIMENSIONS: mm		APVD ALEX CAI 4 JAN 2013	NAME SHIELDED PLUG KIT RJ POINT FIVE	
TOLERANCES UNLESS OTHERWISE SPECIFIED:		PRODUCT SPEC 108-60097	SIZE CAGE CODE DRAWING NO RESTRICTED TO	
0 PLC ±		APPLICATION SPEC 114-13235	A200779 C-2170497	
1 PLC ±		WEIGHT -	SCALE 1:1 SHEET 1 OF 2 REV A	
2 PLC ±				
3 PLC ±				
4 PLC ±				
ANGLES ±				
FINISH				
MATERIAL				
Customer Drawing				

THIS DRAWING IS UNPUBLISHED. RELEASED FOR PUBLICATION 20  
 © COPYRIGHT 20 BY - ALL RIGHTS RESERVED.

LOC	DIST	REVISIONS					
AG	00	P	LTR	DESCRIPTION	DATE	DWN	APVD
		-		SEE SHEET 1	-	-	-

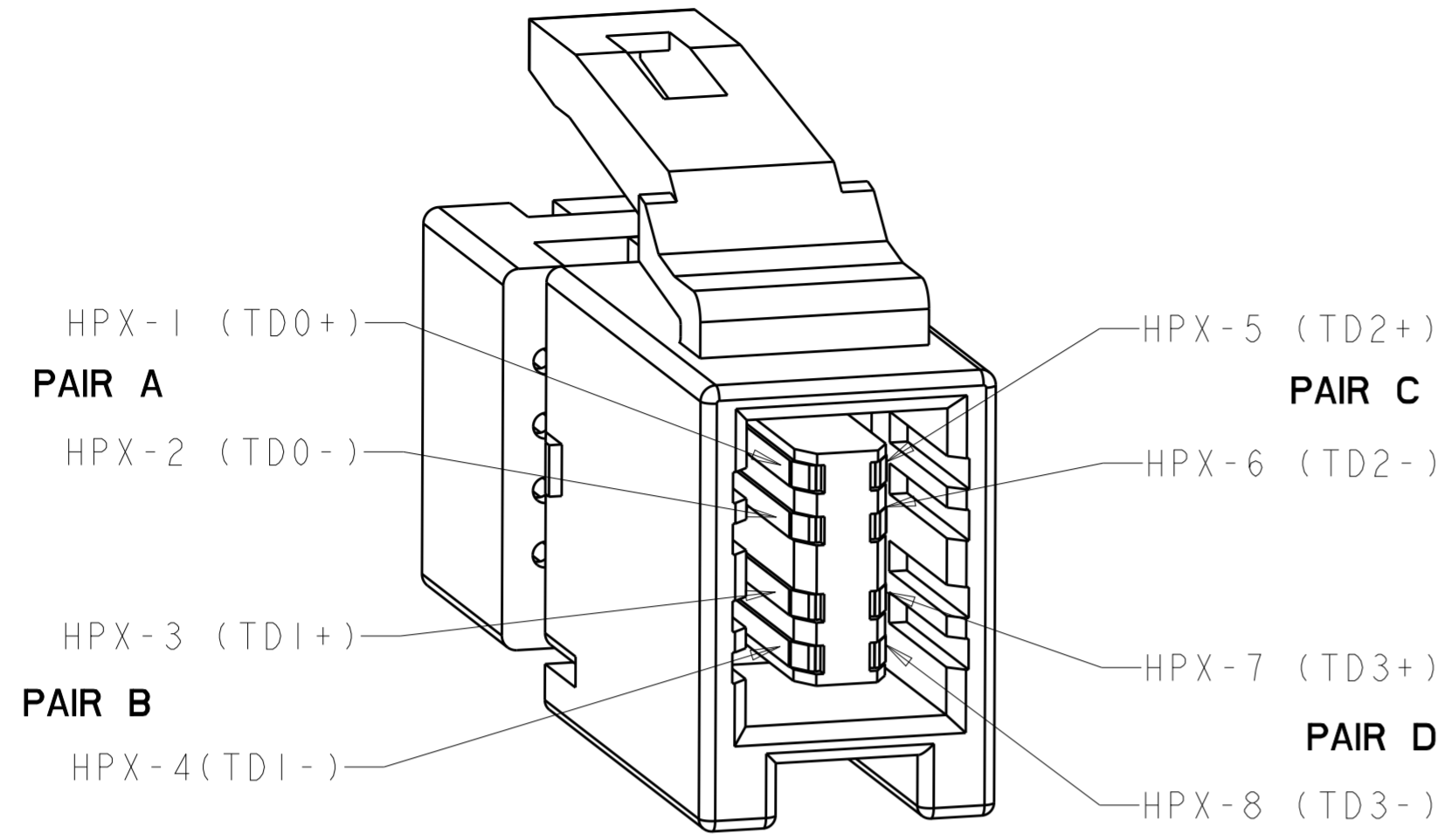


FIGURE 1  
 SCALE 8:1

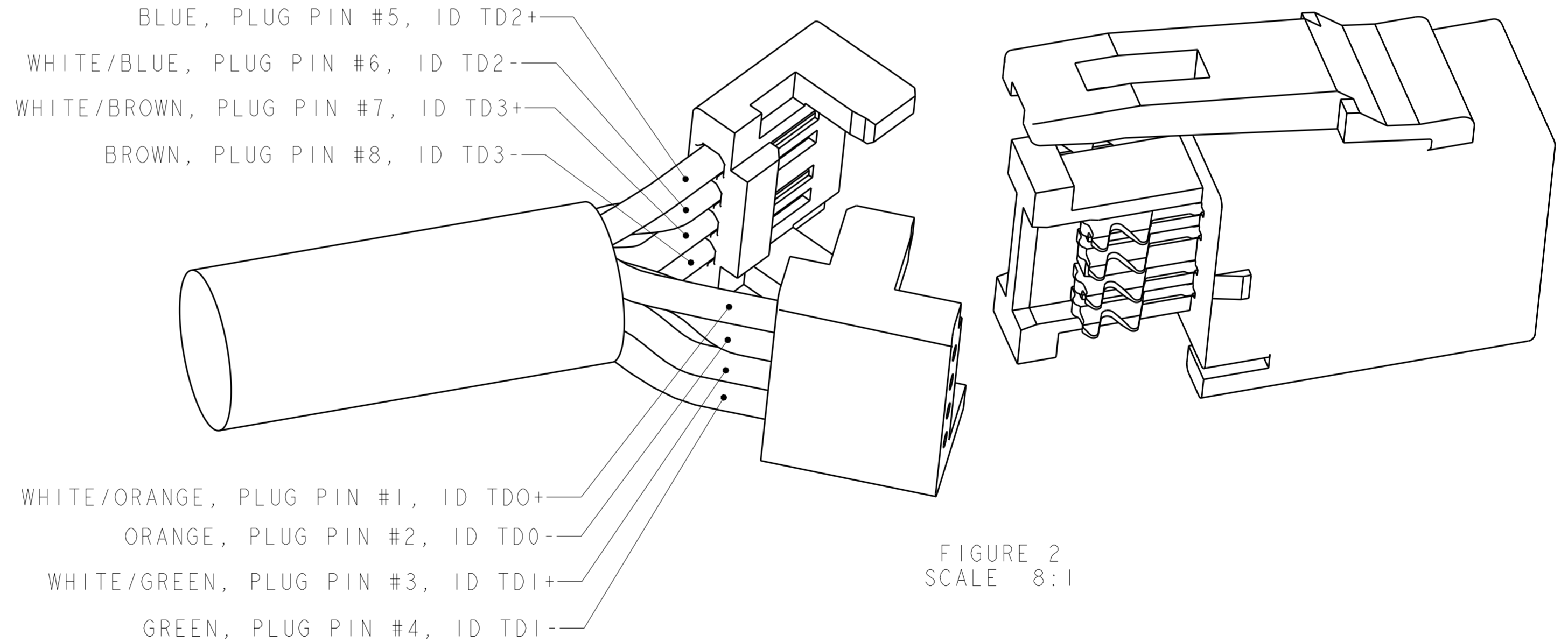


FIGURE 2  
 SCALE 8:1

THIS DRAWING IS A CONTROLLED DOCUMENT.		DWN DAVID SHEN 4 JAN 2013	TE Connectivity	
		CHK SANDERS YAN 4 JAN 2013		
		APVD ALEX CAI 4 JAN 2013	NAME SHIELDED PLUG KIT RJ POINT FIVE	
DIMENSIONS: mm		PRODUCT SPEC 108-60097	SIZE CAGE CODE DRAWING NO RESTRICTED TO	
TOLERANCES UNLESS OTHERWISE SPECIFIED:		APPLICATION SPEC 114-13235	A200779 C-2170497	
MATERIAL		WEIGHT	SCALE 1:1 SHEET 2 OF 2 REV A	
		Customer Drawing		

单击下面可查看定价，库存，交付和生命周期等信息

[>>TE Connectivity\(泰科\)](#)