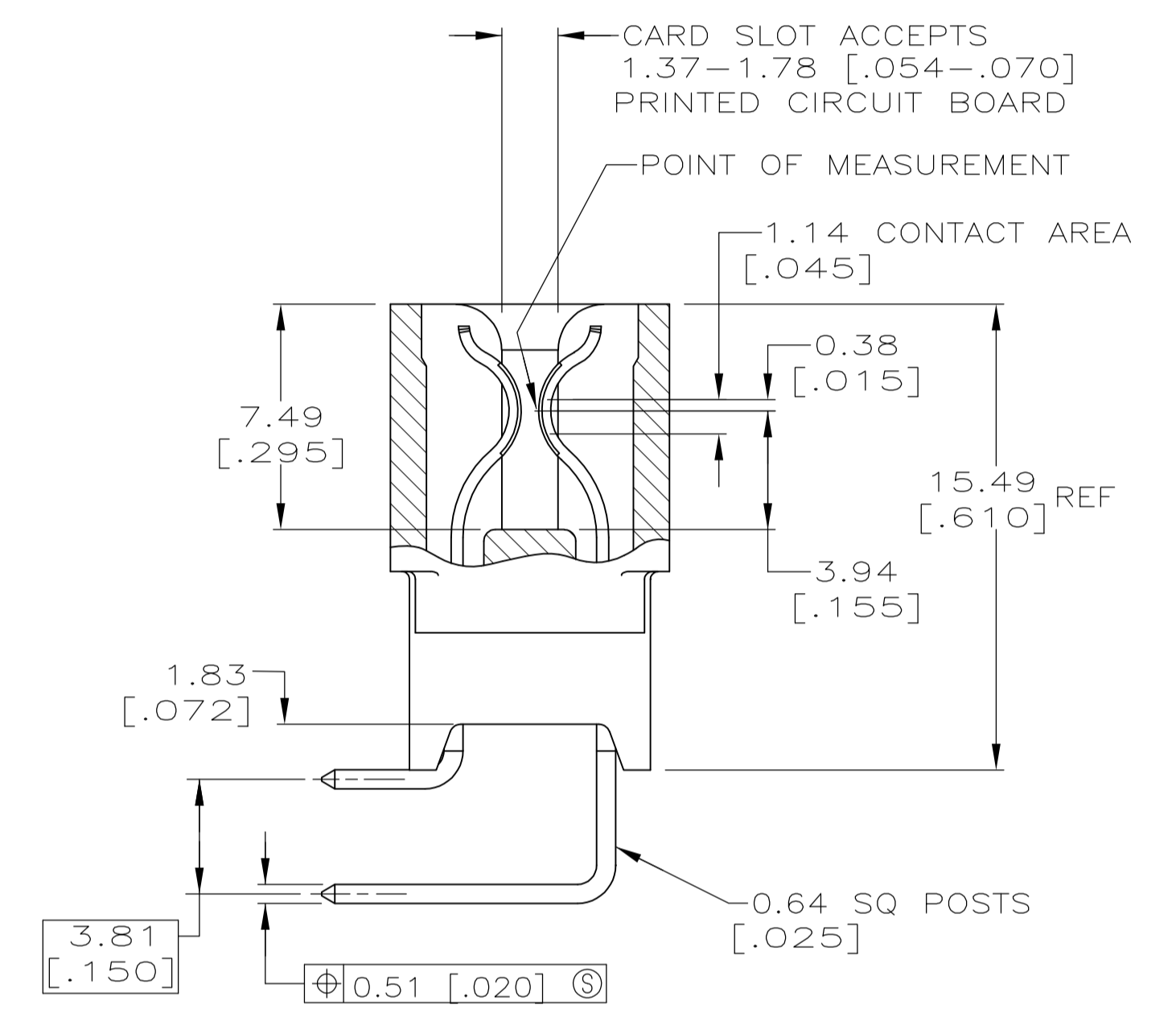
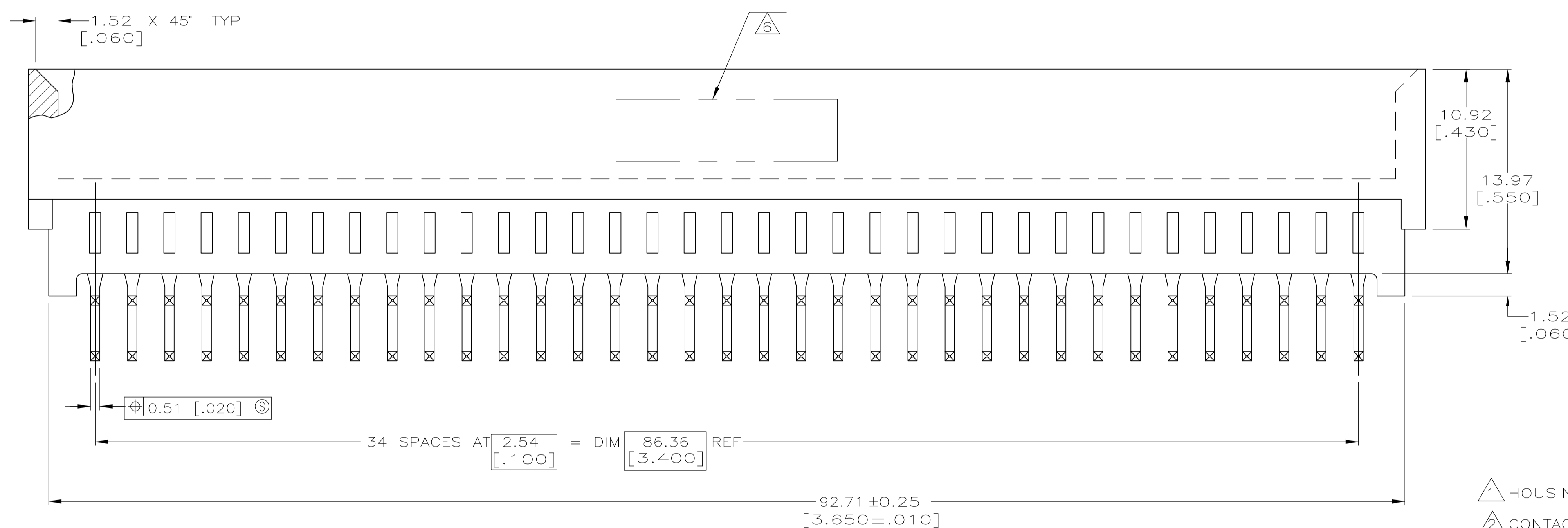
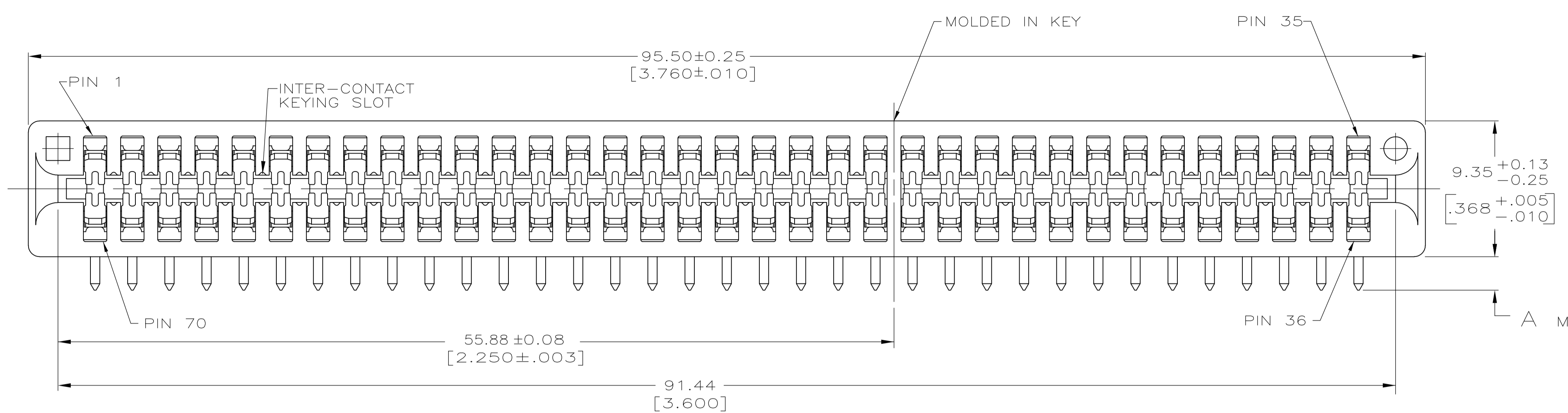
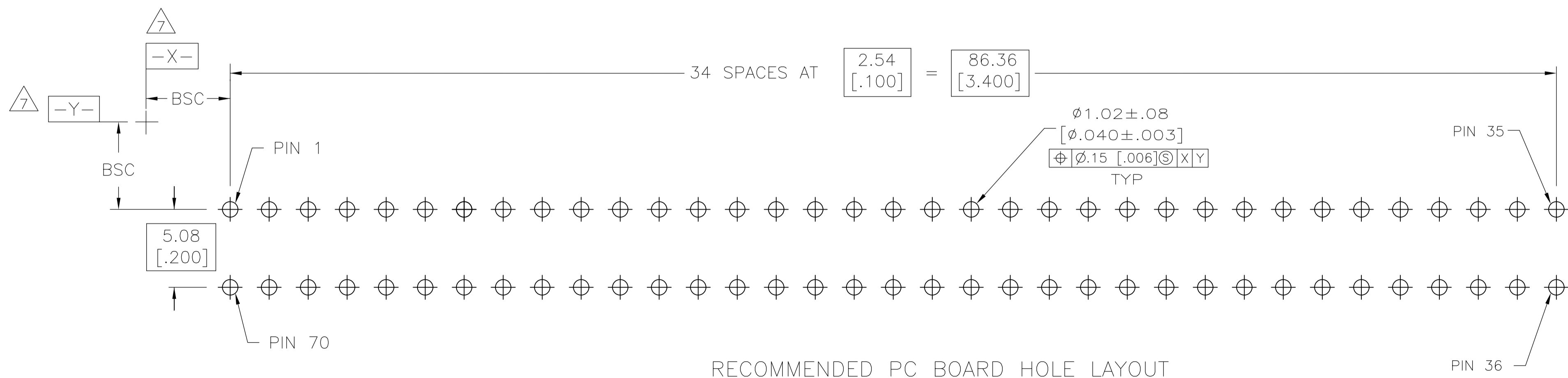


LOC		DIST		REVISONS			
GP	00	REV	DATE	BY	CHK	APPV	
D		REVISED PER EC 0512-0467-04	21 OCT 04	AWF	AWF		
D1		REVISED PER ECO-09-020935	31AUG09	KK	AEG		



- ① HOUSING: GLASS FILLED POLYESTER; COLOR: BLACK.
- ② CONTACT: PHOSPHOR BRONZE.
- ③ NICKEL PLATE: 0.00127 [0.000050] MIN - ALL OVER. NICKEL PLATE PER MIL-G-45204.
- ④ TIN-LEAD PLATE: 0.00254 [0.000100] MIN - SOLDER POSTS.
- ⑤ GOLD PLATE: 0.00038 [0.000015] MIN - CONTACT AREA. GOLD PLATE PER QQ-N-290.
- ⑥ AMP PART NUMBER, DATE CODE AND CSA LOGO MAY BE MARKED IN APPROXIMATE AREA SHOWN, EITHER SIDE.
- ⑦ DATUMS PLUS BASIC DIMENSIONS ESTABLISHED BY CUSTOMER.
- ⑧ OBSOLETE PARTS: OBSOLETE CIS STREAMLINING PER D.RENAUD/D.SINISI



REV	DATE	BY	CHK	APPV
4.83 [0.190]	22/23	35		-145542-2-
2.29 [0.090]	NONE	35		145542-1
A	KEY LOCATION	NO OF POSN		PART NUMBER

-2 SHOWN

THIS DRAWING IS A CONTROLLED DOCUMENT.		DWN AL FRANTUM 13 JUN 03 CHK AL FRANTUM 13 JUN 03 APVD AL FRANTUM	Tyco Electronics Corporation Harrisburg, PA 17105
DIMENSIONS: UM 	TOLERANCES UNLESS OTHERWISE SPECIFIED: 0. PLC ± - 1. PLC ± - 2. PLC ± 0.13[005] 3. PLC ± - 4. PLC ± - ANGLES ± 1°	PRODUCT SPEC 108-9039-1 APPLICATION SPEC	NAME CONECTOR ASSEMBLY STANDARD EDGE II 2.54[.100] X3.81[.150], RT ANGLE
MATERIAL	FINISH	WEIGHT	RESTRICTED TO
		A1 00779 C=145542	
CUSTOMER DRAWING		SCALE 4:1	SHEET 1 OF 1 REV D1

单击下面可查看定价，库存，交付和生命周期等信息

[>>TE Connectivity\(泰科\)](#)