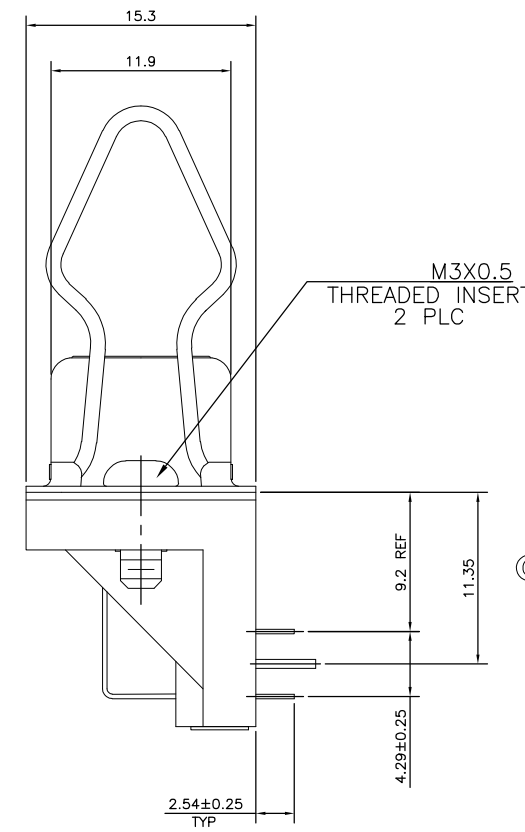
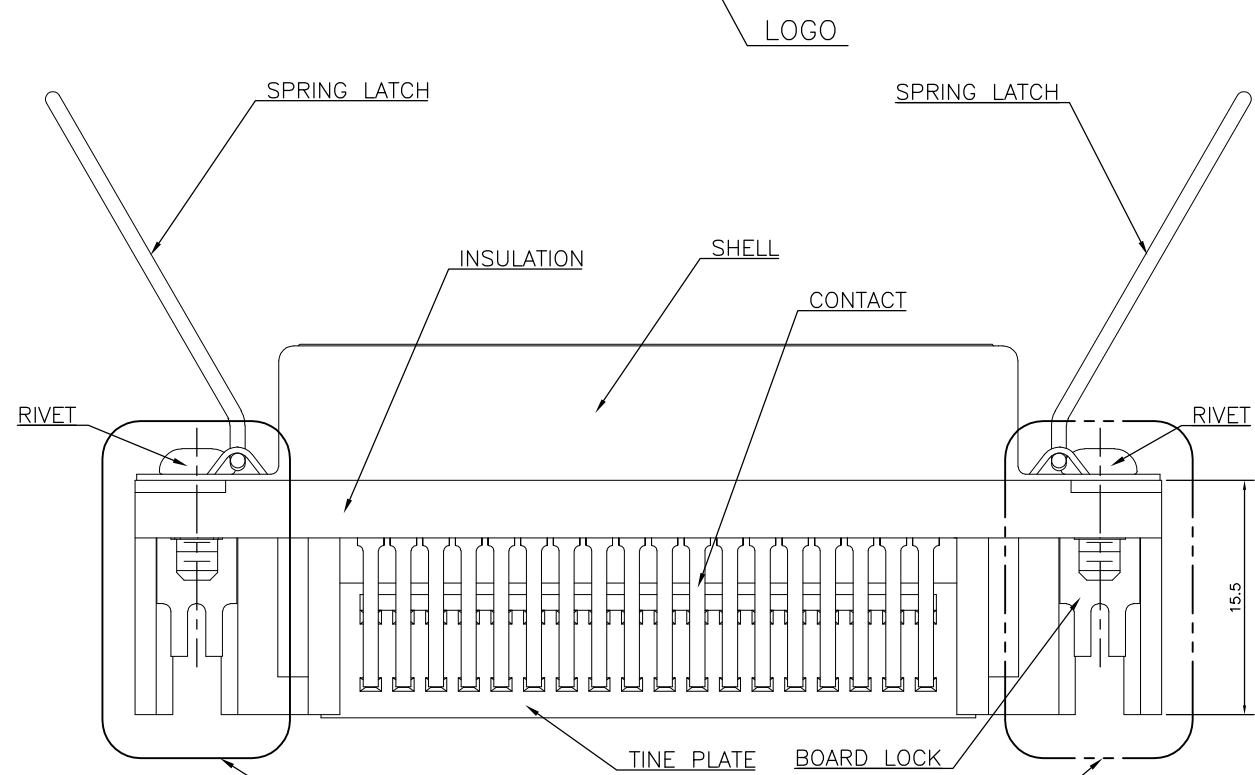
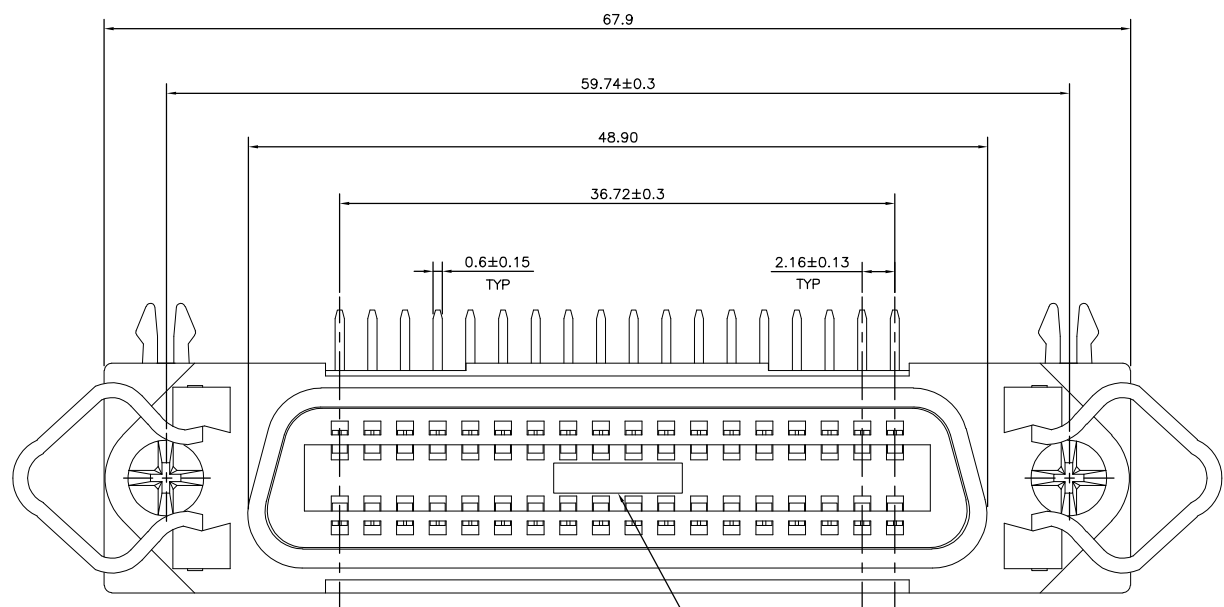


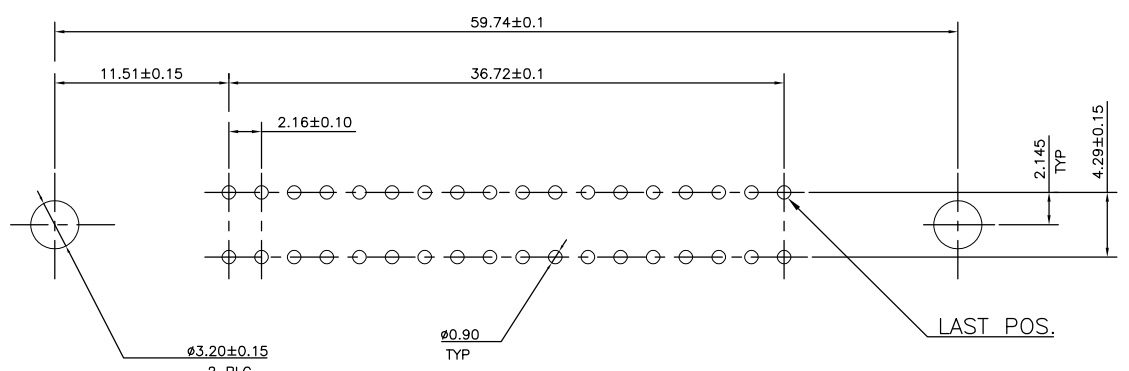
THIS DRAWING IS UNPUBLISHED. RELEASED FOR PUBLICATION
 © COPYRIGHT - By - ALL RIGHTS RESERVED.

LOC	DIST	REVISIONS			
P	LTR	DESCRIPTION	DATE	DWN	APVD
	C	REVISED PER ECR-12-013431	15APR2013	K.M	E.T



NOTE:
 1. MATERIAL:
 HOUSING: THERMOPLASTIC WITH GLASS-FIBER FILLED, UL 94V-0 RATED, COLOR: SEE TABLE.
 TINE PLATE: THERMOPLASTIC WITH GLASS-FIBER FILLED, UL 94V-0 RATED, COLOR: SEE TABLE
 CONTACTS: COPPER ALLOY.
 BOARD LOCK: BRASS.
 SPRING LATCH: STAINLESS STEEL
 SHELL: STEEL.
 RIVET: BRASS.
 2. FINISH:
 CONTACT: (SEE TABLE) GOLD PLATING ON CONTACT AREA, 2.54µm [100µ"] MIN. TIN-CU ON SOLDER TAIL, 1.27µm [50µ"] MIN. NICKEL UNDERPLATED ALL OVER.
 SHELL: 1.27µm [50µ"] MIN. NICKEL PLATED.
 BOARD LOCK: 3.81µm [150µ"] MIN. TIN-CU PLATED.
 RIVET: 1.27µm [50µ"] MIN. NICKEL PLATED.
 ⚠ SEE SHEET 4 FOR DIFFERENT POINT EXPLANATION.
 ⚠ SEE SHEET 3 FOR DIFFERENT POINT EXPLANATION.
 ⚠ SEE SHEET 4 FOR DIFFERENT POINT EXPLANATION.

CONSTRUCTIVE AND VISUAL CHANGE REFER TO DETAIL B (ONLY FOR 4-1734044-3)
 CONSTRUCTIVE AND VISUAL CHANGE REFER TO DETAIL A



REV	DESCRIPTION	MIN. THICKNESS	PART NUMBER
5	W/O BLACK	GOLD FLASH	5-1734044-3
4	W/O BLACK	GOLD FLASH	4-1734044-3
3	W/ RIVET(M3)	0.381um [15u"]	3-1734044-3
2	W/O BURGUNDY SCREW	0.381um [15u"]	2-1734044-1
1	W/O BLACK RIVET(M3)	0.381um [15u"]	1-1734044-3
	W/O BLACK RIVET	0.381um [15u"]	1-1734044-2
	W/O BLACK SCREW	0.381um [15u"]	1-1734044-1
	W/O BLACK RIVET(M3)	GOLD FLASH	1734044-3
	W/O BLACK RIVET	GOLD FLASH	1734044-2
	W/O BLACK SCREW	GOLD FLASH	1734044-1

THIS DRAWING IS A CONTROLLED DOCUMENT.		DWN S. CHIEN 27OCT2008	TE Connectivity	
DIMENSIONS: mm		CHK S. CHIEN 27OCT2008		
TOLERANCES UNLESS OTHERWISE SPECIFIED:		APVD W. KODAMA 27OCT2008	NAME	
0 PLC ± 0.38	1 PLC ± 0.25	108-57098		
2 PLC ± 0.13	3 PLC ± 0.05	RECEPTACLE ASSEMBLY, 36P RIGHT ANGLE, CENTRONICS.		
4 PLC ± -	ANGLES ± 3'	SIZE CAGE CODE DRAWING NO RESTRICTED TO		
MATERIAL SEE NOTES	FINISH SEE NOTES	PRODUCT SPEC	A3 00779 C-1734044	
		APPLICATION SPEC	SCALE SHEET 1 OF 5 REV C	
		WEIGHT GRAMS	CUSTOMER DRAWING	

THIS DRAWING IS UNPUBLISHED.

RELEASED FOR PUBLICATION

ALL RIGHTS RESERVED.

© COPYRIGHT - By -

LOC
DW

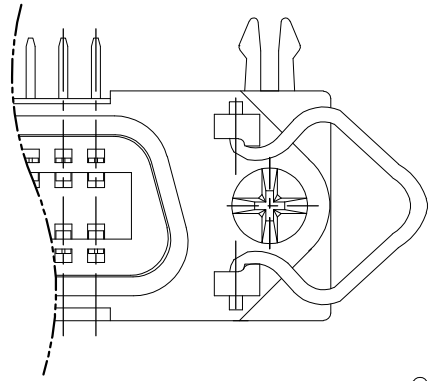
DIST
/

REVISIONS

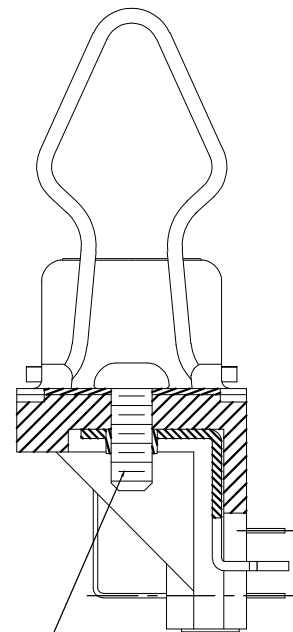
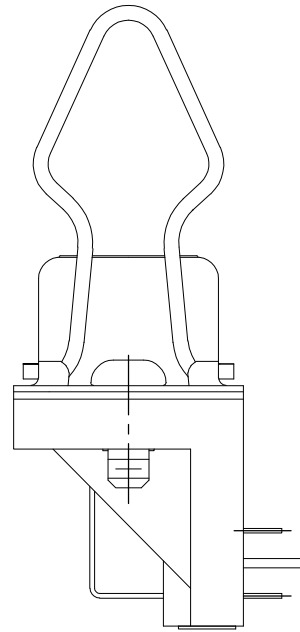
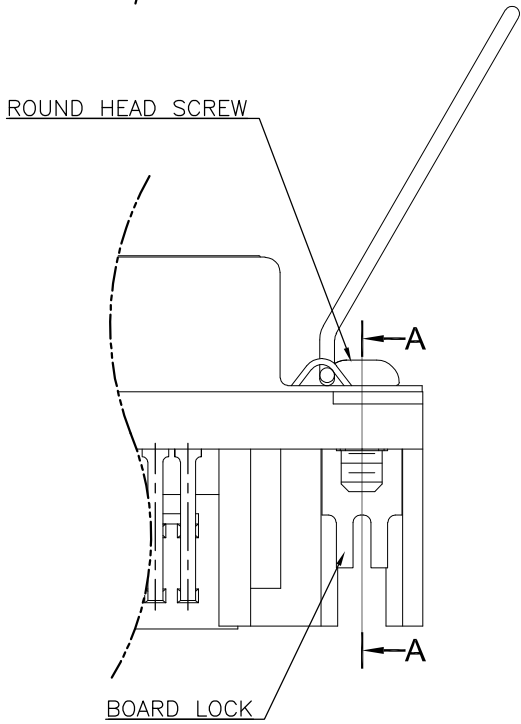
P	LTR	DESCRIPTION	DATE	DWN	APVD
-	-	SEE SHEET 1	-	-	-

DETAIL A

DETAIL A



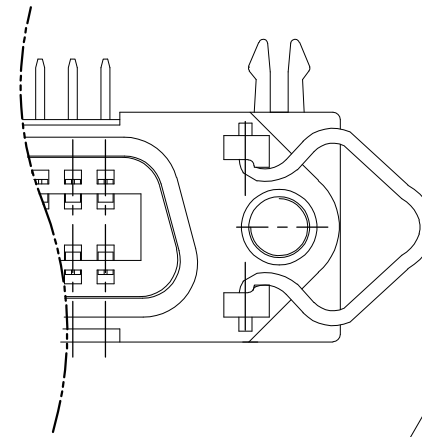
ROUND HEAD SCREW



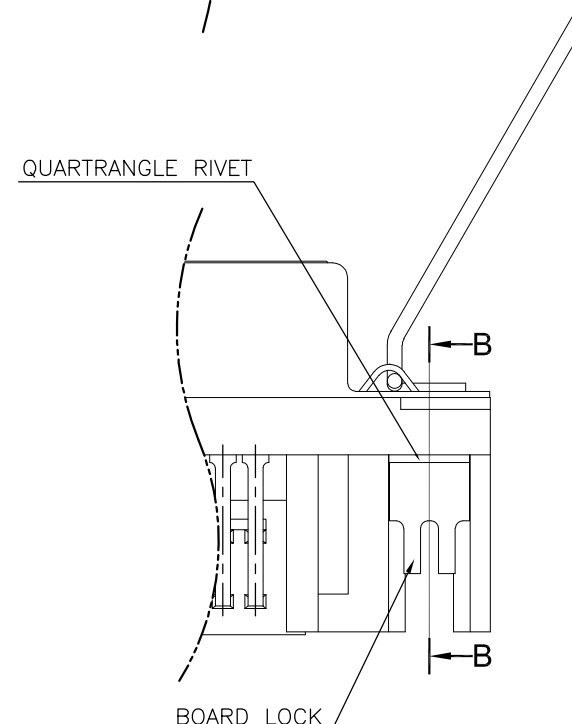
#4-40UNC

SECTION A-A

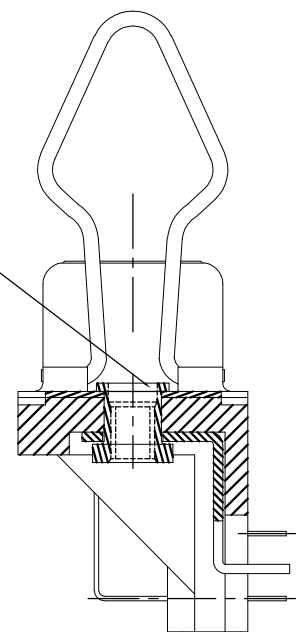
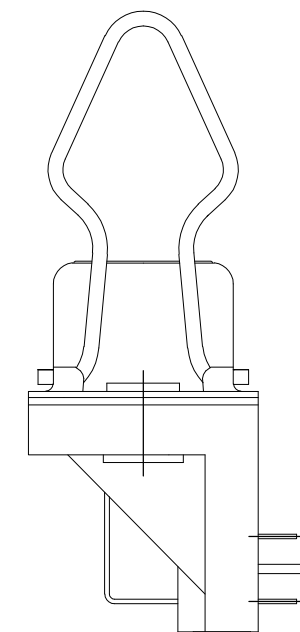
FOR X-1734044-1



QUARTRANGLE RIVET




#4-40UNC



SECTION B-B

FOR X-1734044-2

THIS DRAWING IS A CONTROLLED DOCUMENT.		DWN	 TE Connectivity																
DIMENSIONS: mm		CHK				NAME													
TOLERANCES UNLESS OTHERWISE SPECIFIED:		APVD							RECEPTACLE ASSEMBLY, 36P RIGHT ANGLE, CENTRONICS.										
<table border="1"> <tr><td>0 PLC</td><td>± 0.38</td></tr> <tr><td>1 PLC</td><td>± 0.25</td></tr> <tr><td>2 PLC</td><td>± 0.13</td></tr> <tr><td>3 PLC</td><td>± 0.05</td></tr> <tr><td>4 PLC</td><td>± -</td></tr> <tr><td>ANGLES</td><td>± -</td></tr> <tr><td>FINISH</td><td>± -</td></tr> </table>		0 PLC				± 0.38	1 PLC	± 0.25				2 PLC	± 0.13	3 PLC	± 0.05	4 PLC	± -	ANGLES	± -
0 PLC	± 0.38																		
1 PLC	± 0.25																		
2 PLC	± 0.13																		
3 PLC	± 0.05																		
4 PLC	± -																		
ANGLES	± -																		
FINISH	± -																		
MATERIAL		APPLICATION SPEC	CAGE CODE	DRAWING NO	RESTRICTED TO														
		WEIGHT	A3	00779	C-1734044														
		CUSTOMER DRAWING	SCALE	SHEET	REV														
			-	2 OF 5	C														

THIS DRAWING IS UNPUBLISHED.

RELEASED FOR PUBLICATION

ALL RIGHTS RESERVED.

© COPYRIGHT - By -

LOC
DW

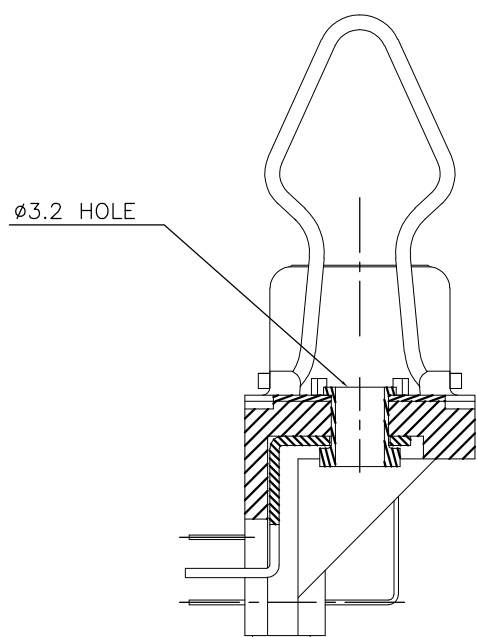
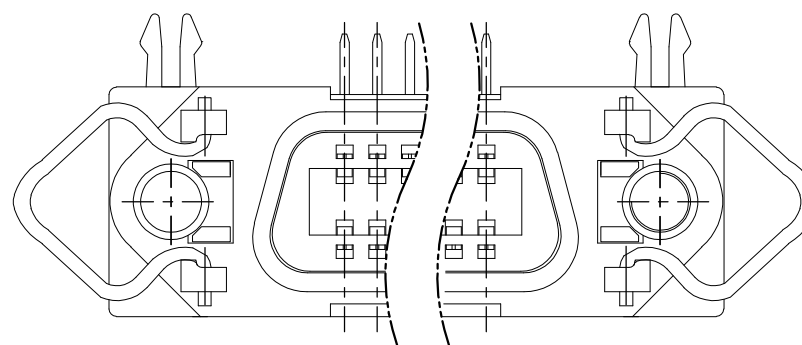
DIST
/

REVISIONS

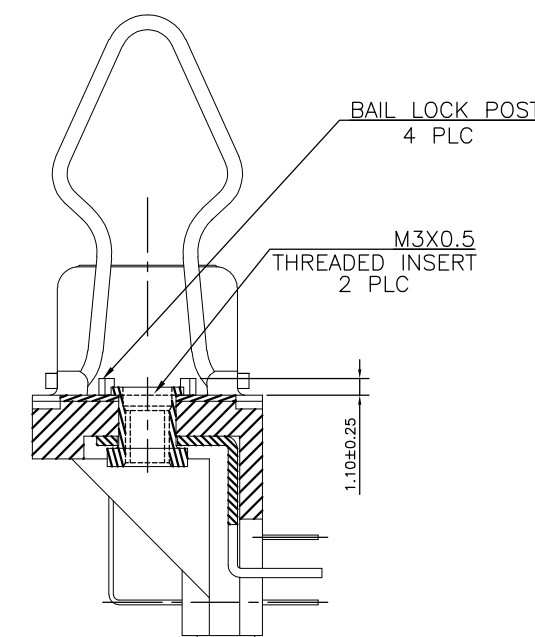
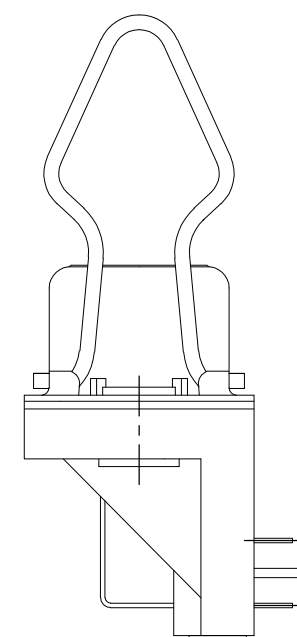
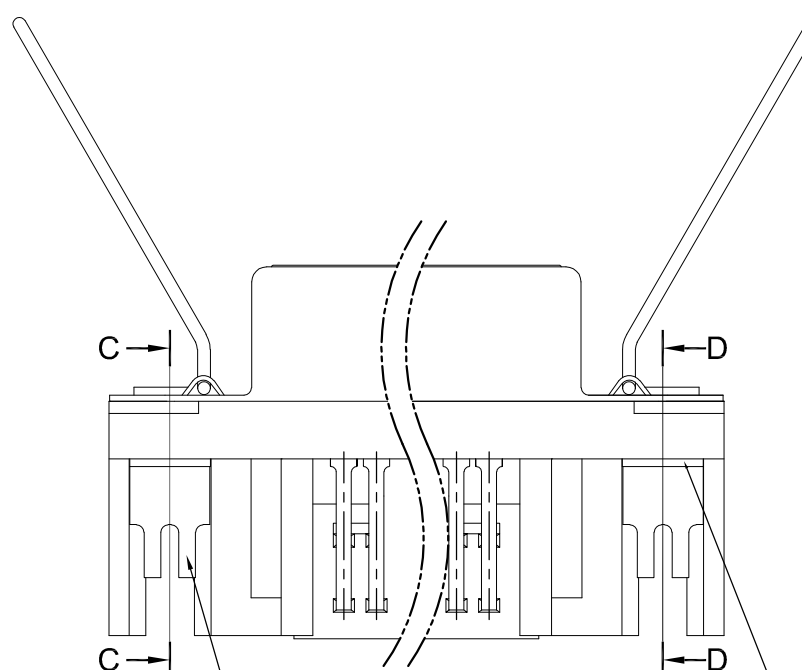
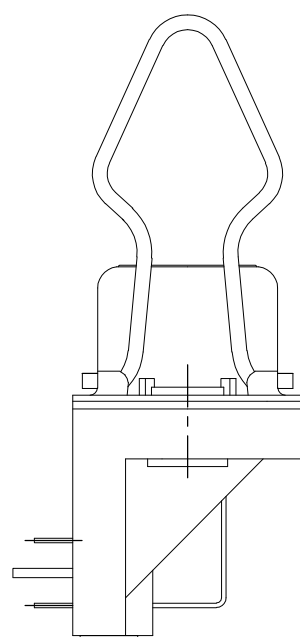
P	LTR	DESCRIPTION	DATE	DWN	APVD
-	-	SEE SHEET 1	-	-	-

DETAIL B

DETAIL A



SECTION C-C



SECTION D-D

ONLY FOR 4-1734044-3-4

THIS DRAWING IS A CONTROLLED DOCUMENT.		DWN	TE Connectivity NAME RECEPTACLE ASSEMBLY, 36P RIGHT ANGLE, CENTRONICS.			
DIMENSIONS: mm		CHK				
TOLERANCES UNLESS OTHERWISE SPECIFIED:		APVD				
0 PLC ± - 1 PLC ± - 2 PLC ± - 3 PLC ± - 4 PLC ± - ANGLES ± - FINISH		PRODUCT SPEC				
MATERIAL		APPLICATION SPEC	SIZE	CAGE CODE	DRAWING NO	RESTRICTED TO
		WEIGHT	A3	00779	C-1734044	-
CUSTOMER DRAWING			SCALE	SHEET	REV	
			-	3 OF 5	C	

THIS DRAWING IS UNPUBLISHED.

RELEASED FOR PUBLICATION

ALL RIGHTS RESERVED.

© COPYRIGHT - By -

LOC
DW

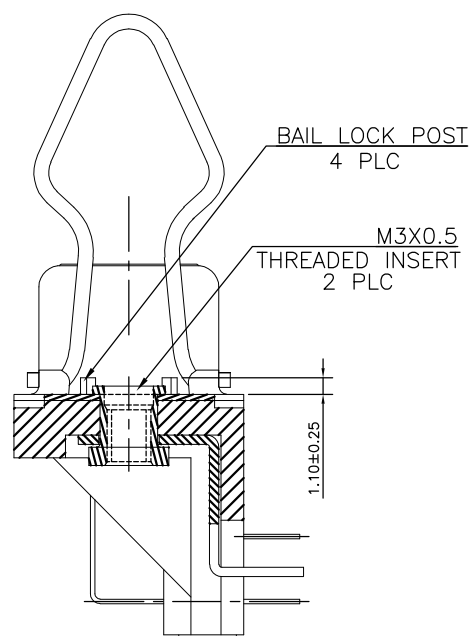
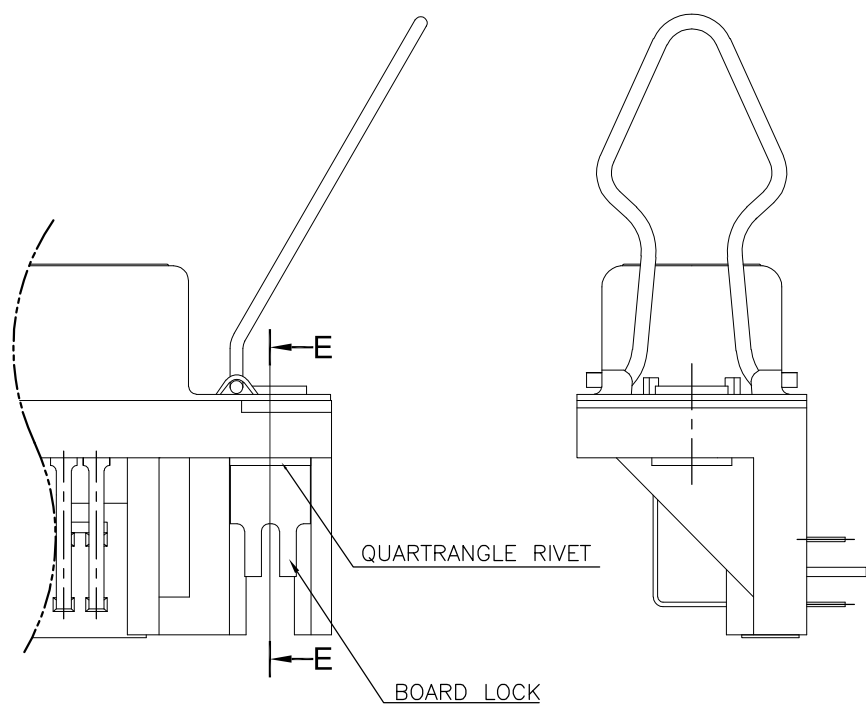
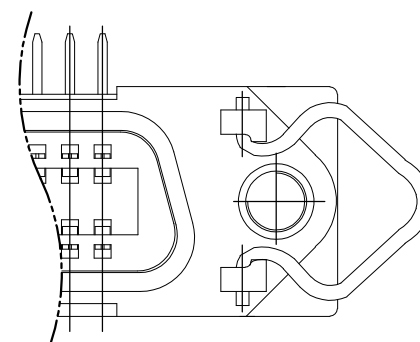
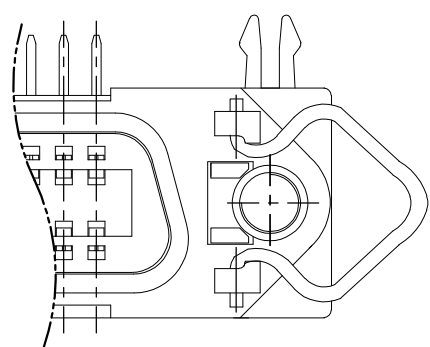
DIST
-

REVISIONS

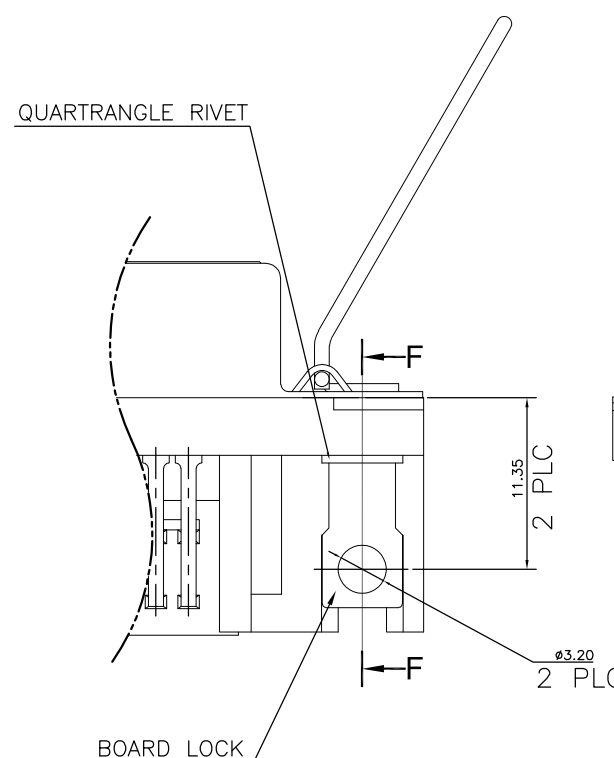
P	LTR	DESCRIPTION	DATE	DWN	APVD
-	-	SEE SHEET 1	-	-	-

DETAIL A

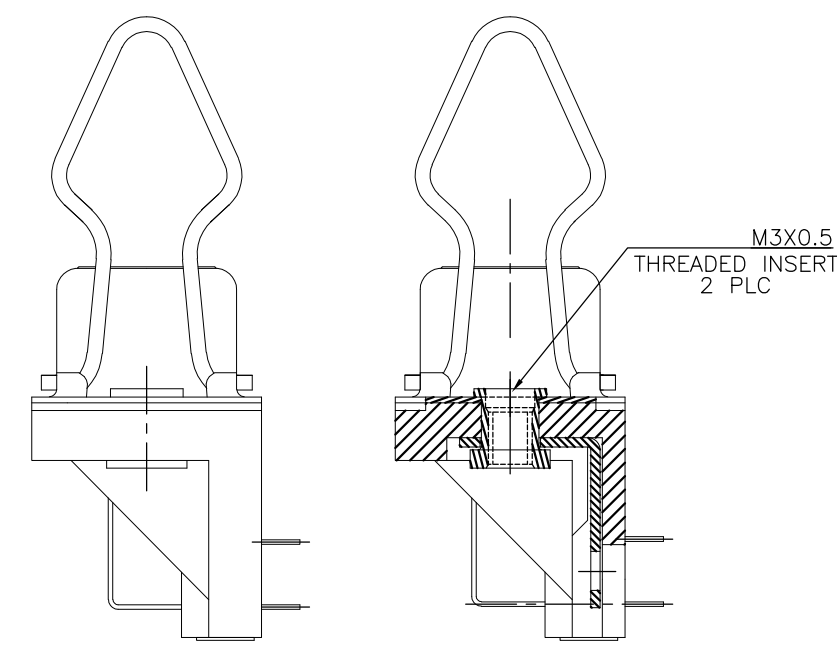
DETAIL A



SECTION E-E



SECTION F-F



SECTION F-F

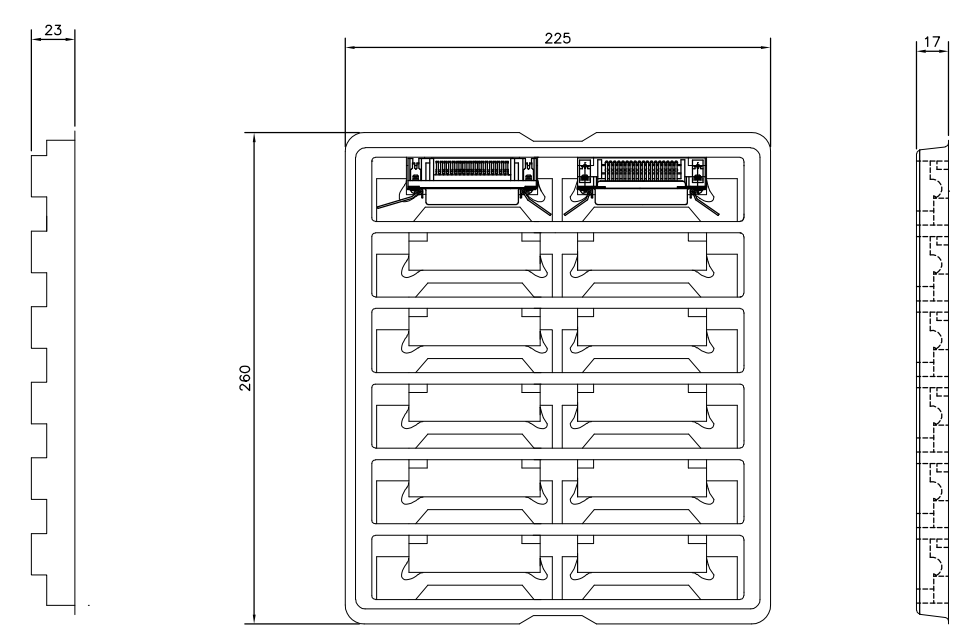
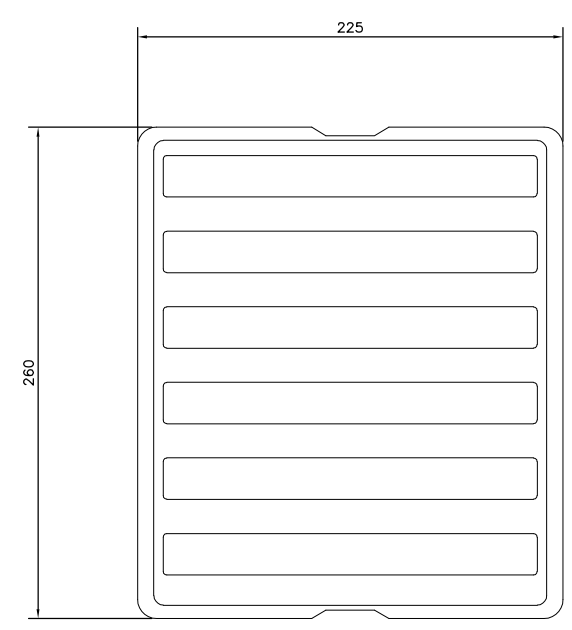
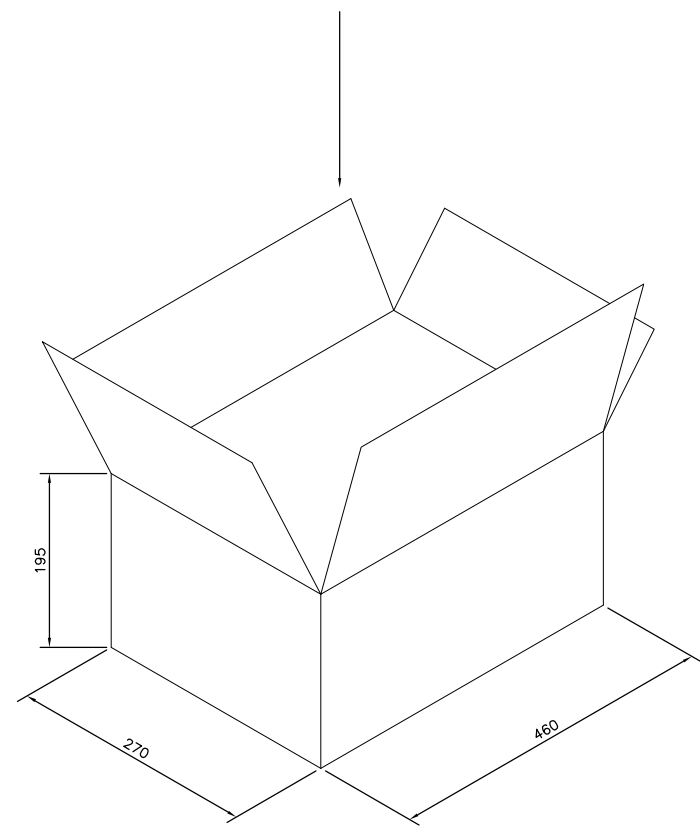
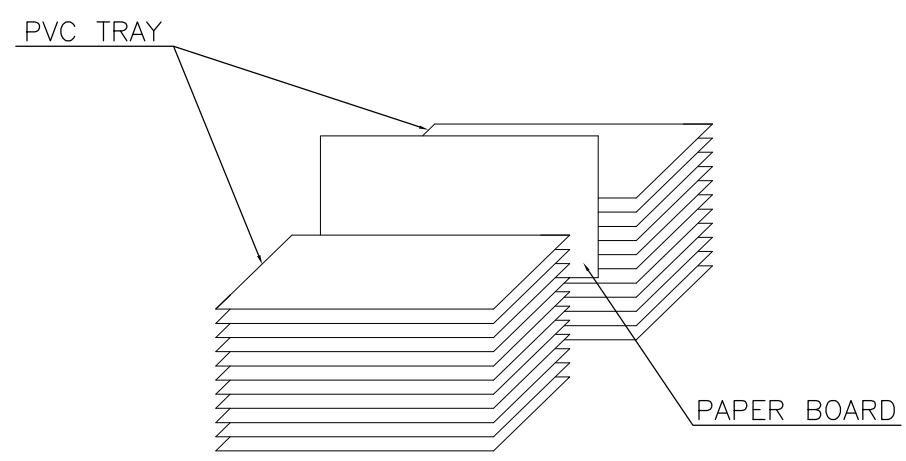
FOR 1734044-3, 1-1734044-3, 3-1734044-3

ONLY FOR 5-1734044-3

THIS DRAWING IS A CONTROLLED DOCUMENT.		DWN	TE Connectivity NAME RECEPTACLE ASSEMBLY, 36P RIGHT ANGLE, CENTRONICS.				
DIMENSIONS: mm		CHK					
		APVD					
TOLERANCES UNLESS OTHERWISE SPECIFIED: 0 PLC ± 0.38 1 PLC ± 0.25 2 PLC ± 0.13 3 PLC ± 0.05 4 PLC ± - ANGLES ± 3°		PRODUCT SPEC					
MATERIAL		FINISH	APPLICATION SPEC	SIZE	CAGE CODE	DRAWING NO	RESTRICTED TO
			WEIGHT	A3	00779	C-1734044	
CUSTOMER DRAWING			SCALE	SHEET	REV		
			-	4 OF 5	C		

THIS DRAWING IS UNPUBLISHED. RELEASED FOR PUBLICATION
 © COPYRIGHT - By - ALL RIGHTS RESERVED.

LOC		DIST		REVISIONS				
P	LTR	DESCRIPTION			DATE	DWN	APVD	
	-	SEE SHEET 1			-	-	-	



8.0	9.0	12	16	192
NET WEIGHT (KGS)	GROSS WEIGHT (KGS)	PCS/ TRAY	TRAYS/ OUTER BOX	QUANTITY

THIS DRAWING IS A CONTROLLED DOCUMENT.

DIMENSIONS: mm	TOLERANCES UNLESS OTHERWISE SPECIFIED: 0 PLC ± - 1 PLC ± - 2 PLC ± - 3 PLC ± - 4 PLC ± - ANGLES ± -	DWN - CHK - APVD - PRODUCT SPEC - APPLICATION SPEC - WEIGHT -	TE Connectivity NAME RECEPTACLE ASSEMBLY, 36P RIGHT ANGLE, CENTRONICS.	
MATERIAL	FINISH	SIZE	CAGE CODE	DRAWING NO
		A3	00779	C-1734044
CUSTOMER DRAWING			RESTRICTED TO	SCALE
			SHEET	REV
			5 OF 5	C

单击下面可查看定价，库存，交付和生命周期等信息

[>>TE Connectivity\(泰科\)](#)