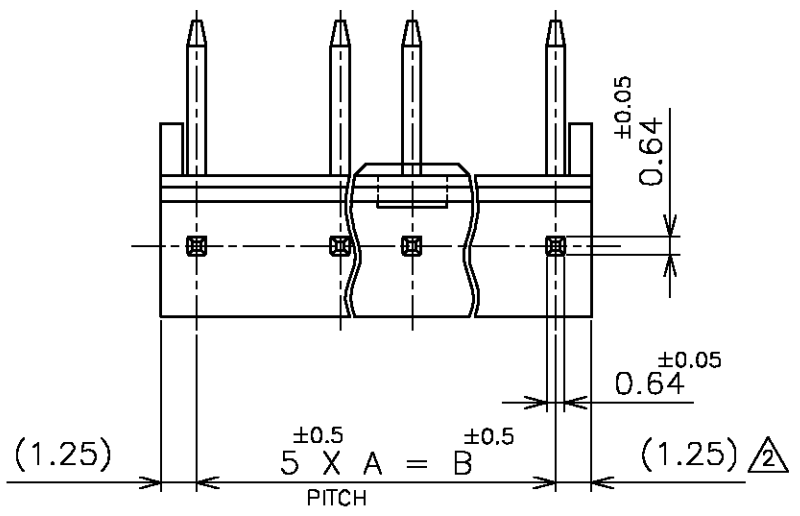


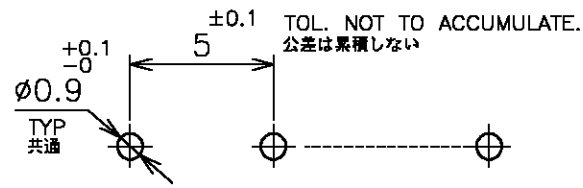
THIS DRAWING IS UNPUBLISHED. RELEASED FOR PUBLICATION MAR, 1979.
 © COPYRIGHT 1979 BY TYCO ELECTRONICS CORPORATION. ALL RIGHTS RESERVED.

LOC	DIST	REVISIONS					
		P	LTR	DESCRIPTION	DATE	DWN	APVD
J	-		E	REVISED FJB0-0393-03	07MAY03	H.T	I.E

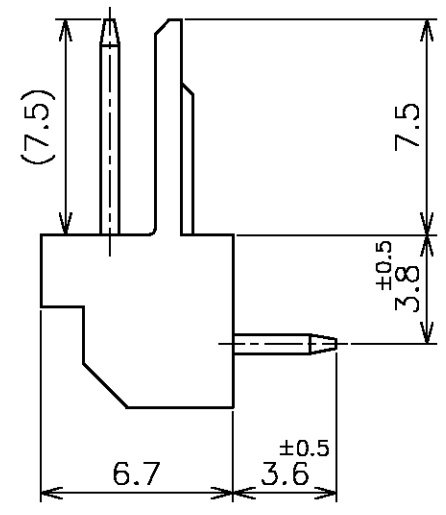
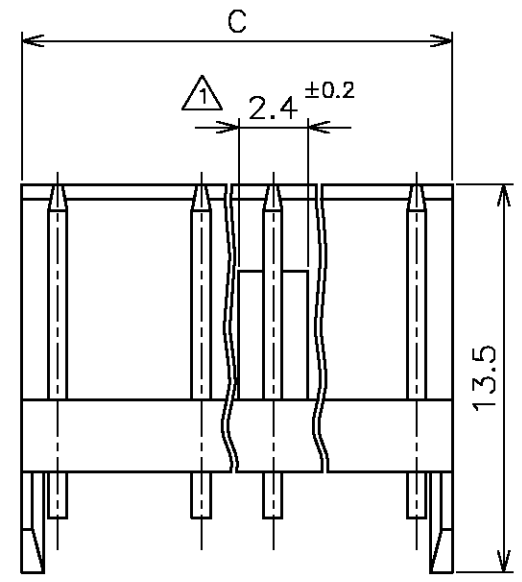


△1 LOCKING HOLE IS PLACED ON THE CENTER OF POST HEADER.
 △2 3.75 REF FOR -6 (6 POS) ONLY.

△1 ロッキング凹部位置は長手方向の中央。
 △2 -6 (6極品) のみ 3.75 参考



RECOMMENDED BOARD LAYOUT (1.6 THK)
 取付基板寸法 (基板厚 1.6t)



30.0	25.0	5	6	4-172107-6	2-172107-6	172107-6
22.5	20.0	4	5	4- ↑ -5	2- ↑ -5	↑ -5
17.5	15.0	3	4	4- -4	2- -4	-4
12.5	10.0	2	3	4- -3	2- -3	-3
7.5	5.0	1	2	4-172107-2	2-172107-2	172107-2
±0.2 C	±0.5 B	A	NO OF POS 極数	BLUE 青色	BLACK 黒色	NATURAL 自然色
				PART NUMBER 型番		

THIS DRAWING IS A CONTROLLED DOCUMENT.		DWN S.TSUKAKOSHI 28MAR79	Tyco Electronics AMP K.K. Kawasaki, Japan	
DIMENSIONS: 単位: 概 MM	TOLERANCES UNLESS OTHERWISE SPECIFIED: 一般公差	CHK N.ONOUE 30MAR79	NAME 名称	
	0 PLC ± 0.3	APVD N.ONOUE 30MAR79	PRODUCT SPEC 製品規格	
	1 PLC ± 0.3		APPLICATION SPEC 取付適用規格	
MATERIAL 材料 HSG : 66NYLON UL94V-0 POST: BRASS	FINISH 仕上 POST: TIN-PLATE	WEIGHT	SIZE A3	CAGE CODE 00779
		CUSTOMER DRAWING	DRAWING NO 番号 172107	RESTRICTED TO —
			SCALE 尺度 4:1	SHEET 1 OF 1
				REV E

单击下面可查看定价，库存，交付和生命周期等信息

[>>TE Connectivity\(泰科\)](#)