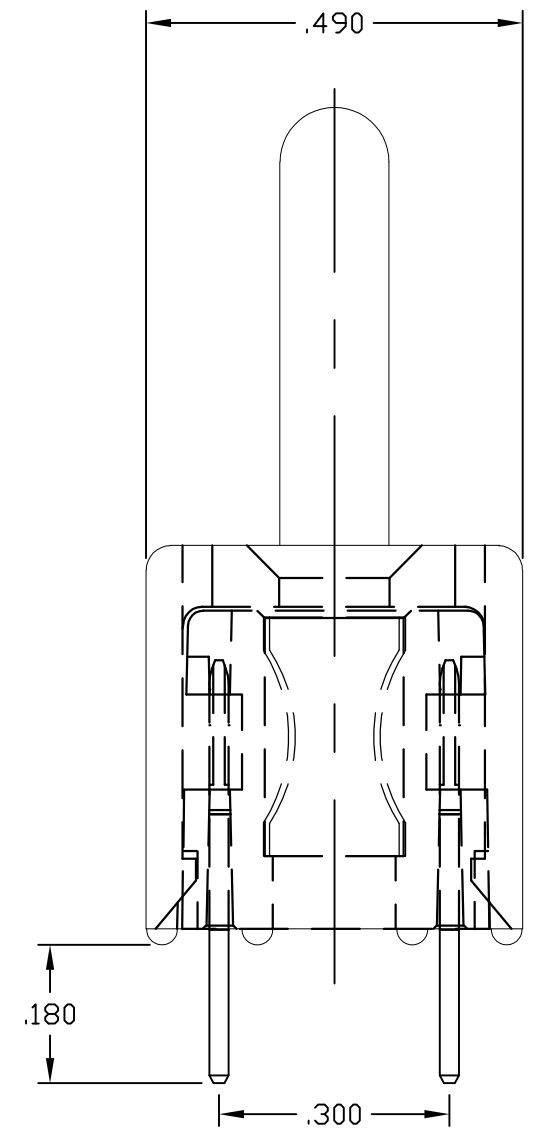
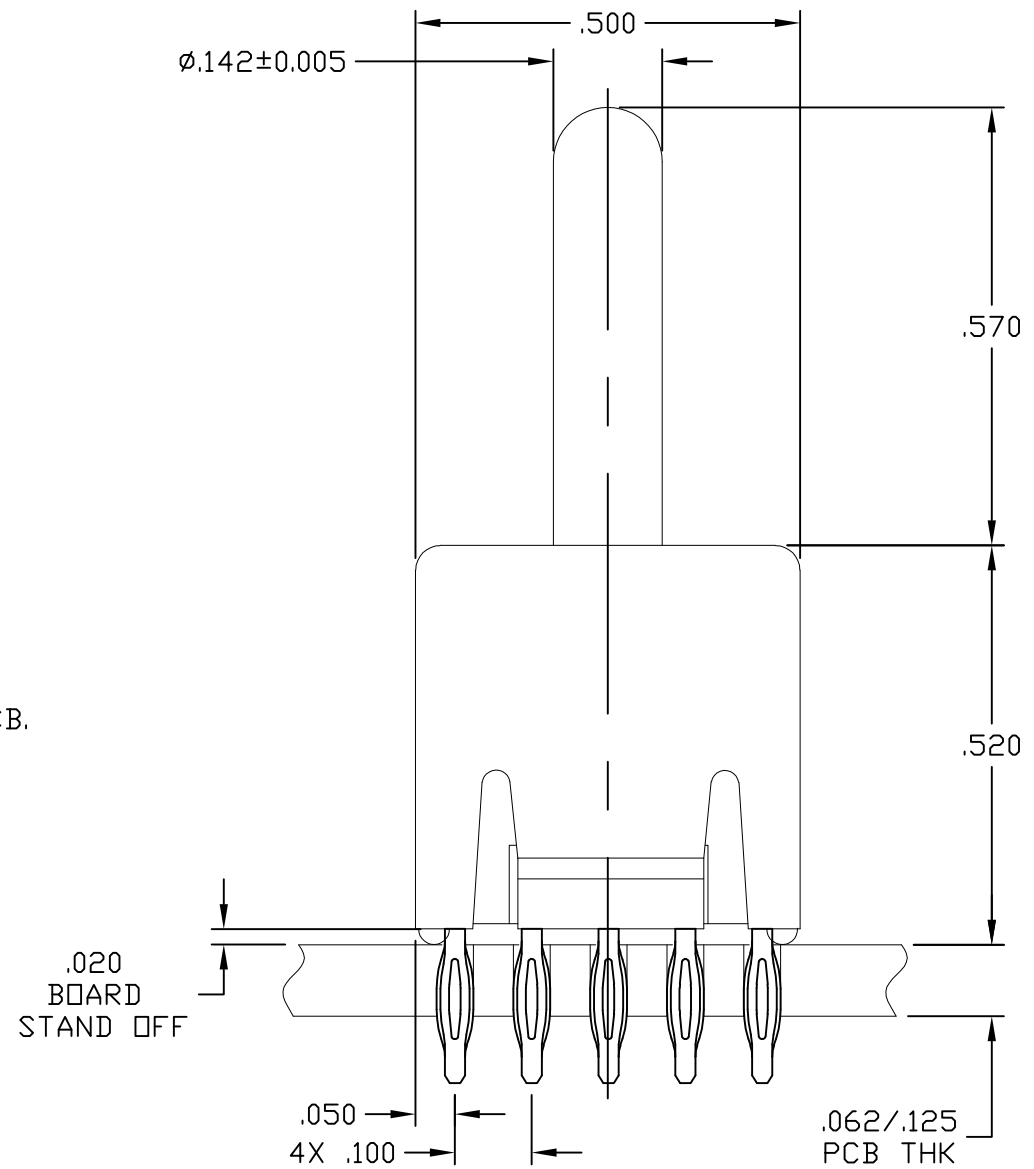
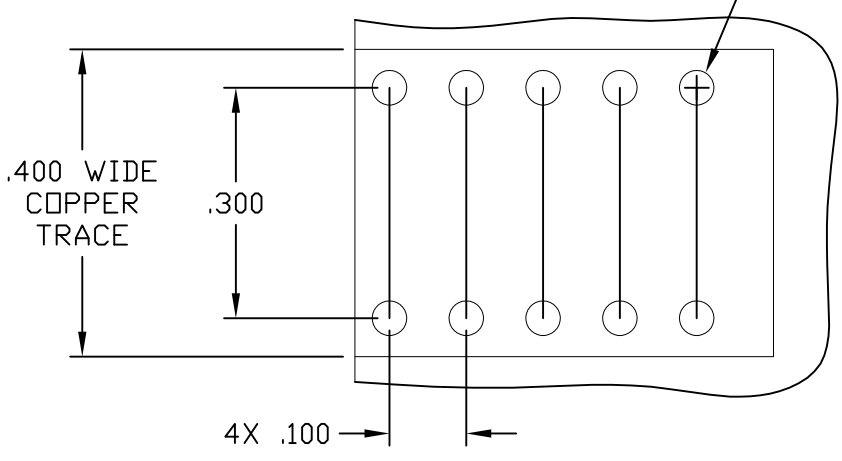


THIS DRAWING IS UNPUBLISHED. RELEASED FOR PUBLICATION
 © COPYRIGHT - By - ALL RIGHTS RESERVED.

LOC	DIST	REVISIONS					
GP	00	P	LTR	DESCRIPTION	DATE	DWN	APVD
		C		REV PER ECO-11-007678	11JUL011	RG	DO

RECOMMENDED PRINTED CIRCUIT HOLE
 COMPLIANT PRESS FIT
 DRILLED HOLE: $\phi.0453 \pm .0005$
 COPPER PLATE: .0010 - .0020 (PER SURFACE)
 TIN PLATE: .00002 MINIMUM (PER SURFACE)
 10X



5. FOR APPLICATIONS UTILIZING AN IMMERSION SILVER PLATED PCB. CONSULT TYCO ENGINEERING.

4. FINISHES:

- CROWN: GOLD PLATED, .000030 MIN THICK
 OVER NICKEL PLATED, .000040 MIN THICK.
- INSERT: SILVER PLATED, .000200 MIN THICK,
 OVER NICKEL PLATED, .000040 MIN THICK.
- COMPLIANT TAIL: SILVER PLATED, .000200 MIN THICK,
 OVER NICKEL PLATED, .000040 MIN THICK.
- CONTACT: SILVER PLATED, .000200 MIN THICK,
 OVER NICKEL PLATED,
 .000040 MIN THICK.

3. MATERIALS:

- HOUSING: THERMOPLASTIC, GLASS REINFORCED, COLOR-BLACK
 UL94V-0 FLAMMABILITY RATED
- CROWN: COPPER ALLOY
- INSERT: ZINC ALLOY, CASTING
- CONTACT: BRASS ALLOY
- COMPLIANT TAIL: PHOSPHOR BRONZE ALLOY

2. ITEMS PROVIDED TO THIS SPECIFICATION SHALL BE IDENTIFIED ON THE CONTAINER WITH THE FOLLOWING INFORMATION: PART NUMBER & DATE CODE OF MANUFACTURE.

1. PART NUMBER CHANGES AND OR DESIGN CHANGES AFFECTING ITEM INTERCHANGEABILITY REQUIRE PRIOR TE APPROVAL AND AUTHORIZATION BY REVISION TO THIS DRAWING.

6643449-1
 PART NUMBER

THIS DRAWING IS A CONTROLLED DOCUMENT.		DWN	12JAN2011	TE Connectivity	
		HA/GRZYBOWSKI	-		
DIMENSIONS: INCHES		CHK	ORRIS	NAME ICCON, PIN, SIZE NO.8, PERPENDICULAR COMPLIANT TAIL, 10 PIN FOOT PRINT NON LOCKING STYLE, .570 PIN EXT	
		APVD	12JAN2011		
TOLERANCES UNLESS OTHERWISE SPECIFIED:		PRODUCT SPEC	HA/GRZYBOWSKI	SIZE A3	
0 PLC ± - 1 PLC ± - 2 PLC ± .02 3 PLC ± .010 4 PLC ± - ANGLES ± .5		APPLICATION SPEC	-		
MATERIAL		WEIGHT	-	CAGE CODE	00779
		CUSTOMER DRAWING		DRAWING NO	C-6643449
		SCALE		4:1	SHEET
				1 OF 1	REV
				C	

单击下面可查看定价，库存，交付和生命周期等信息

[>>TE Connectivity\(泰科\)](#)