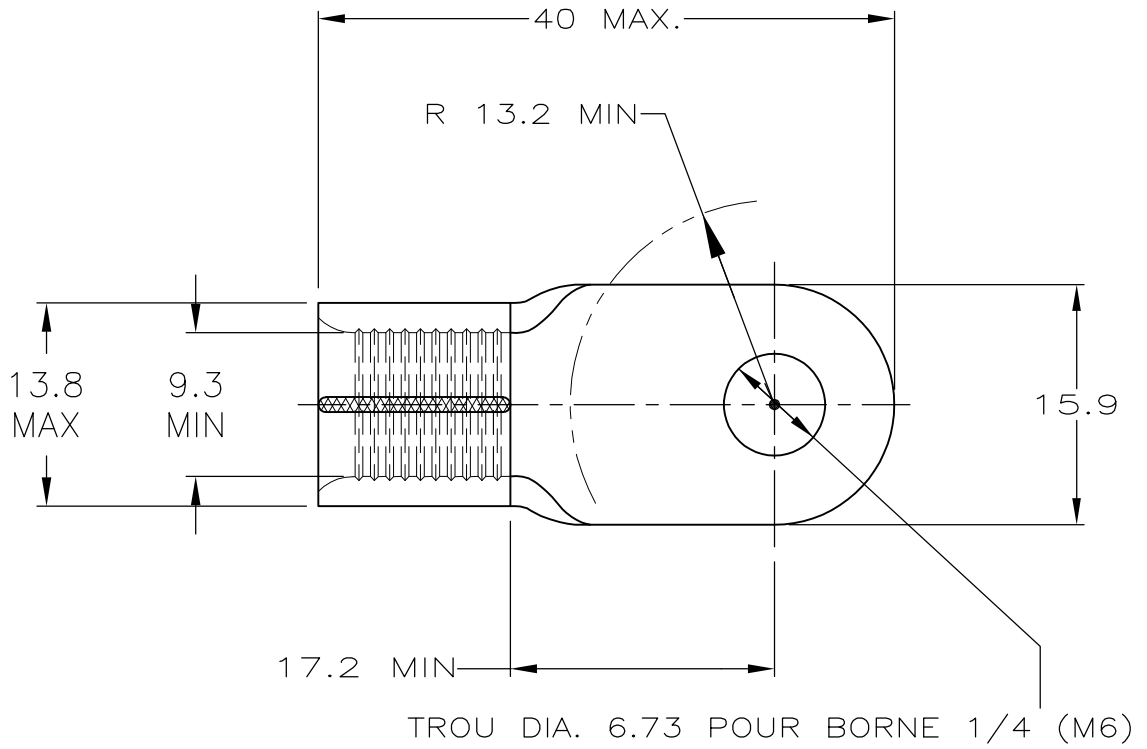


| | | | | | |
|----------|-----------|---------------------------|-----------|-----|------|
| LOC F | DIST — | REVISIONS | | | |
| P | LTR | DESCRIPTION | DATE | DWN | APVD |
| | A1 | REVISED PER ECO-15-006978 | 06JUN2015 | NK | MM |



EPAISSEUR DE PLAGE : 1.8

1 MATERIAL THICKNESS 1.78±0.08

REFERENCE : 134462-1

RELEASED FOR PUBLICATION

ALL RIGHTS RESERVED.

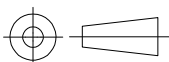
THIS DRAWING IS UNPUBLISHED.

By -

© COPYRIGHT

DIMENS. FIL
2 AWG

| | | | | |
|--|-----------------------|----------|------------------------|--------------------|
| DIMENSIONS: mm | DWN G. ROBERT | 25/01/90 | MATERIAL CUIVRE | FINISH NICKEL |
| | CHK — | — | | |
| TOLERANCES UNLESS OTHERWISE SPECIFIED: | APVD — | — | | |
| 0 PLC ± - | PRODUCT SPEC — | — | SIZE A4 | CAGE CODE 00779 |
| 1 PLC ± 0.3 | APPLICATION SPEC — | — | DRAWING NO C-134462 | RESTRICTED TO — |
| 2 PLC ± - | WEIGHT — | — | SCALE 2:1 | |
| 3 PLC ± - | | | SHEET 1 OF 1 | |
| 4 PLC ± - | | | REV A1 | |
| ANGLES ± 5' | | | CUSTOMER DRAWING | |



单击下面可查看定价，库存，交付和生命周期等信息

[>>TE Connectivity\(泰科\)](#)