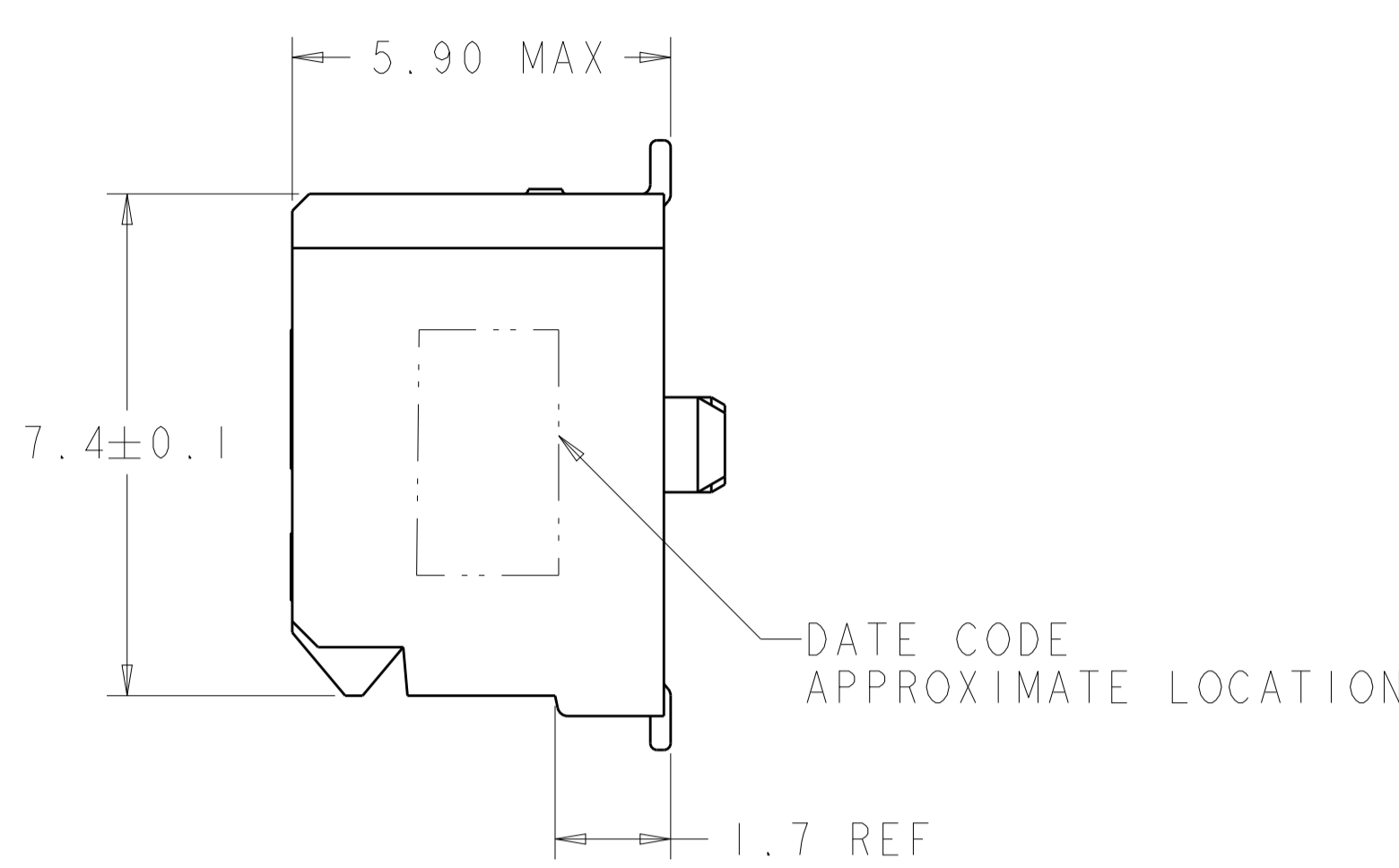
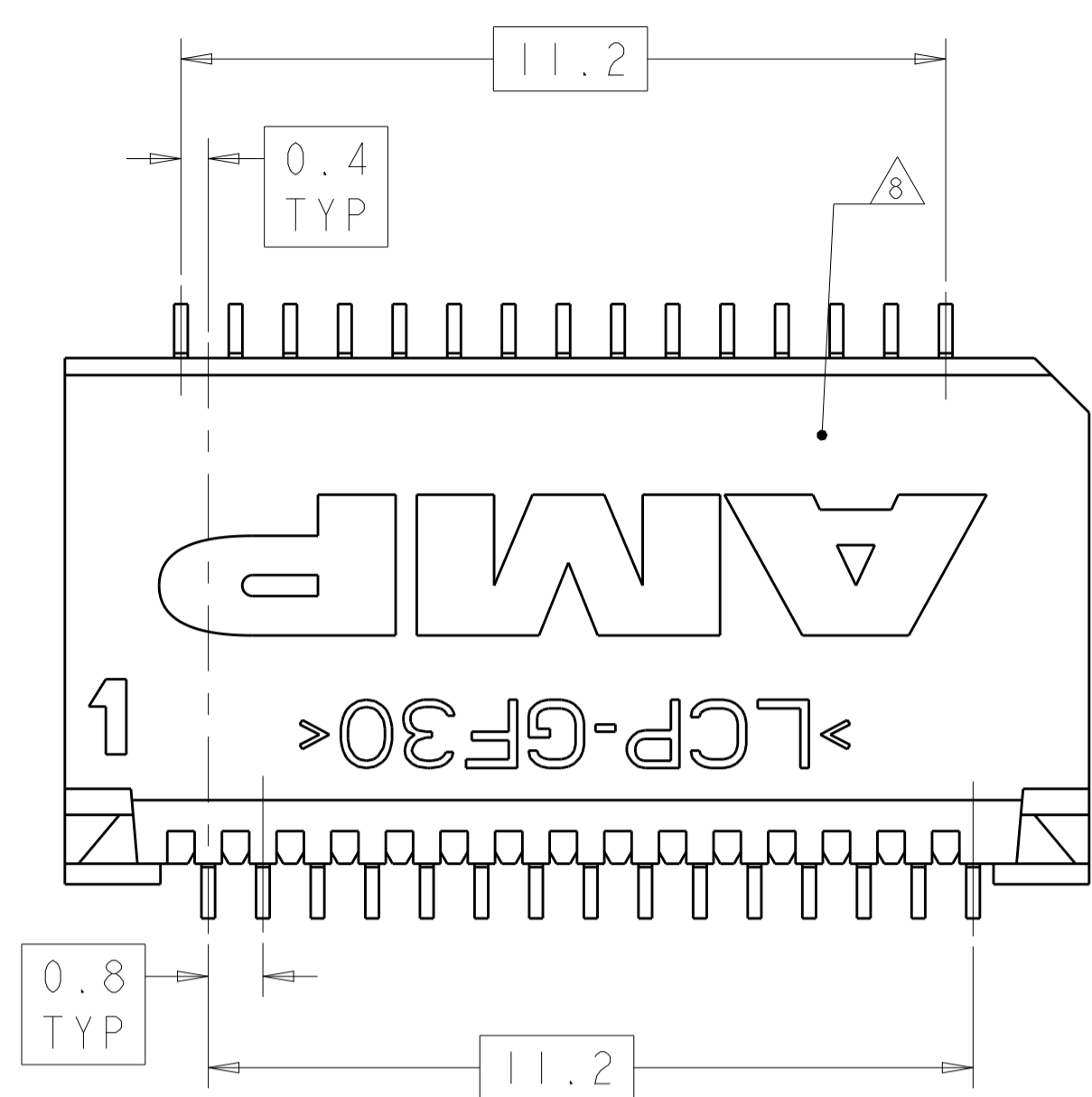
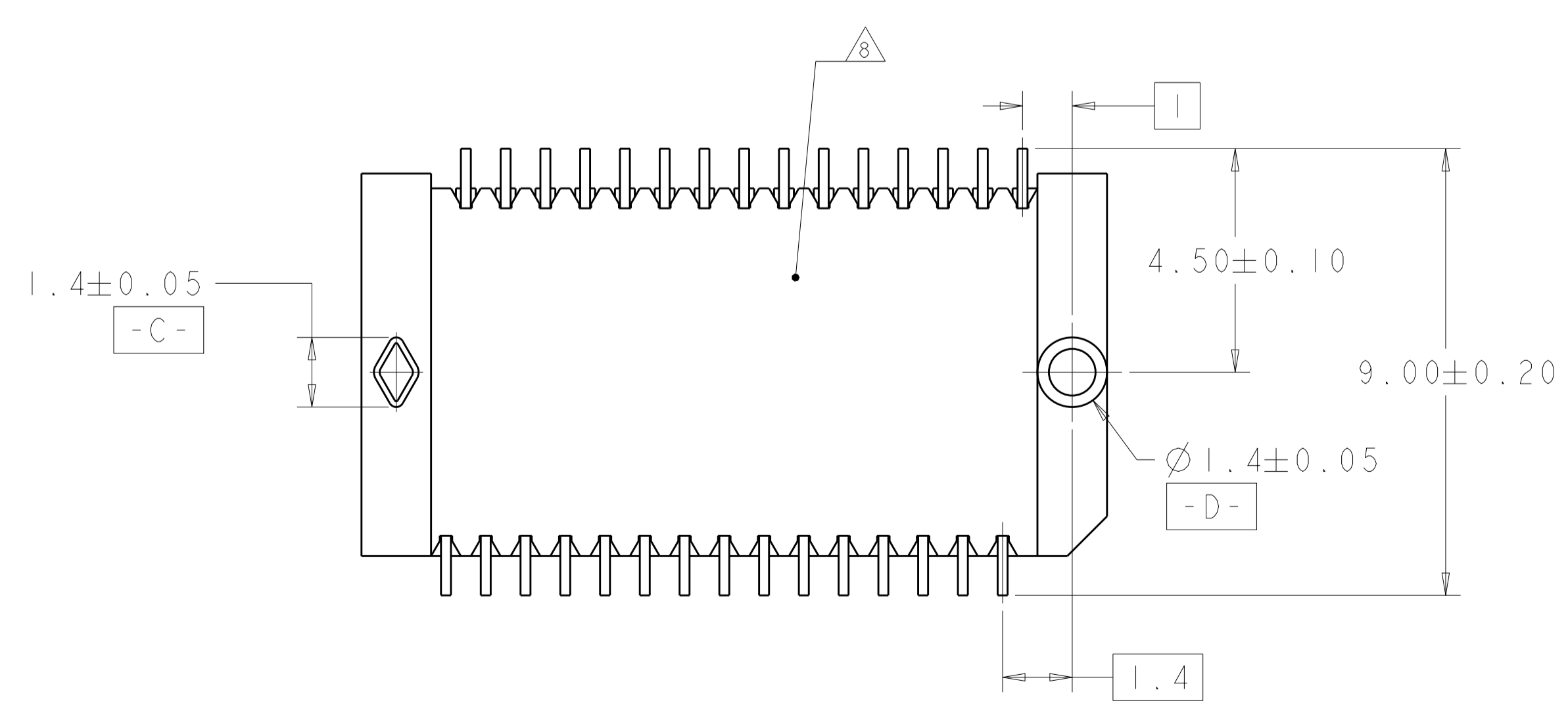
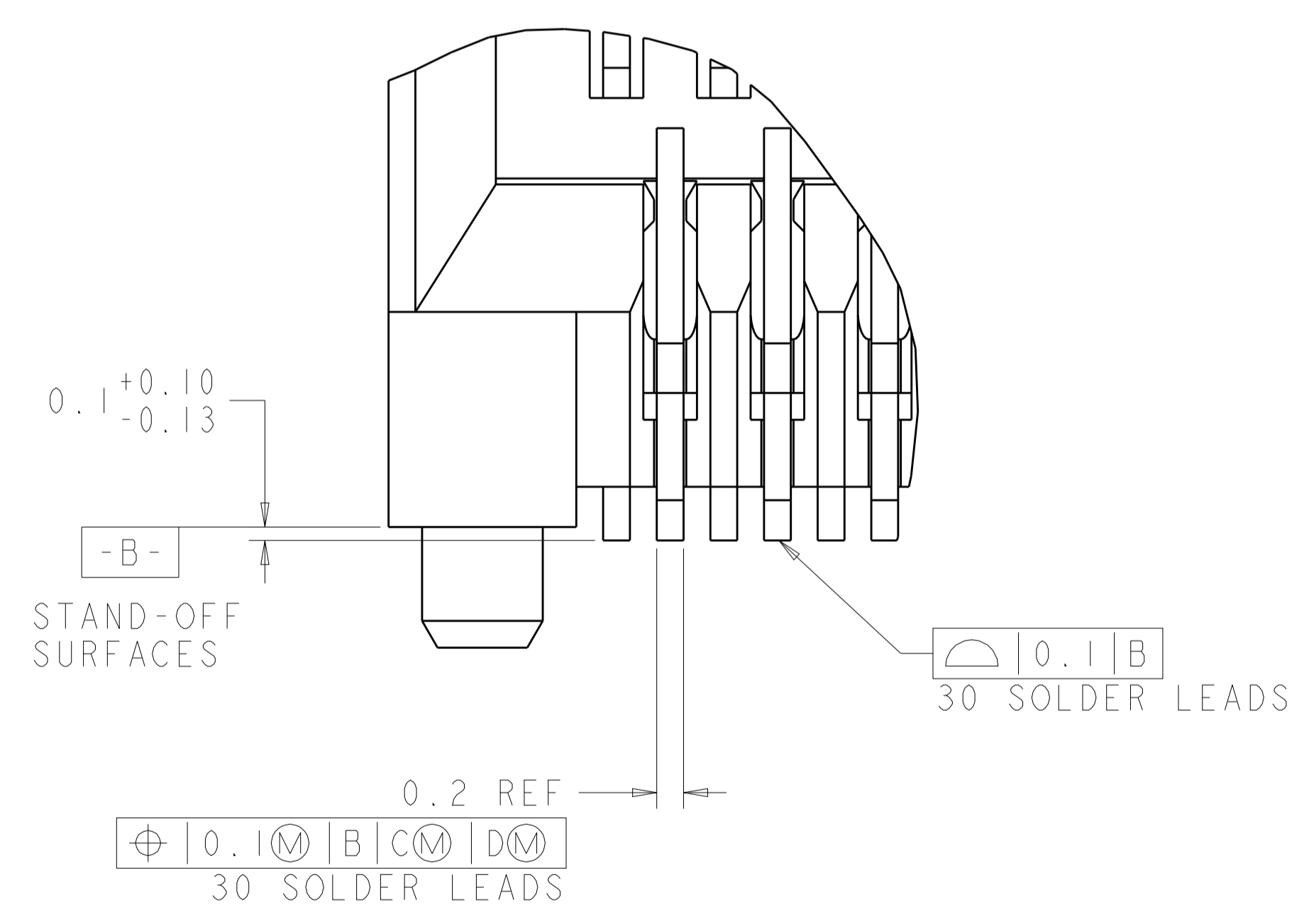
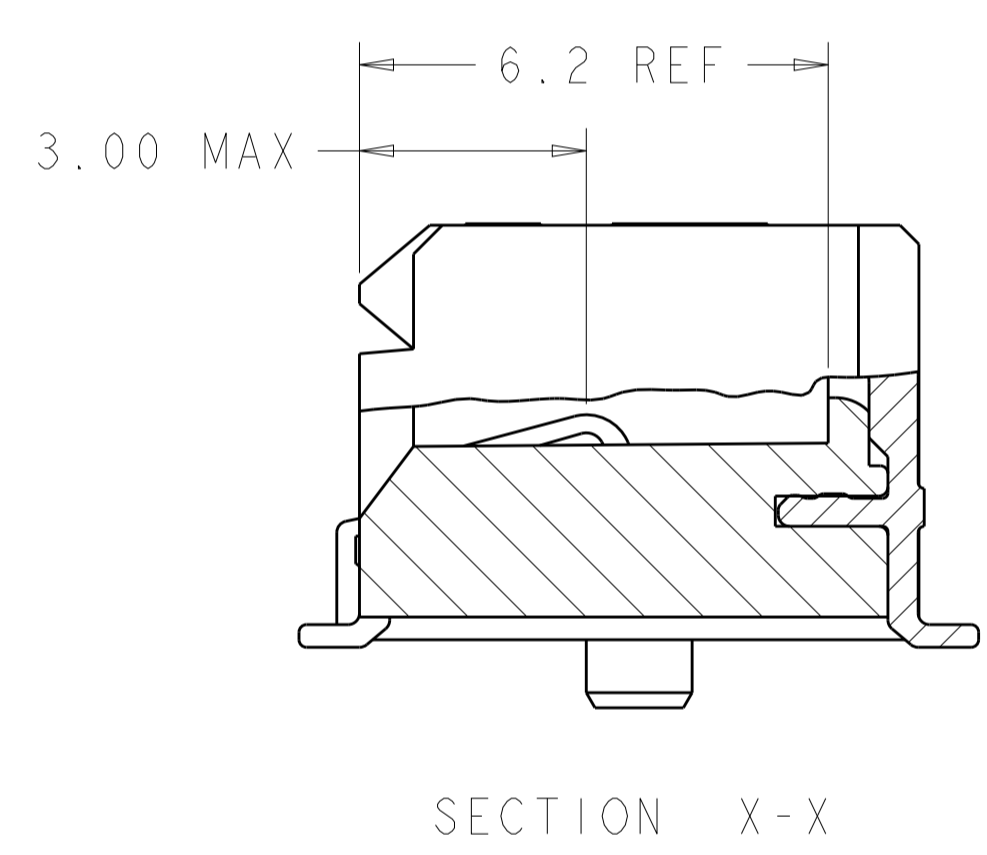
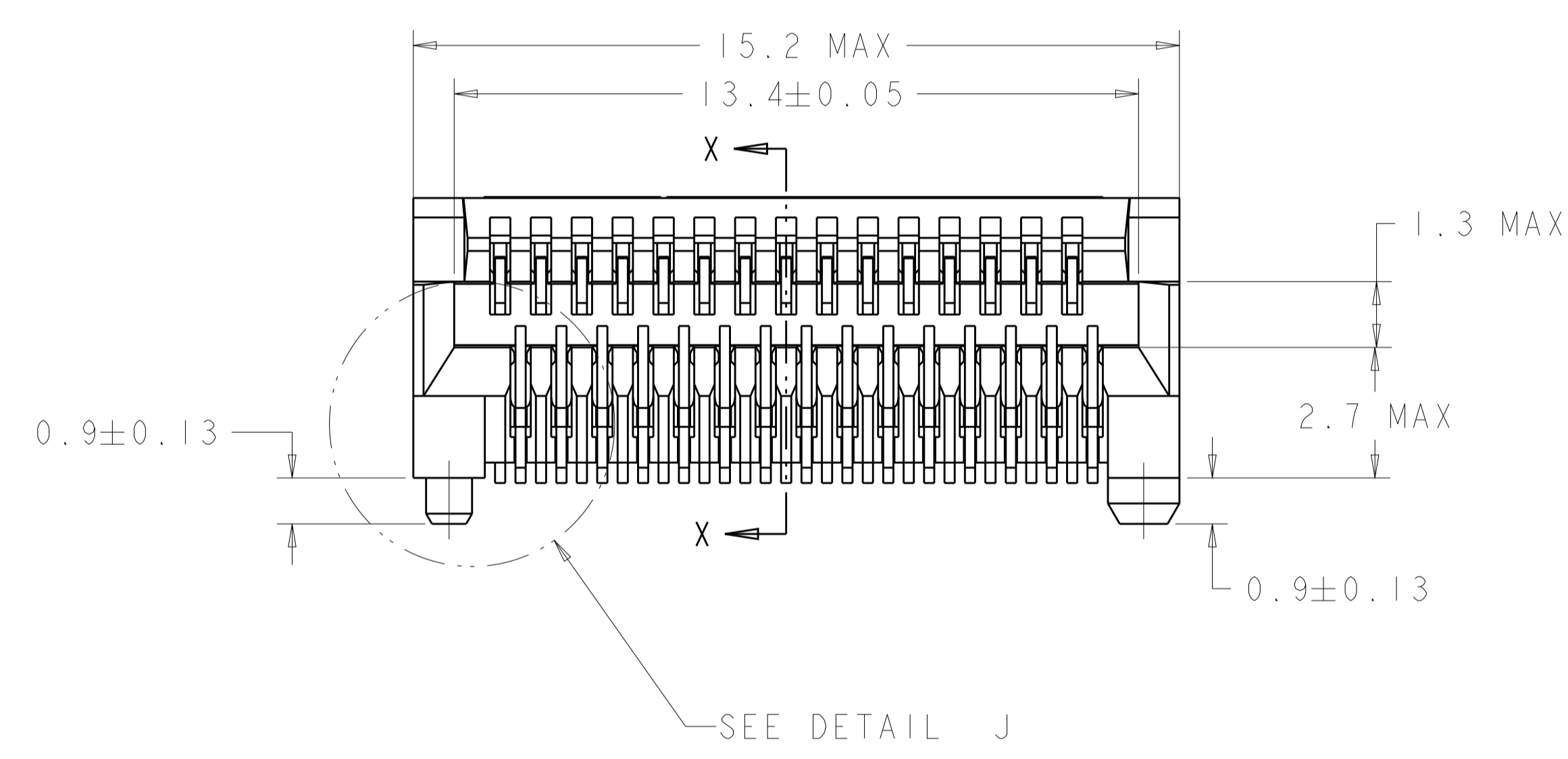


LOC	DIST	REV	DESCRIPTION	DATE	DMN	APVD
ES	00					
		K	REVISED PER ECO-12-013119	16JUL2012	AZ	AC
		K1	REVISED PER ECO-16-011108	26JUL2016	PP	SH
		L	REVISED PER ECO-17-017667	05DEC2017	IT	SH



- PART COMPATABLE WITH XFP MSA. REFER TO THE XFP MSA FOR DIMENSIONS NOT SHOWN ON THIS PRINT.
- HOUSING MATERIAL: HIGH TEMPERATURE LCP, UL 94V-0 COLOR WHITE
CONTACT MATERIAL: PHOSPHOR BRONZE
- CONTACTS: 0.00076 MIN GOLD IN CONTACT AREA, 0.00013 MIN GOLD ON SOLDER AREA, OVER 0.00127 MIN NICKEL UNDERPLATE ON ENTIRE CONTACT. LUBRICANT ON GOLD PLATE CONTACT AREAS.
- PACKAGED 480 PIECES PER REEL
- GROUND, POWER, AND SIGNAL PAD ARRANGEMENT TO BE DETERMINED BY CUSTOMER
- DATUMS AND BASIC DIMENSIONS TO BE ESTABLISHED BY CUSTOMER
- SOLDER MASK KEEP OUT AREA.
- PULL GROOVES PERMITTED ON THESE SURFACES AT MOLDING ENGINEERING DISCRETION
- THE WIDTH OF TAPE REEL IS 24.00MM.
- THE WIDTH OF TAPE REEL IS 32.00MM

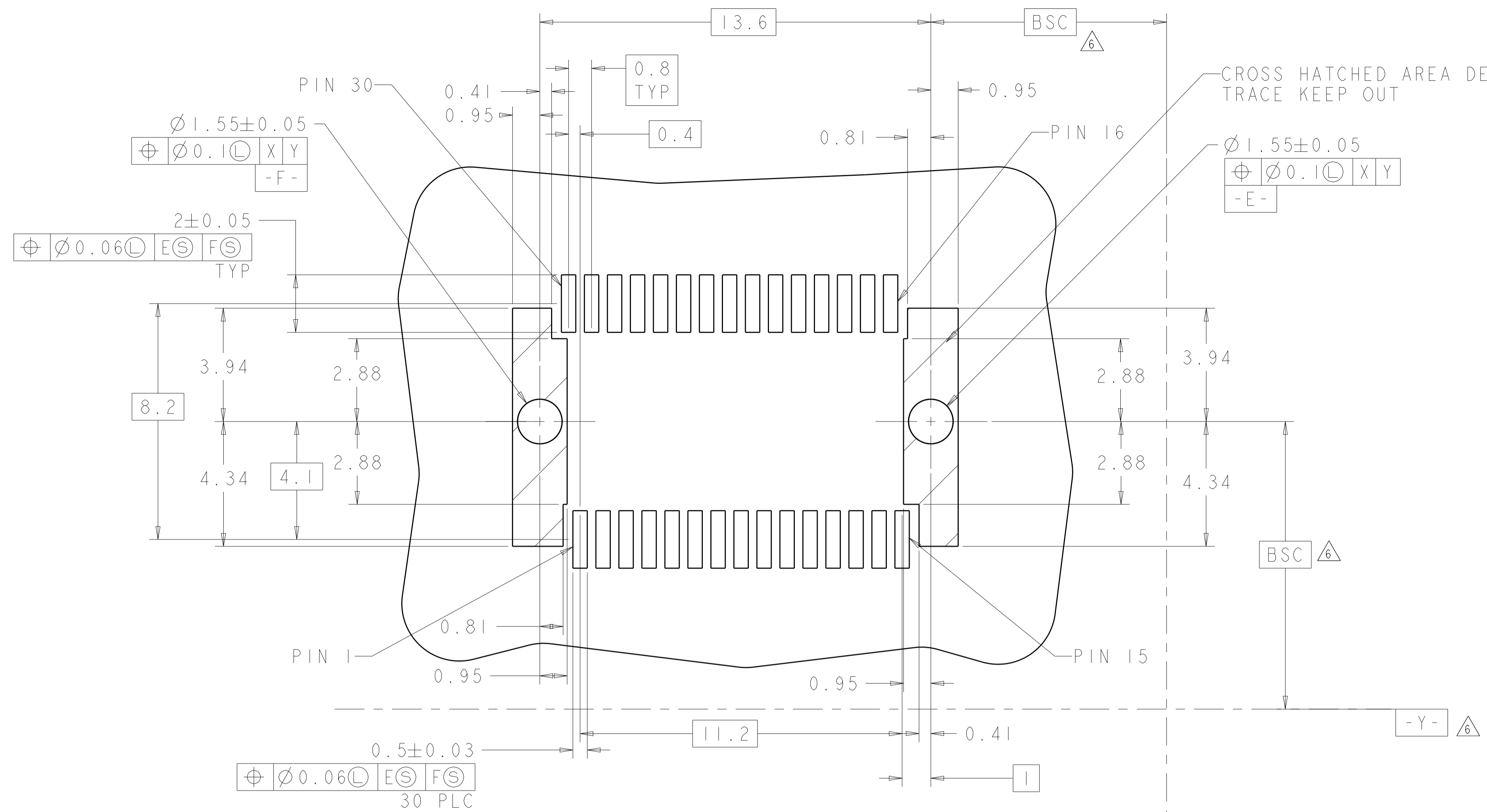


DETAIL J
SCALE 25:1

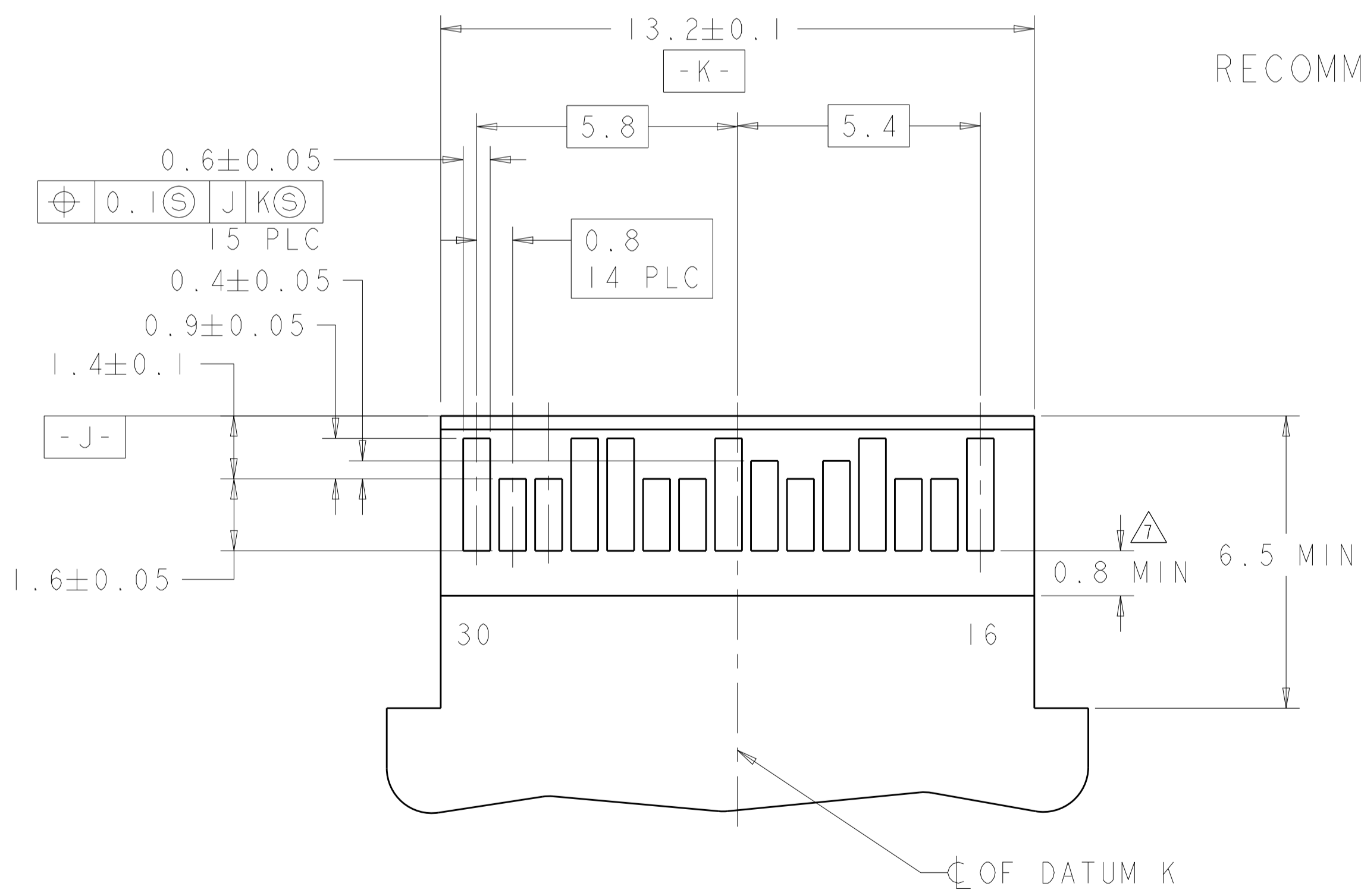
8	YES	1367500-3
9	YES	1367500-2
9	NO	1367500-1
	DATE CODE	PART NUMBER

DIMENSIONS: mm 0 PLC ± 1 PLC ±0.10 2 PLC ± 3 PLC ± 4 PLC ± ANGLES ± FINISH		TOLERANCES UNLESS OTHERWISE SPECIFIED: 0 PLC ± 1 PLC ±0.10 2 PLC ± 3 PLC ± 4 PLC ± ANGLES ± FINISH		DMN P. KERLIN 17JAN03 CHK J. KOPPENHEFFER 06OCT03 APVD M. WALMSLEY 06OCT03	Tyco Electronics Corporation Shanghai, P.R. China, 200233
MATERIAL:		WEIGHT:		NAME: PT CONNECTOR ASSEMBLY, ENHANCED PERFORMANCE, 30 POSITION XFP, RTANG, 0.8MM PITCH	
FINISH:		CUSTOMER DRAWING		SIZE: 108-1949 APPLICATION SPEC: 114-13017 CAGE CODE: 1367500 DRAWING NO: 100779	
SCALE: 10:1		SHEET: 1 OF 3		REV: L	

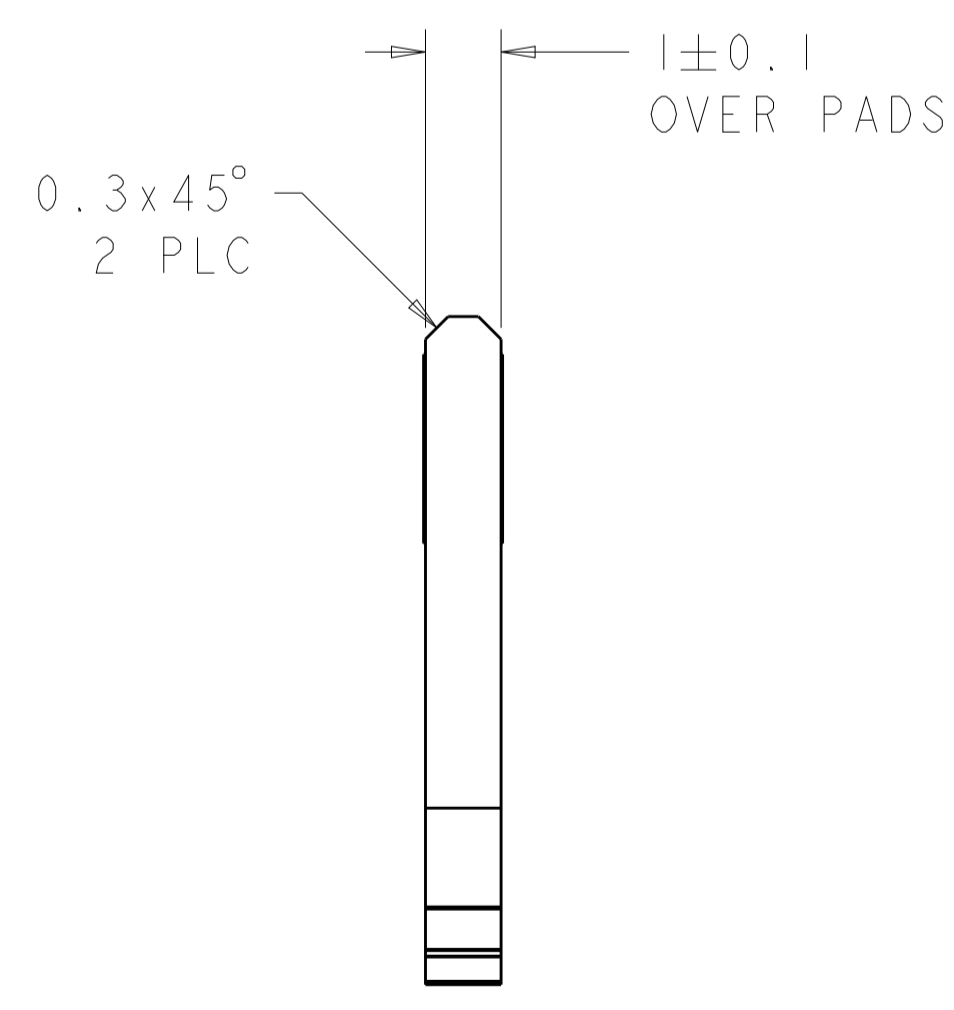
LOC	DIST	REV	DATE	BY	APPV
ES	00				



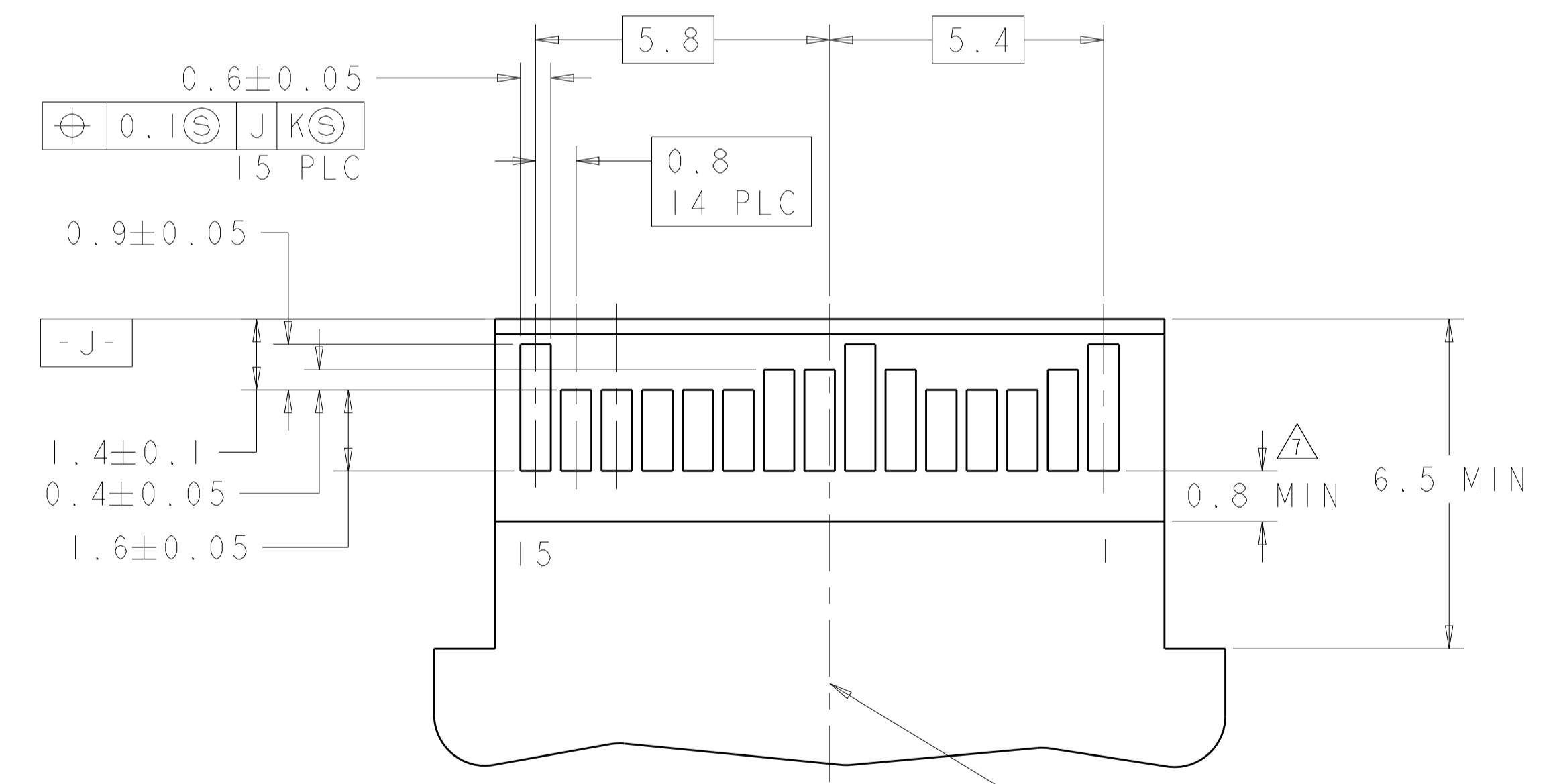
RECOMMENDED PCB CONFIGURATION



TOP VIEW



RECOMMENDED MATING PCB CONFIGURATION

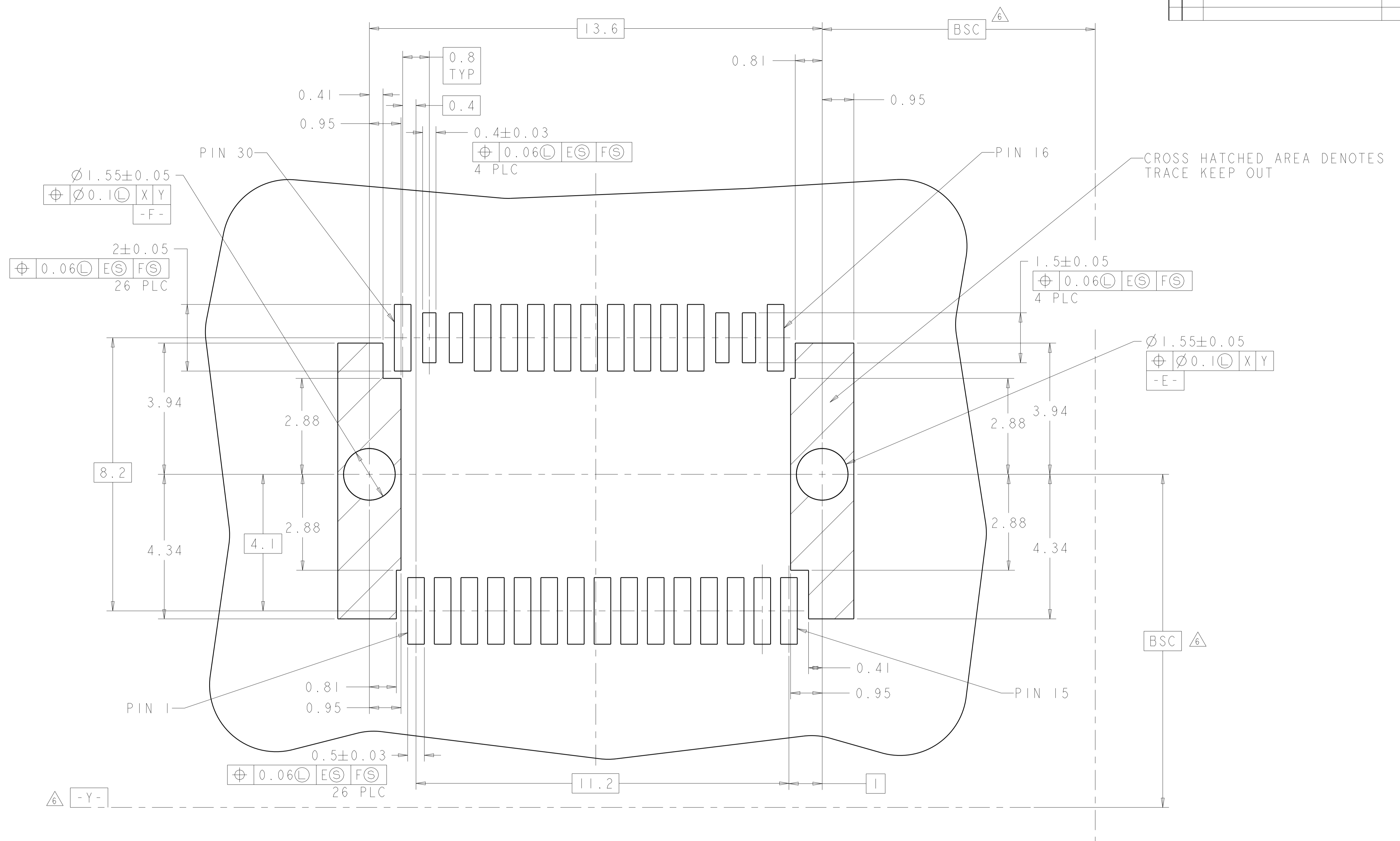


BOTTOM VIEW

DIMENSIONS: mm 0 PLC ± 1 PLC ±0.10 2 PLC ± 3 PLC ± 4 PLC ± ANGLES ±		TOLERANCES UNLESS OTHERWISE SPECIFIED: FINISH ±		DWN P. KERLIN 17JAN03 CHK J. KOPPENHEFFER 06OCT03 APVD M. WALMSLEY 06OCT03	Tyco Electronics Corporation Shanghai, P.R. China, 200233
MATERIAL: - FINISH: -		WEIGHT: - CUSTOMER DRAWING		NAME: PT CONNECTOR ASSEMBLY, ENHANCED PERFORMANCE, 30 POSITION XFP, RTANG, 0.8MM PITCH SIZE: A1100779 CAGE CODE: 1367500 SCALE: 10:1 SHEET: 2 OF 3 REV: L	

LOC	DIST	REV	DATE	BY	APPV
ES	00				

REVISIONS			
NO.	DESCRIPTION	DATE	BY
-	SEE SHEET 1	-	-



OPTIONAL LAYOUT FOR IMPROVED
 SIGNAL INTEGRITY, MOUNTING SIDE
 SCALE 16:1

<small>THIS DRAWING IS UNPUBLISHED. IT IS THE PROPERTY OF TYCO ELECTRONICS CORPORATION. IT IS SUBJECT TO CHANGE AND WITHOUT WARRANTY OF ANY KIND. REVISIONS AND/OR CORRECTIONS SHALL BE CONTACTED FOR THE LATEST VERSION.</small>		DWN: P. KERLIN 17JAN03 CHK: J. KOPPENHEFFER 06OCT03 APV: M. WALMSLEY 06OCT03	Tyco Electronics Corporation Shanghai, P.R. China, 200233
DIMENSIONS: mm 	TOLERANCES UNLESS OTHERWISE SPECIFIED: 0 PLC ± 1 PLC ±0.10 2 PLC ± 3 PLC ± 4 PLC ± ANGLES ± FINISH	NAME: PT CONNECTOR ASSEMBLY, ENHANCED PERFORMANCE, 30 POSITION XFP, RTANG, 0.8MM PITCH PRODUCT SPEC: 108-1949 APPLICATION SPEC: 114-13017 WEIGHT: - CUSTOMER DRAWING	SIZE: A CAGE CODE: 1367500 SCALE: 10:1 SHEET: 3 OF 3 REV: L

单击下面可查看定价，库存，交付和生命周期等信息

[>>TE Connectivity\(泰科\)](#)