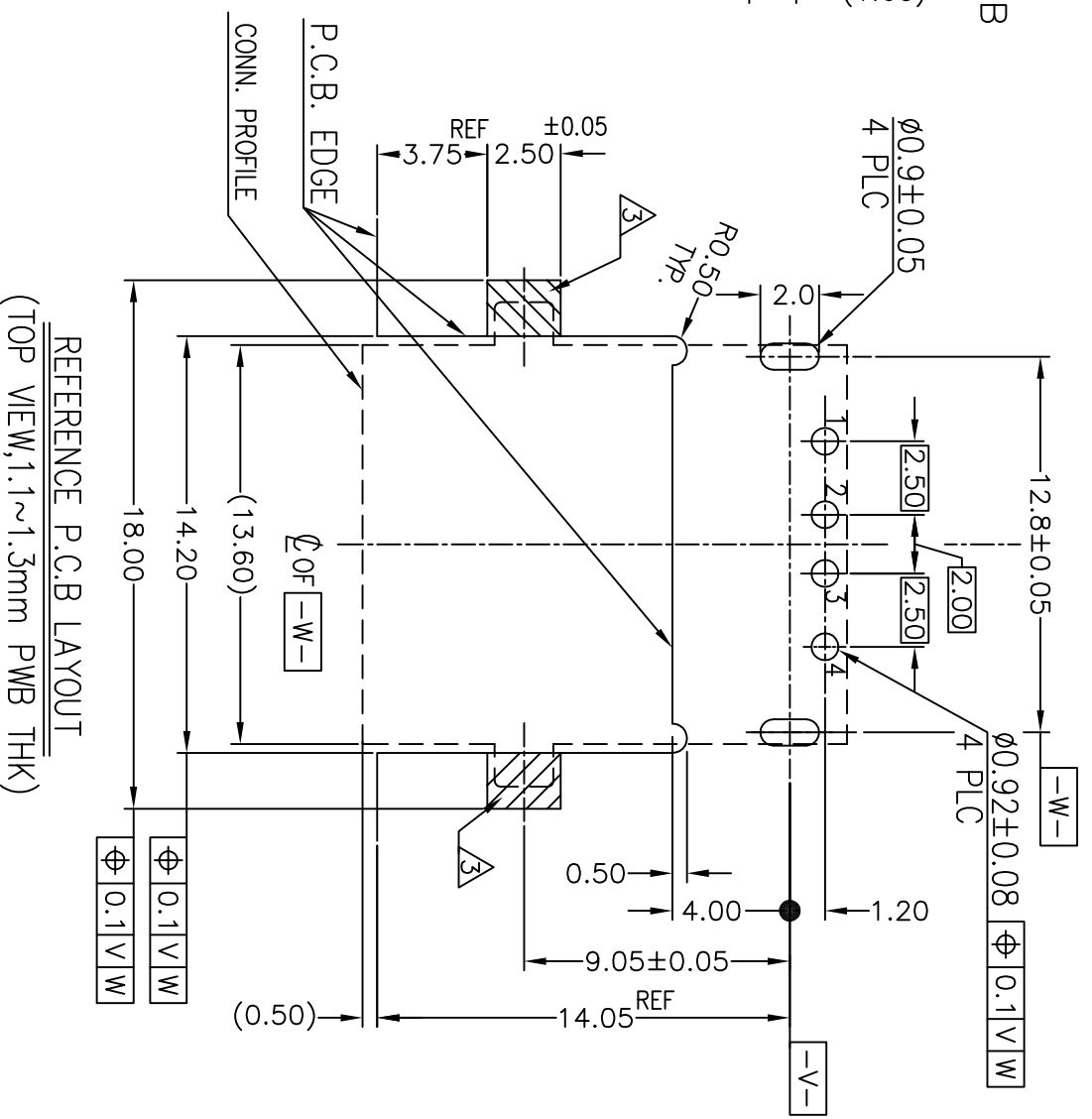
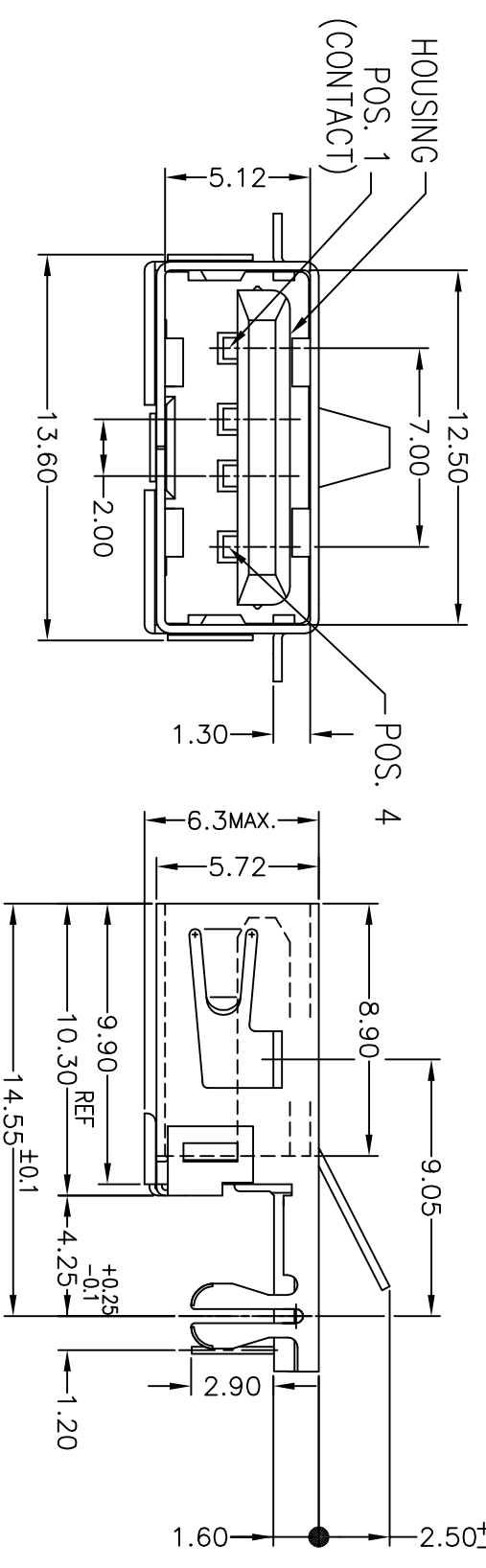
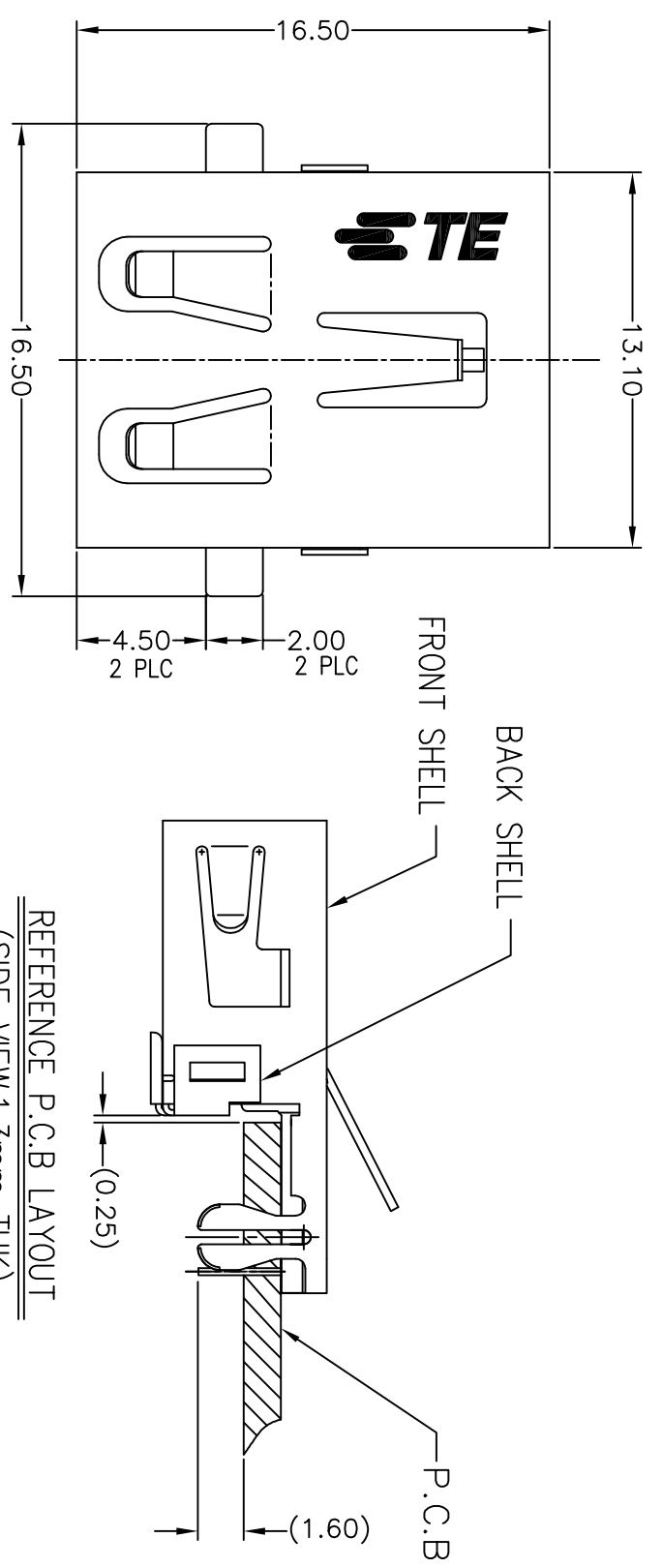


THIS DRAWING IS UNPUBLISHED. RELEASED FOR PUBLICATION. ALL RIGHTS RESERVED. BY TYCO ELECTRONICS CORPORATION. © COPYRIGHT 2003

REVISIONS		DATE	DWN	APVD
P	LTR			
G1	REVISED(ECR-12-007377)	20APR12	T.Z	S.Y



- 1 MATERIAL
 HOUSING: THERMO-PLASTICS,UL94V-0
 CONTACT: COPPER ALLOY
 FRONT SHELL: COPPER ALLOY
 BACK SHELL: COPPER ALLOY
- 2 FINISH
 CONTACT: NICKEL UNDER PLATE ALL OVER.
 CONTACT AREA: GOLD PLATING
 TINE AREA: Tin PLATING
 FRONT SHELL: Tin PLATING,Ni UNDER PLATING
 BACK SHELL: Ni PLATING
- 3 NO COMPONENT AREA.

THIS DRAWING IS A CONTROLLED DOCUMENT.

DIMENSIONS:		TOLERANCES UNLESS OTHERWISE SPECIFIED:	
mm			
0 PLC	±		
1 PLC	±		
2 PLC	±		
3 PLC	±		
4 PLC	±		
ANGLES	±		
FINISH	±		
			±.3

DWN S. CHIEN 15MAR04
 CHK T. FUJITSUGI 15MAR04

APVD H. KODAMA 15MAR04
 PRODUCT SPEC 108-5983
 APPLICATION SPEC

STC TE Connectivity
 USB CONNECTOR RECEPTACLE
 DIP AND OFFSET TYPE

CERAMICS WHITE	1746311-2
BLACK	1746311-1
COLOR	PARTS No.

CUSTOMER DRAWING				SIZE	A3	CAGE CODE	00779	DRAWING NO	1746311	SCALE	4:1	SHEET	1 OF 2	REV	G1
------------------	--	--	--	------	----	-----------	-------	------------	---------	-------	-----	-------	--------	-----	----

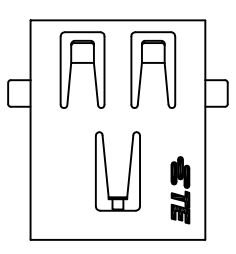
THIS DRAWING IS UNPUBLISHED.
© COPYRIGHT 2003 BY TCO ELECTRONICS CORPORATION. ALL RIGHTS RESERVED.

RELEASED FOR PUBLICATION

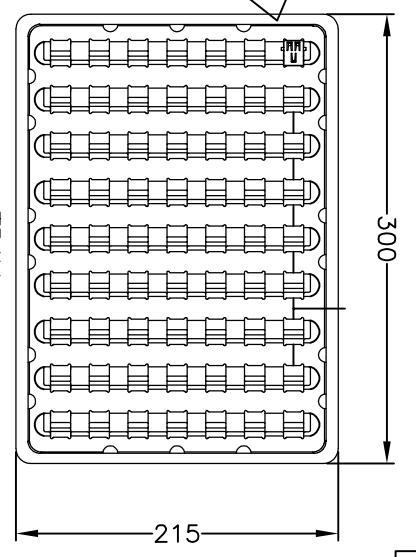
Loc FB DIST

REVISIONS

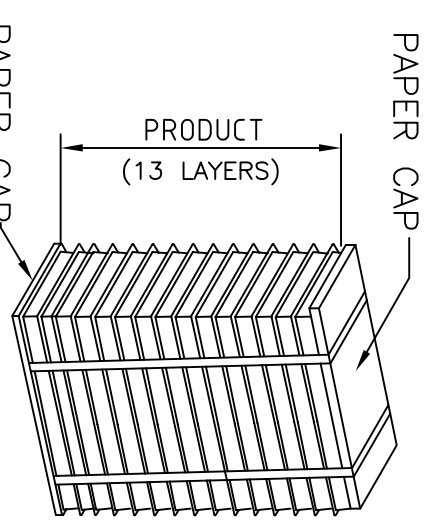
P	LTR	DESCRIPTION	DATE	DWN	APVD
		SEE SHEET 1			



USB CONNECTOR

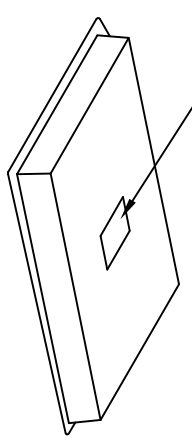


TRAY

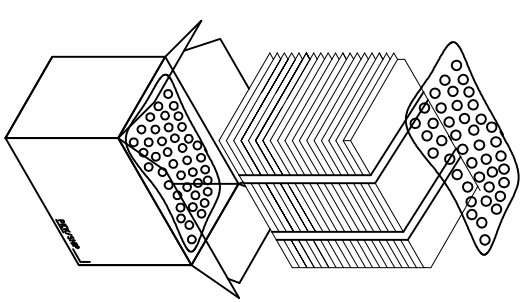


PAPER CAP

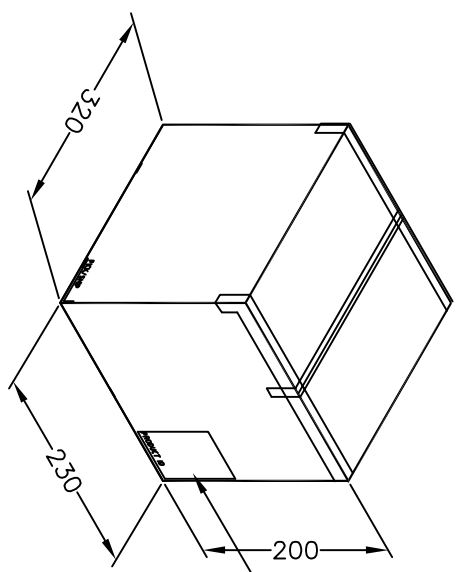
INNER LABEL



TRAY WITH TOP COVER



USB CONNECTOR PACKING METHOD



OUTER LABEL

- NOTES :
1. MATERIAL:
TRAY : PS , T=0.8~1.0
SHIPPING CARTON : CORRUGATED FIBERBOARD
 2. DIMENSION
TRAY : L=300, W=215, H=10
SHIPPING CARTON : L=320, W=230, H=200
 3. QUANTITY:
63 PCS/TRAY
819 PCS/SHIPPING CARTON
 4. WEIGHT:
NET WEIGHT:1.24KG
GROSS WEIGHT:2.53KG

THIS DRAWING IS A CONTROLLED DOCUMENT.

DIMENSIONS: mm

TOLERANCES UNLESS OTHERWISE SPECIFIED:	FINISH
0 PLC	4. PLC ANGLES
1 PLC	
2 PLC	
3 PLC	
4. PLC	

APVD	PRODUCT SPEC	APPLICATION SPEC	WEIGHT

DWN	CHK	CUSTOMER DRAWING



TE Connectivity

USB CONNECTOR RECEPTACLE
DIP AND OFFSET TYPE

NAME	SIZE	CAGE CODE	DRAWING NO	RESTRICTED TO
A3	00779	G=1746311		

SCALE	SHEET	REV
	2 OF 2	G1

单击下面可查看定价，库存，交付和生命周期等信息

[>>TE Connectivity\(泰科\)](#)