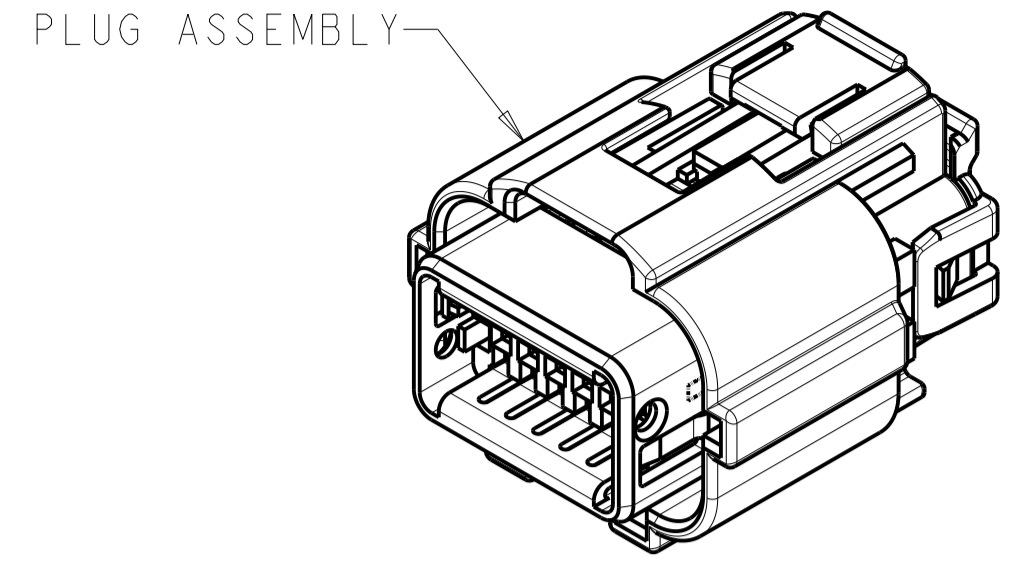
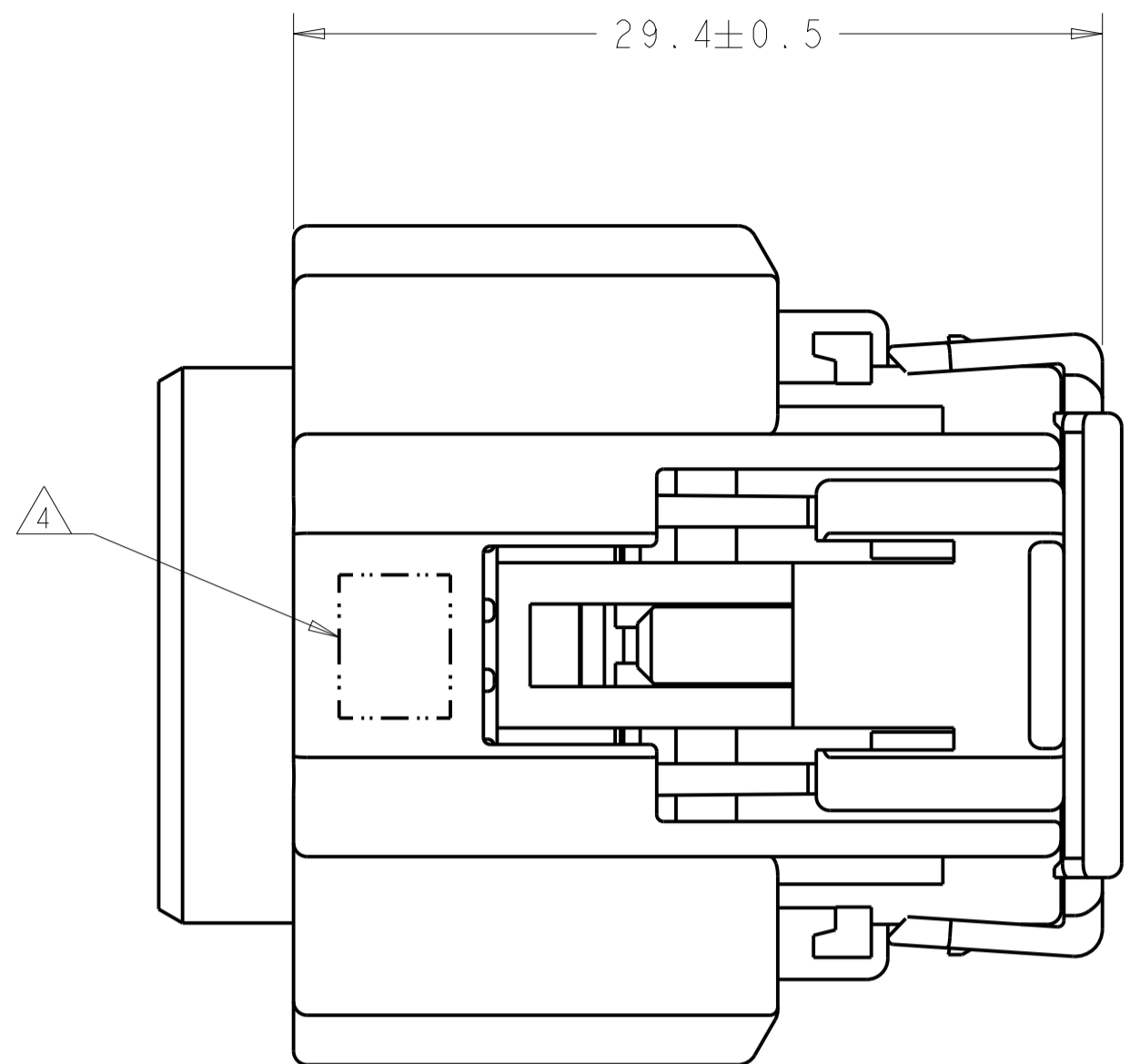
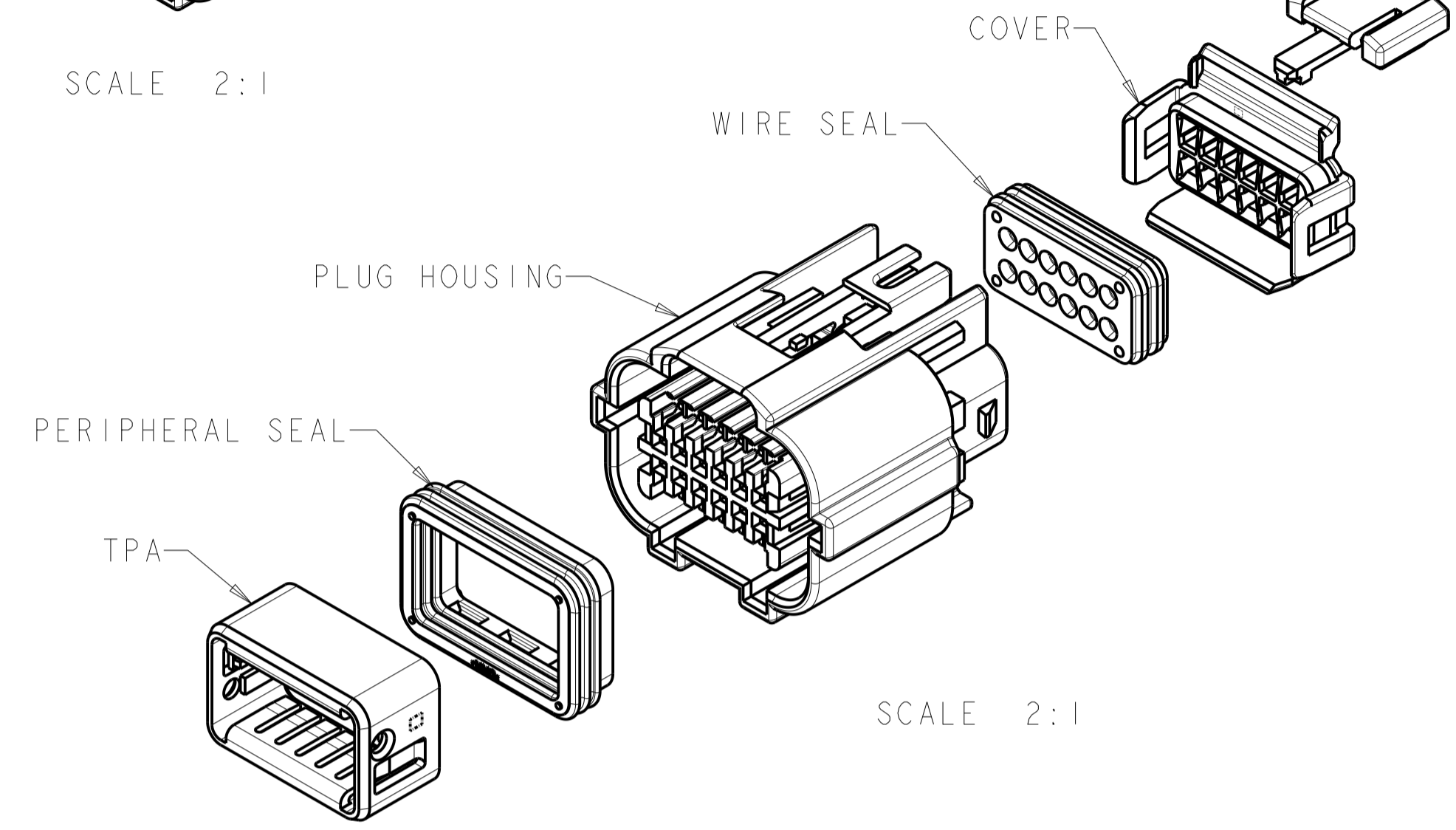


| REVISIONS |     |                                       |           |         |
|-----------|-----|---------------------------------------|-----------|---------|
| P         | LTN | DESCRIPTION                           | DATE      | APPROV  |
| K         |     | ADDED: -52 PER EC 0K80-0046-04        | 02MAR2004 | DLD TMS |
| L         |     | OBSOLETE: -1 THRU -4; EC 0K80-0053-04 | 09MAR2004 | DLD TMS |
| M         |     | REVISED PER EC 0K80-0331-04           | 02SEP2004 | AH CS   |
| M1        |     | REVISED PER ECO-20-012414             | 23APR2021 | AP JRV  |

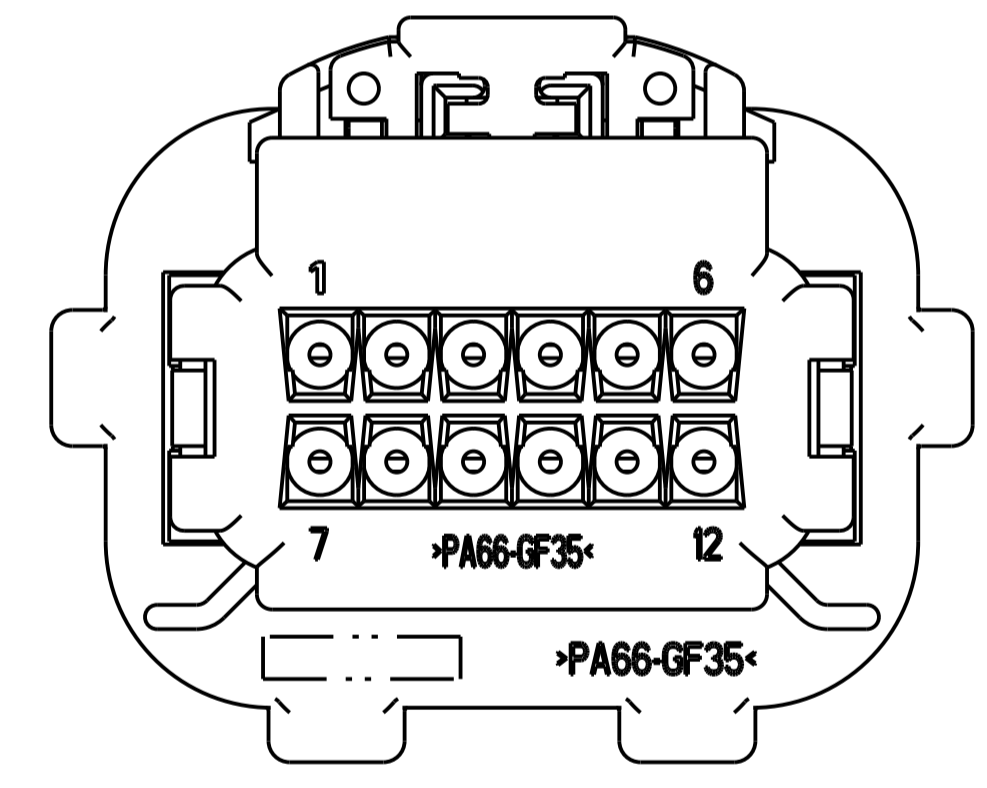
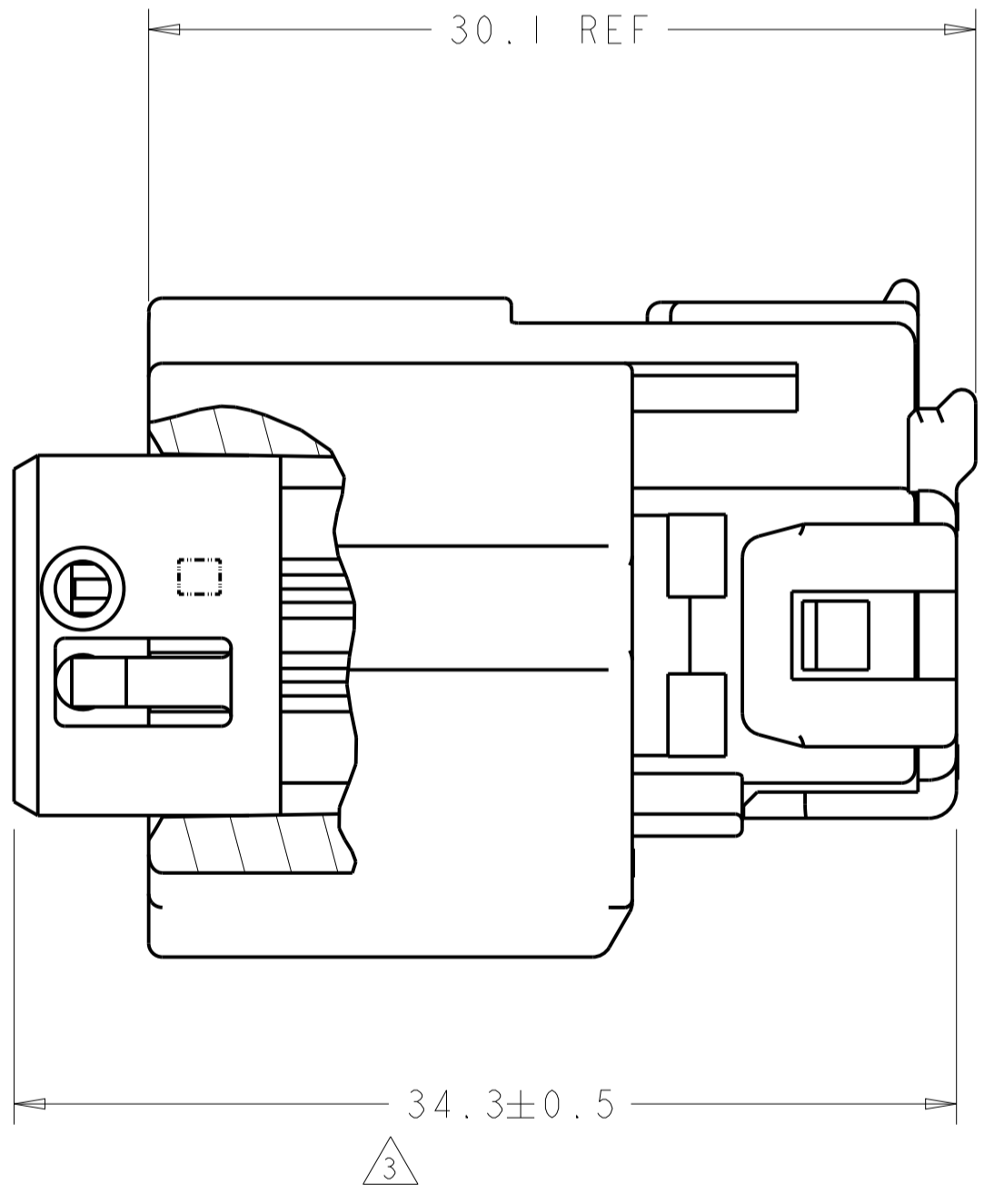
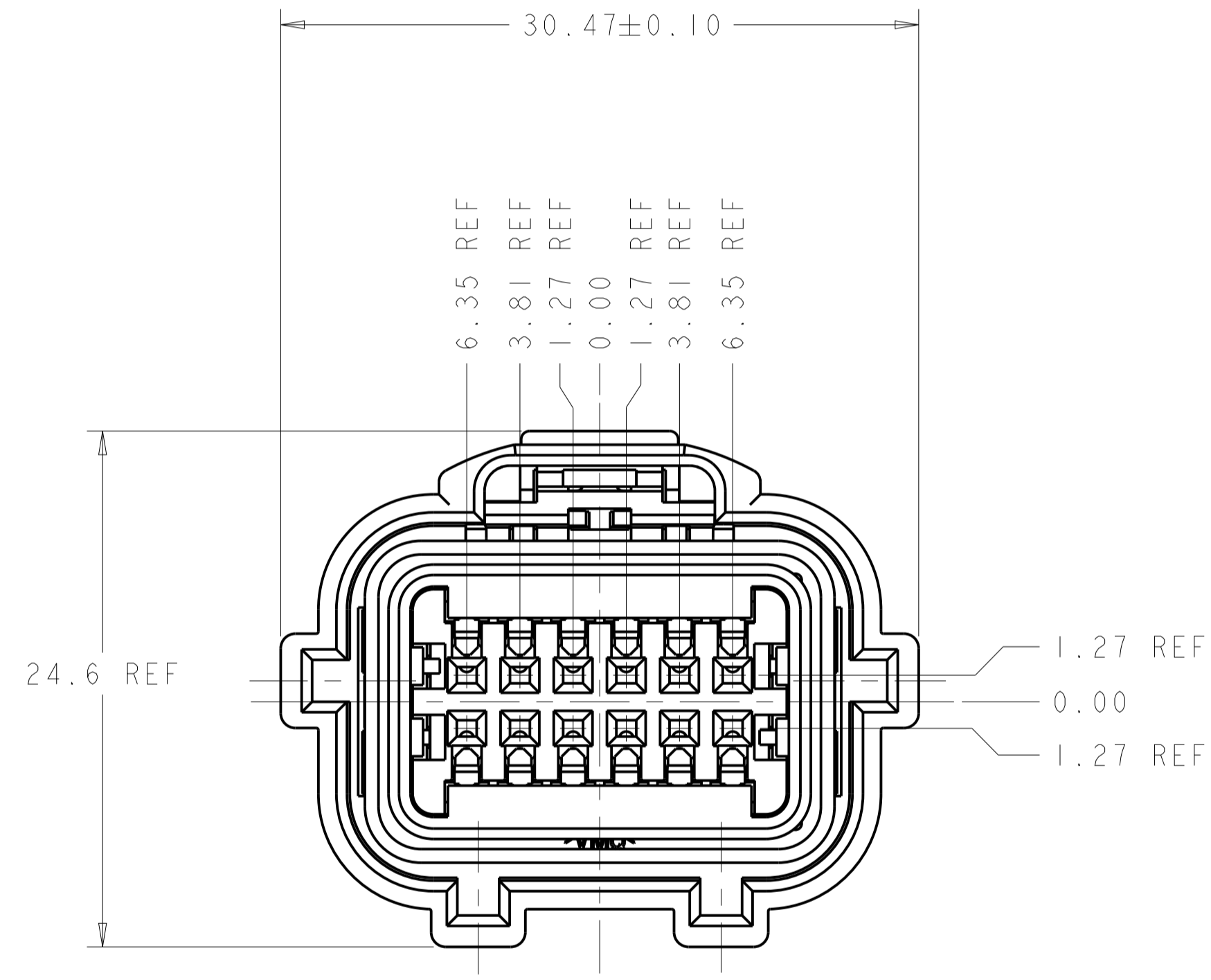


SCALE 2:1

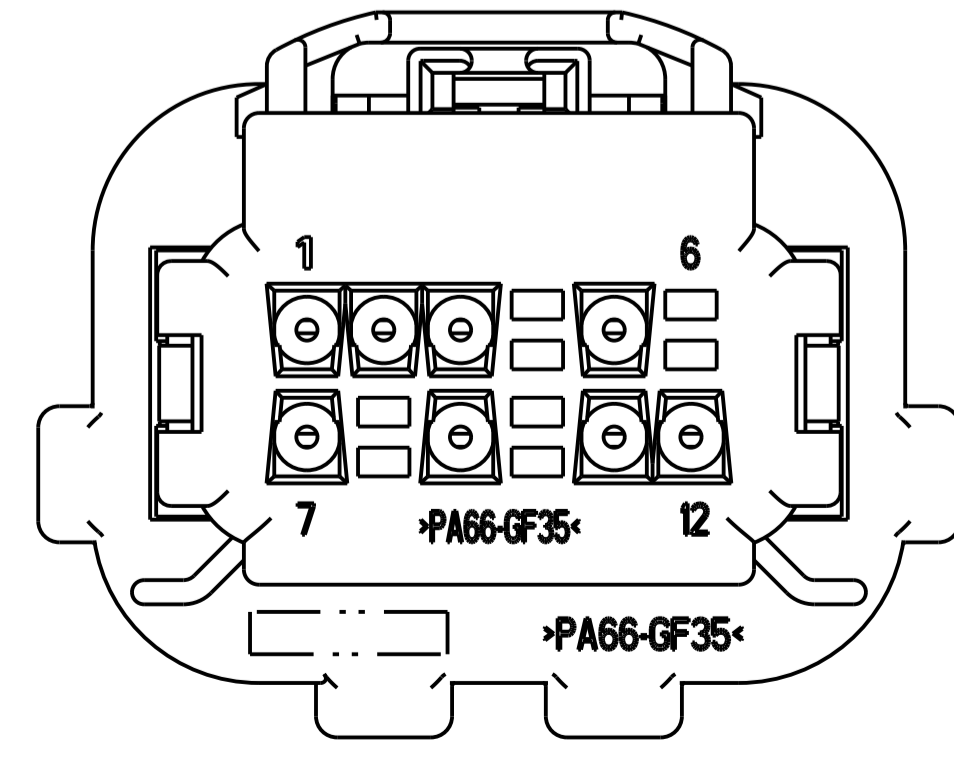
CPA: OPTIONAL - SEE TABLE  
QTY = SEE TABLE



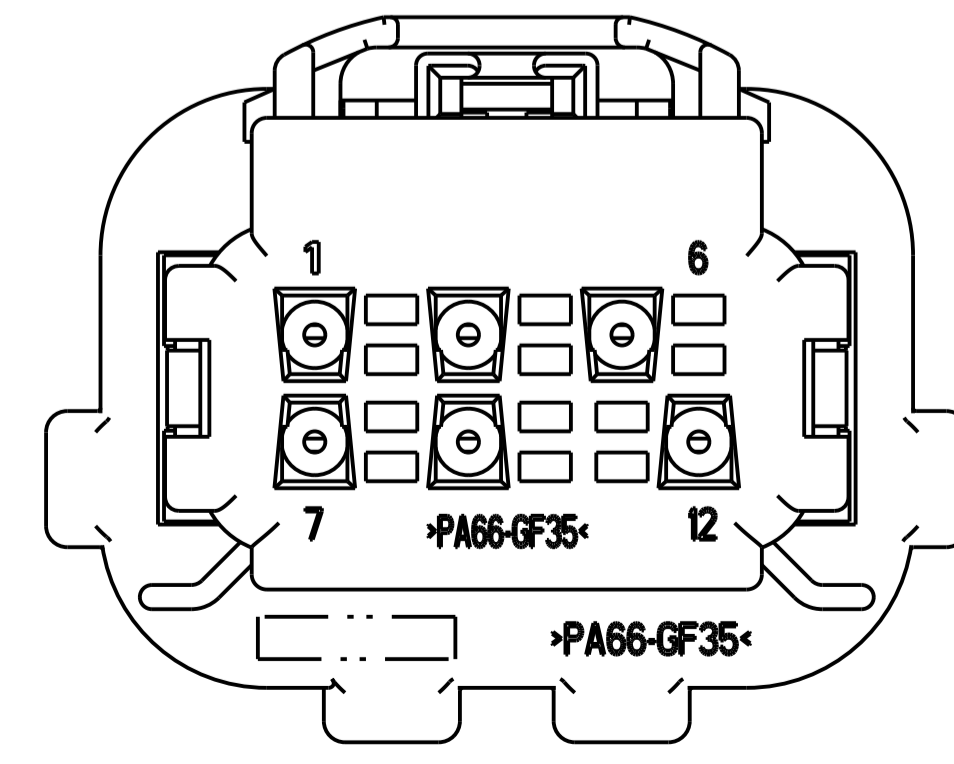
SCALE 2:1



- 638518-5 SHOWN.
- PLUG HOUSING: NYLON 6/6, 35% GLASS FILLED, 25% MAX REGRIND. COLOR: SEE TABLE.  
COVER: NYLON 6/6, 35% GLASS FILLED, BLACK, 25% MAX REGRIND.  
TPA: NYLON 6/6, 35% GLASS FILLED, RED, 25% MAX REGRIND.  
PERIPHERAL SEAL AND WIRE SEAL: SILICONE RUBBER, LIGHT GREEN.  
CPA: PBT 15% GLASS FILLED, RED
- TPA SHOWN IN PRE-LATCHED POSITION.
- MARK FOUR DIGIT JULIAN DATE CODE (DDDD), PLUS AN IDENTIFIER MARK FOR THE BLOCKED CIRCUIT CONFIGURATION ACCORDING TO THE BLOCKED CIRCUIT VERSION PART NUMBER SUFFIX, I.E., DDDD 1 IS PART NUMBER 2-638518-1.
- TERMINALS SOLD SEPARATELY, SEE AMP RECOMMENDED P/N 1326028 (GOLD) OR 638551 (TIN) FOR TERMINATION AND REELING OPTIONS.



2-638518-1



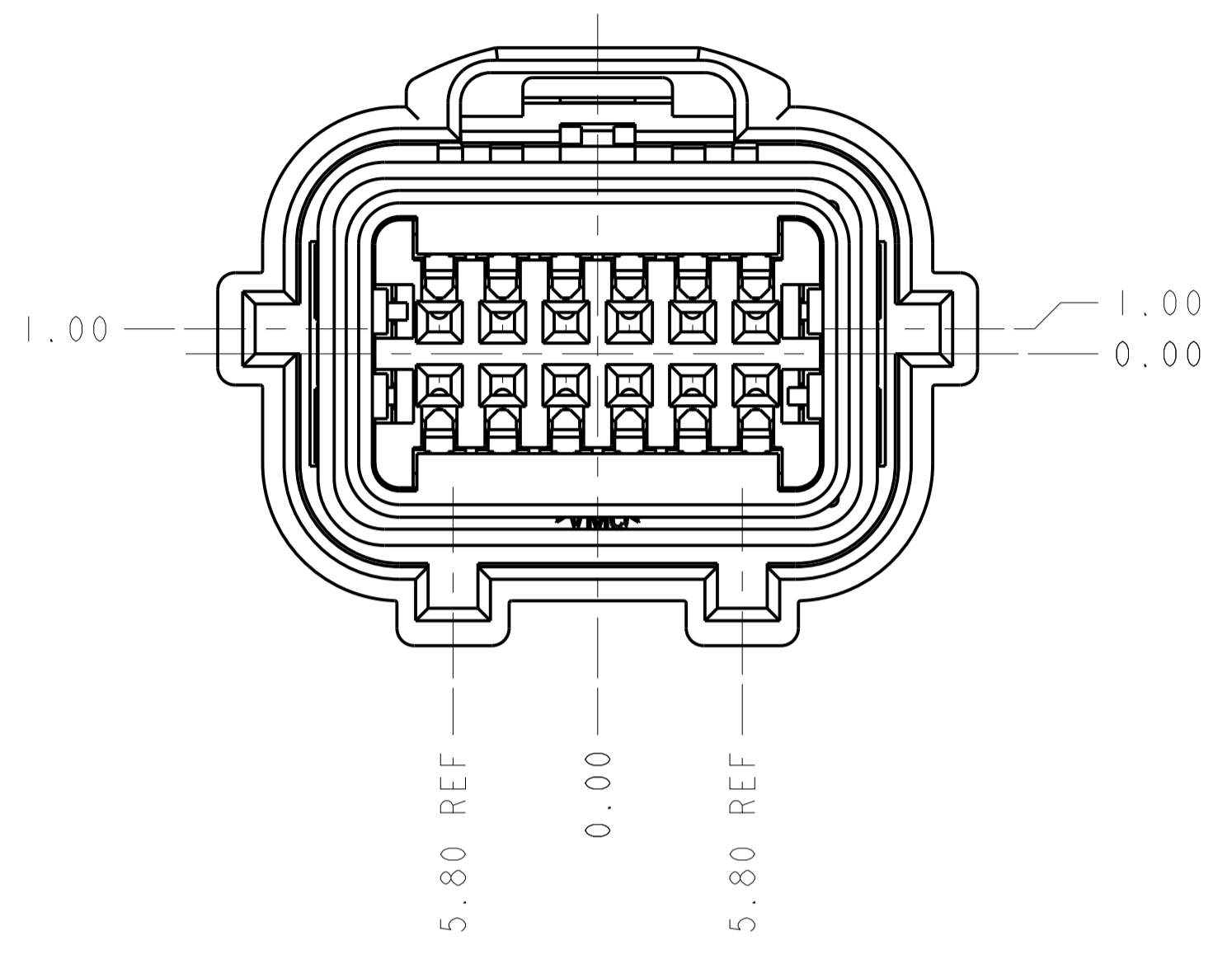
2-638518-2 AND 5-638518-2

| PLUG HOUSING COLOR | CPA QTY | KEYING ARRANGEMENT (SEE SHEET 2) | PART NUMBER |
|--------------------|---------|----------------------------------|-------------|
| OBSOLETE - YELLOW  | I       | "D"                              | 5-638518-2  |
| BLACK              | I       | "D"                              | 2-638518-2  |
| BLACK              | I       | "D"                              | 2-638518-1  |
| BLACK              | I       | "D"                              | 638518-8    |
| TBD                | I       | "C"                              | 638518-7    |
| TBD                | I       | "B"                              | 638518-6    |
| BLACK              | I       | "A"                              | 638518-5    |
| OBSOLETE - TBD     | N/A     | "D"                              | 638518-4    |
| OBSOLETE - TBD     | N/A     | "C"                              | 638518-3    |
| OBSOLETE - TBD     | N/A     | "D"                              | 638518-2    |
| OBSOLETE - BLACK   | N/A     | "A"                              | 638518-1    |

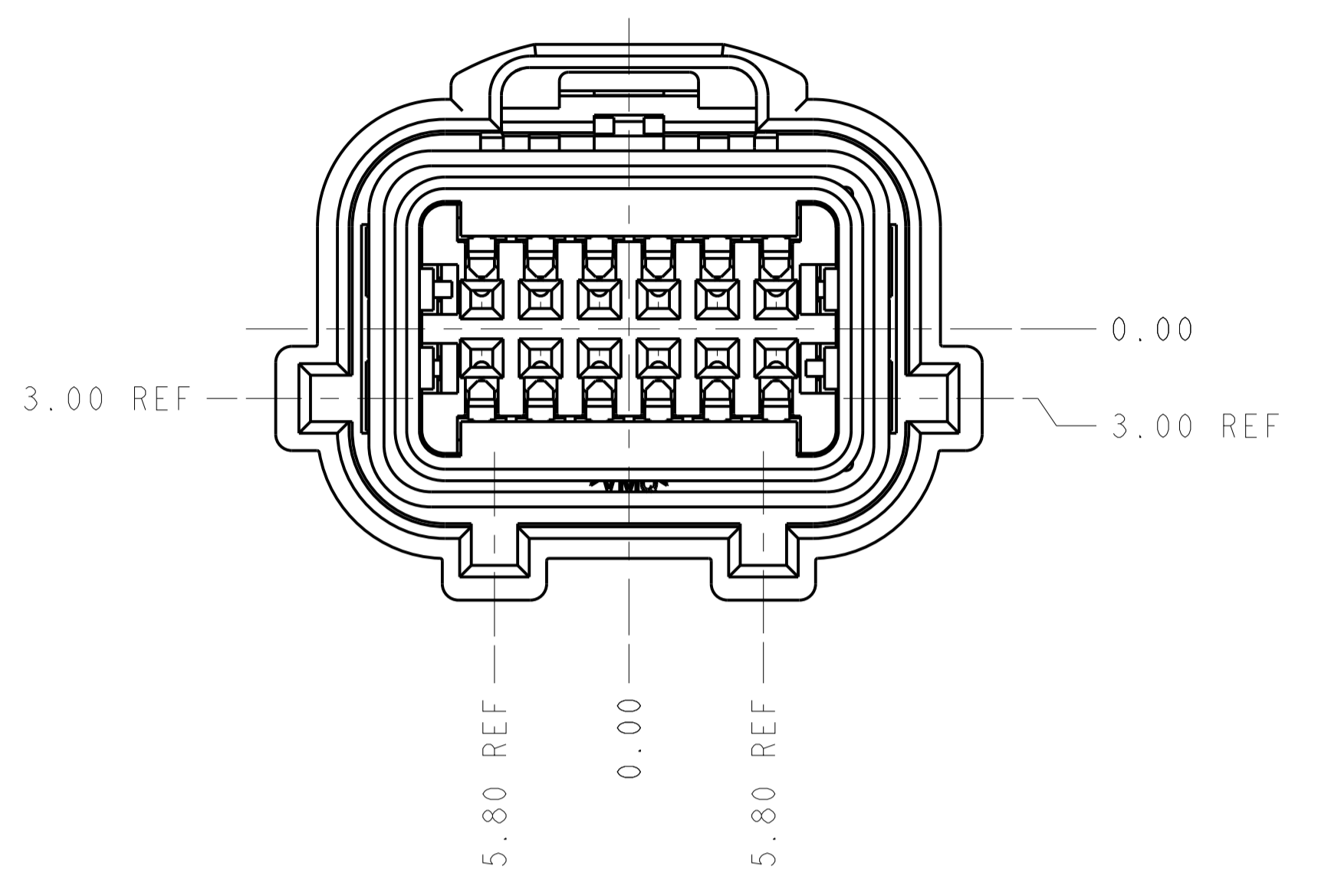
THIS DRAWING IS A CONTROLLED DOCUMENT.

|             |  |                                 |  |
|-------------|--|---------------------------------|--|
| DIMENSIONS: | TOLERANCES UNLESS OTHERWISE SPECIFIED: | OWN: M. SHORE 4MAY01            | TE Connectivity  |
| mm          | 0 PLC ±0.2                             | CHK: M. SHORE 4MAY01            | NAME: PLUG ASSEMBLY, 12 POSITION 2X6, SEALED, 0.64mm CONNECTOR |
|             | 1 PLC ±0.10                            | APP'D: G. BALON 4MAY01          |  |
|             | 2 PLC ±0.10                            | PRODUCT SPEC: SAE/JUSCAR-2 8/97 | SIZE: CAGE CODE DRAWING NO. RESTRICTED TO                      |
|             | 3 PLC ±0.10                            | APPLICATION SPEC:               | A100779C=638518  |
| MATERIAL:   | FINISH:                                | WEIGHT:                         | SCALE: 4:1 SHEET 1 OF 2 REV: M1                                |
|             |  | CUSTOMER DRAWING:               |  |

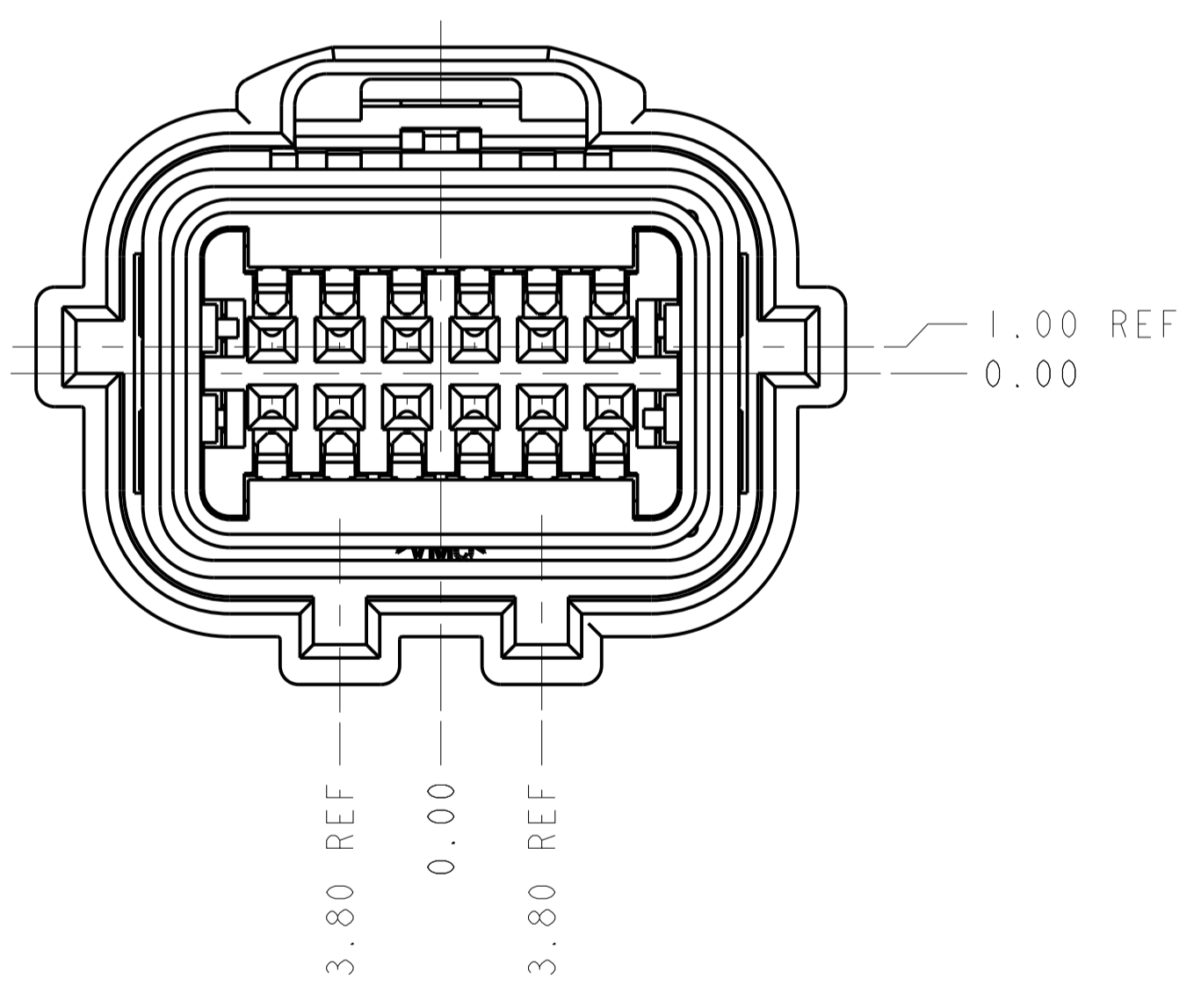
| REVISIONS |     |             |      |      |
|-----------|-----|-------------|------|------|
| P.        | LTN | DESCRIPTION | DATE | APVD |
| -         | -   | SEE SHEET 1 | -    | -    |
|           |     |             |      |      |
|           |     |             |      |      |



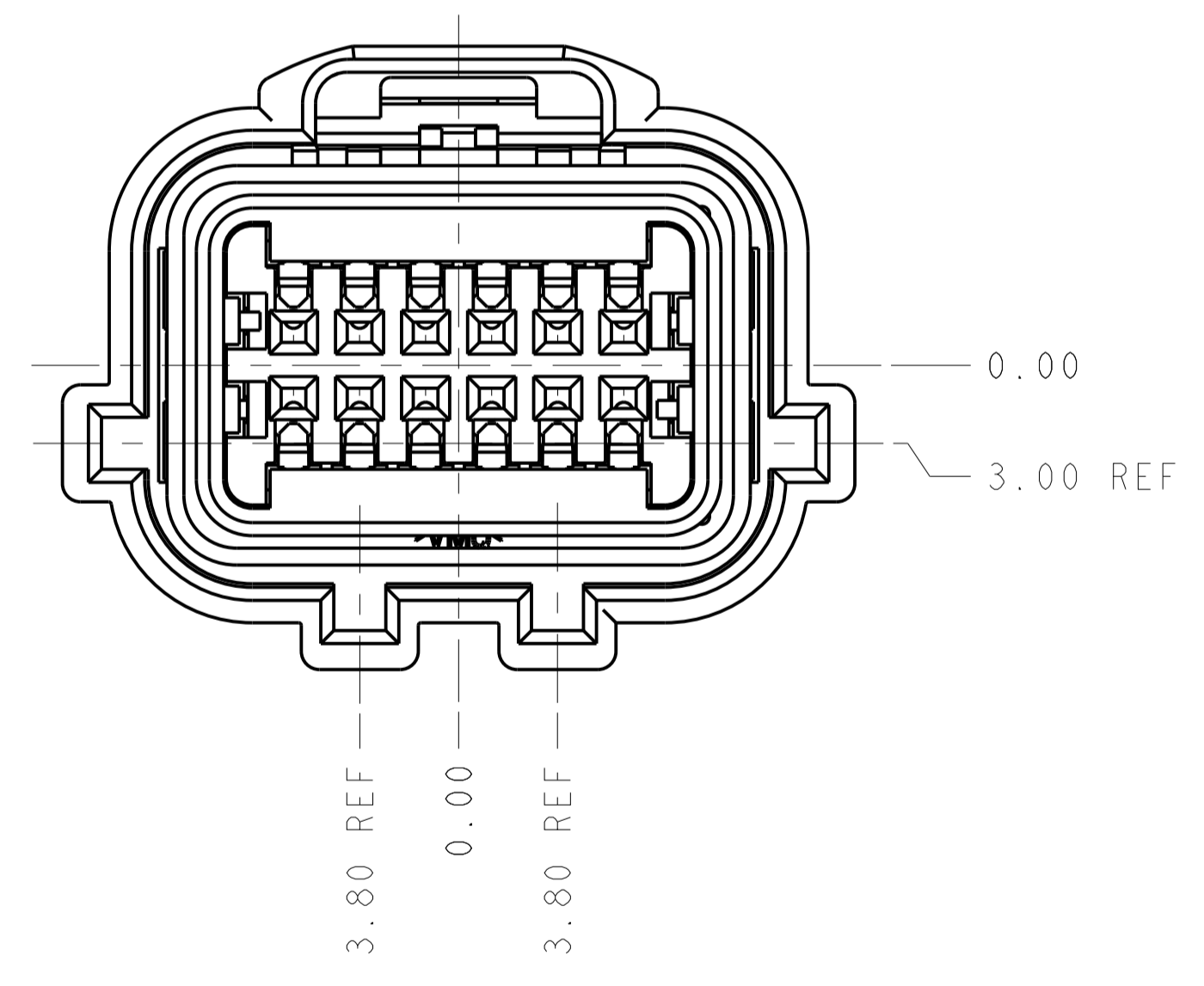
KEY CODE "A"  
(APPLIES TO -1 AND -5 ONLY)  
SCALE 4:1



KEY CODE "B"  
(APPLIES TO -2 AND -6 ONLY)  
SCALE 4:1



KEY CODE "C"  
(APPLIES TO -3 AND -7 ONLY)  
SCALE 4:1



KEY CODE "D"  
(APPLIES TO -4, -8, -21, -22 AND -52)  
SCALE 4:1

|  |  |                  |                  |        |           |  |               |
|--|--|------------------|------------------|--------|-----------|--|---------------|
| THIS DRAWING IS A CONTROLLED DOCUMENT.   |  | DWN              | M. SHORE         | 4MAY01 |           | NAME<br>PLUG ASSEMBLY,<br>12 POSITION 2X6, SEALED,<br>0.64mm CONNECTOR |               |
| DIMENSIONS:  |  | CHK              | M. SHORE         | 4MAY01 |           |  |               |
| mm   |  | APVD             | G. BALON         | 4MAY01 |           |  |               |
| TOLERANCES UNLESS OTHERWISE SPECIFIED:<br>0 PLC ±<br>1 PLC ±0.2<br>2 PLC ±0.10<br>3 PLC ±<br>4 PLC ±<br>ANGLES ± |  | PRODUCT SPEC     | SAE/USCAR-2 8/97 |        |           |  |               |
| MATERIAL   |  | FINISH           | WEIGHT           | SIZE   | CAGE CODE | DRAWING NO   | RESTRICTED TO |
|  |  |                  |                  |        | A100779   | C=638518   |               |
|  |  | CUSTOMER DRAWING |                  | SCALE  | 4:1       | SHEET  | 2 OF 2        |

单击下面可查看定价，库存，交付和生命周期等信息

[>>TE Connectivity\(泰科\)](#)