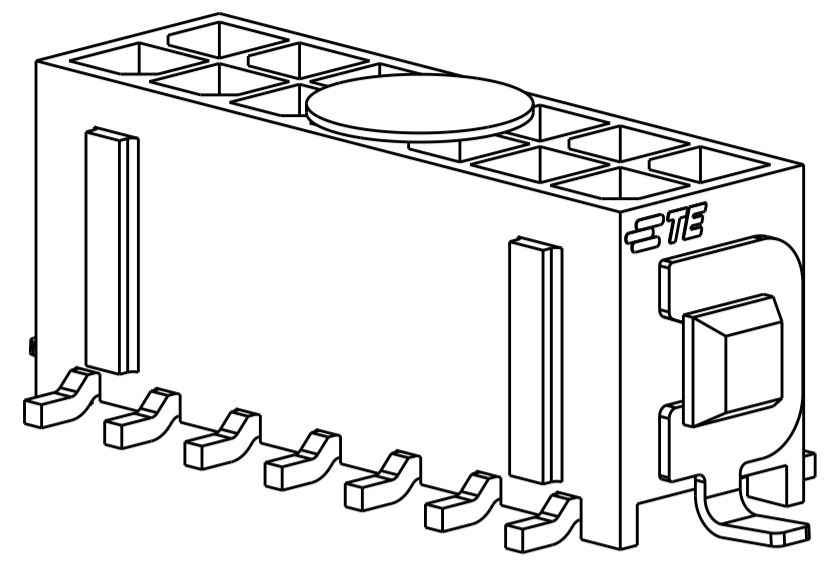
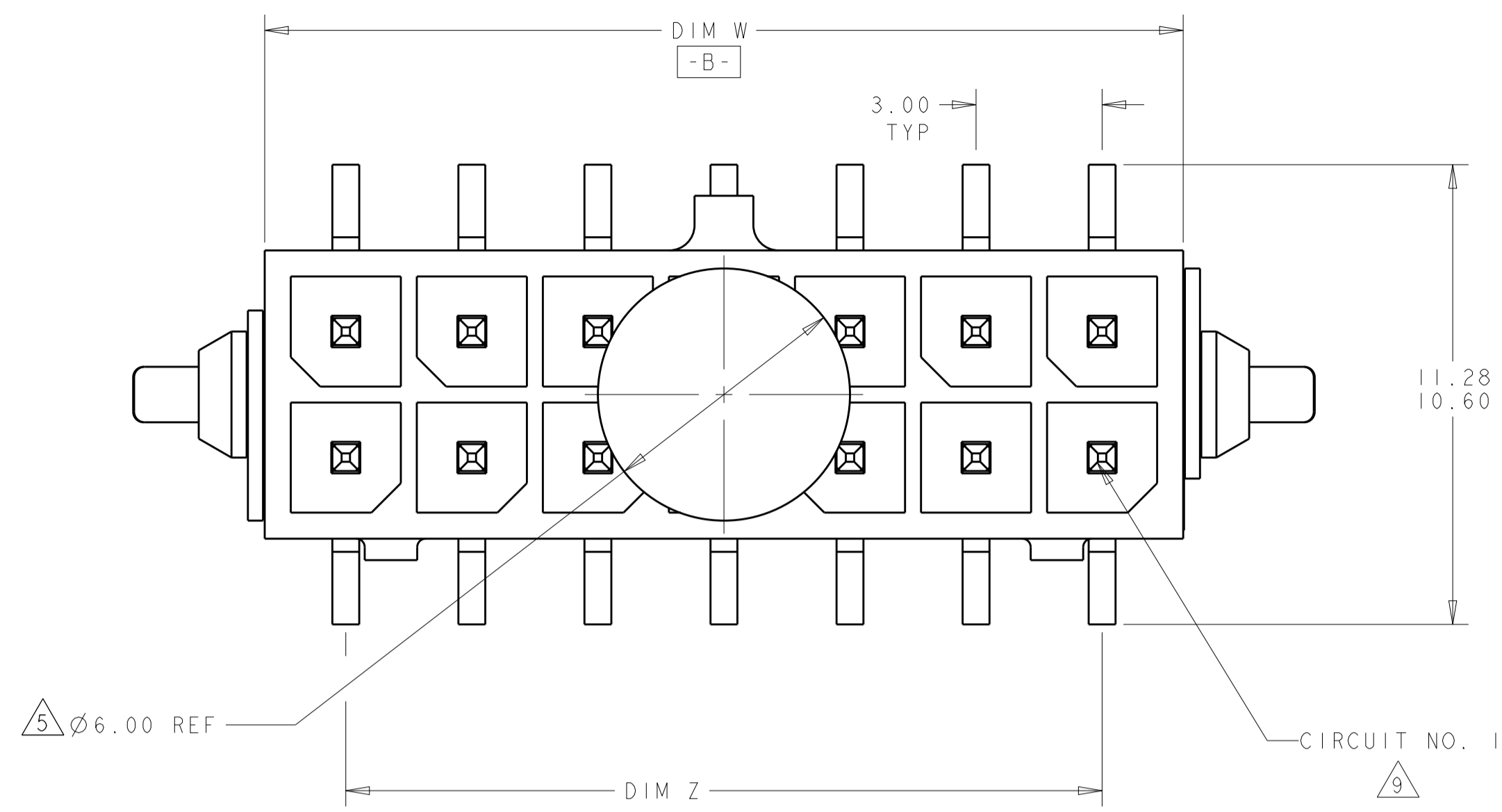
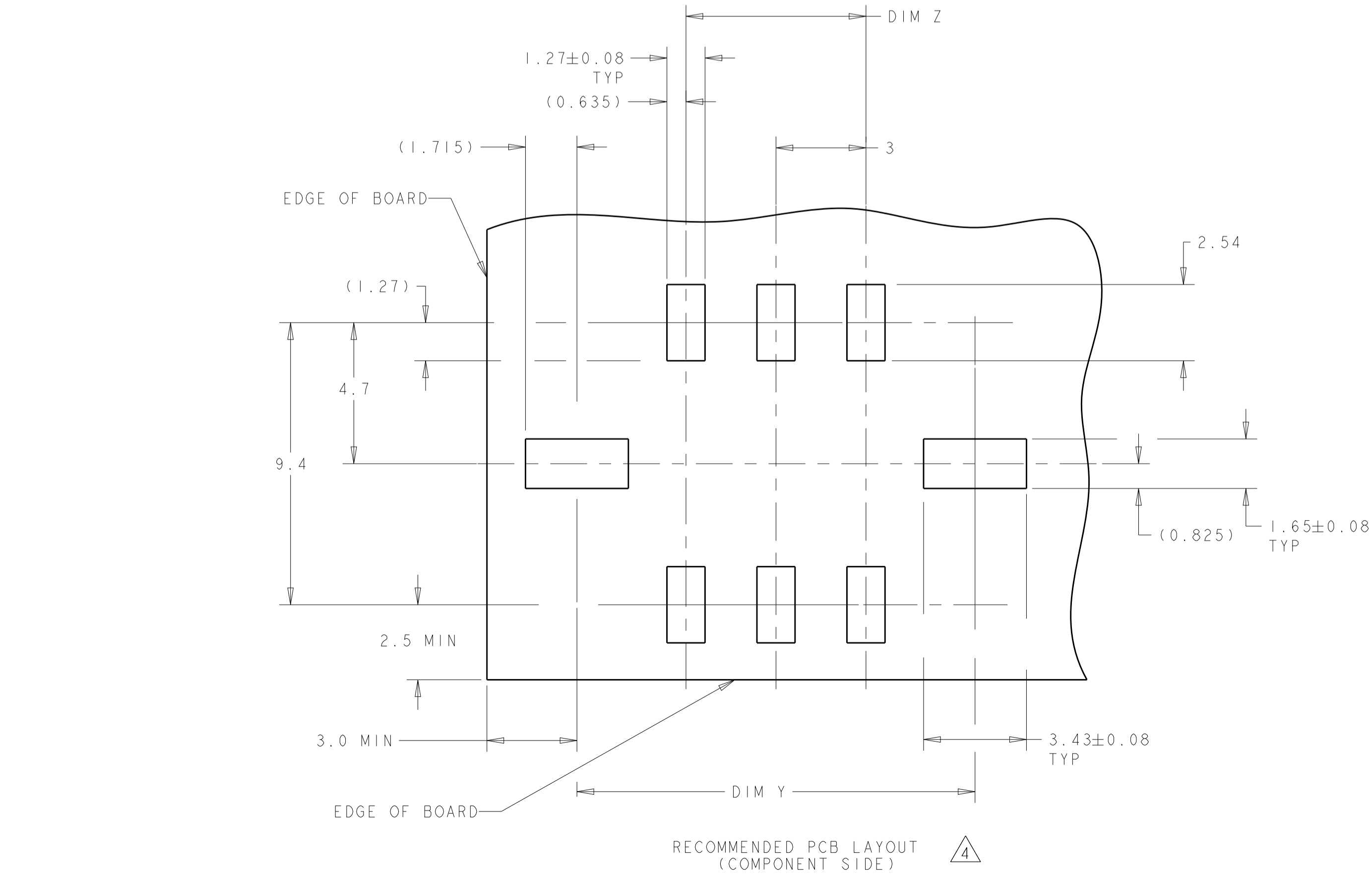
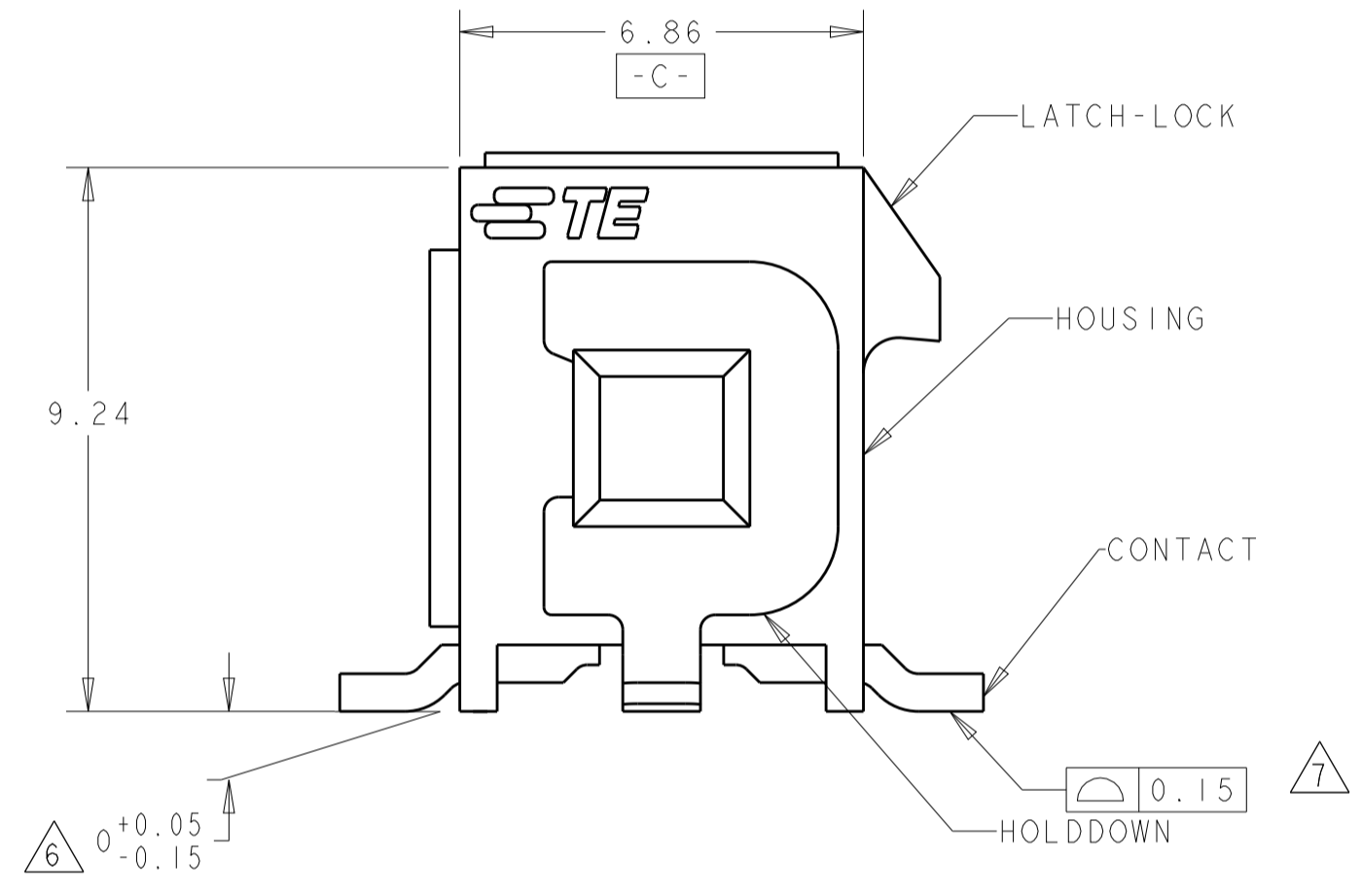
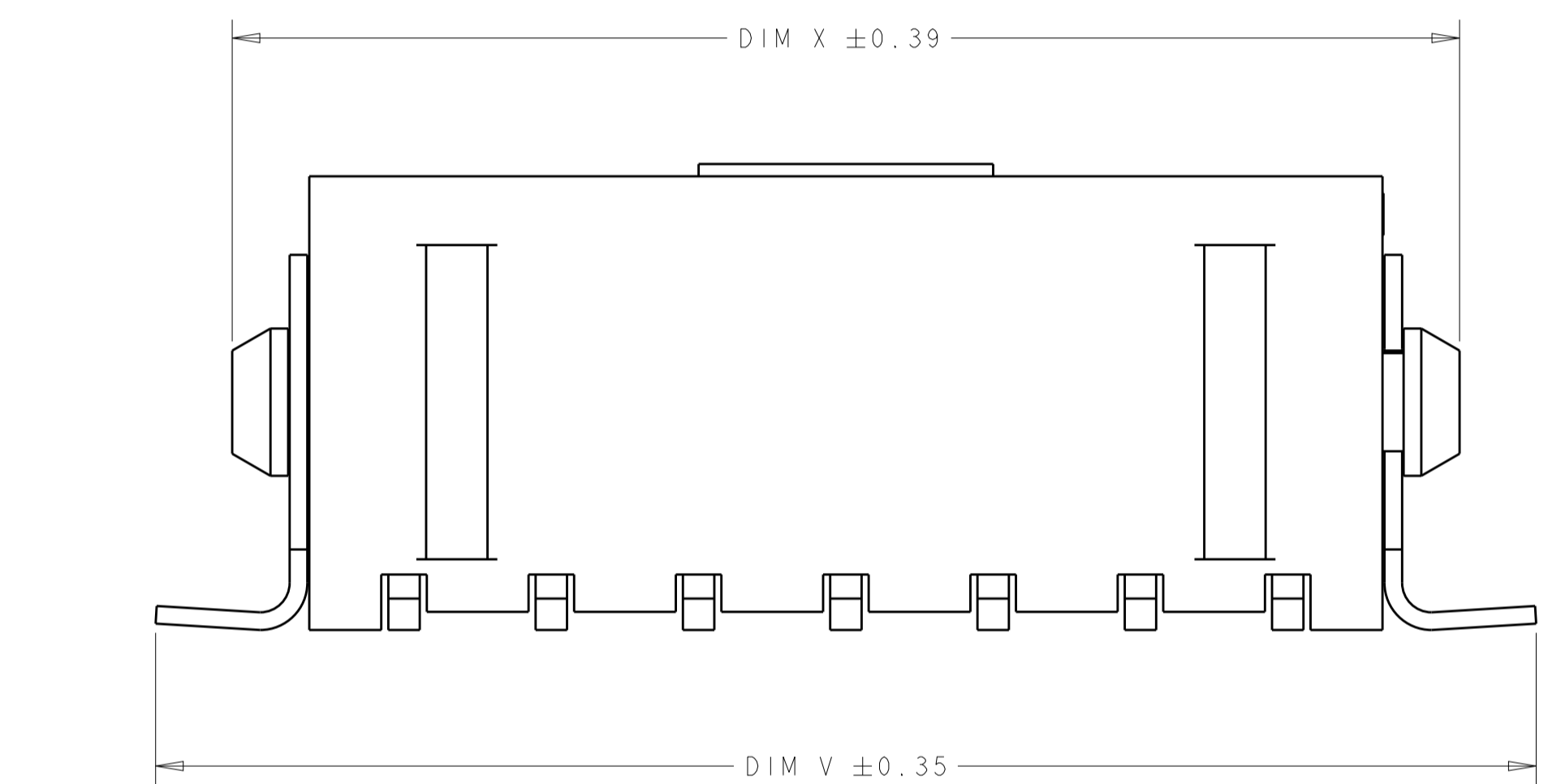


| REVISIONS |      |                           |           |      |       |
|-----------|------|---------------------------|-----------|------|-------|
| P.        | LTN. | DESCRIPTION               | DATE      | DWN. | APVD. |
| K2        |      | REVISED PER ECR-17-017609 | 04DEC2017 | JB   | DZ    |
| K3        |      | ECO-19-006502             | 30APR2019 | AP   | WS    |



SCALE 5:1

- 1 MATERIAL;  
CONTACTS - BRASS.  
HOUSING - UL 94V-0 RATED HIGH TEMP NYLON, COLOR; BLACK.  
HOLDDOWNS - PHOSPHOR BRONZE.
- 2 PLATING;  
CONTACTS - 0.76µm MINIMUM GOLD OVER 2.54µm MINIMUM NICKEL ON MATING AREA. 2.54µm TIN-LEAD MINIMUM OVER 2.54µm NICKEL MINIMUM ON SOLDER TAILS.  
HOLDDOWNS - 2.54µm TIN LEAD.
- 4 RECOMMENDED PC BOARD THICKNESS OF 1.57.
- 5 KAPTON VACUUM PICK UP BUTTON.
- 6 DIMENSION APPLIES TO SOLDER TAIL SURFACES AND STANDOFF SURFACES.
- 7 ALL SOLDER TAILS AND HOLDDOWNS.
- 8 PLATING;  
CONTACTS - 0.76µm MINIMUM GOLD OVER 2.54µm MINIMUM NICKEL ON MATING AREA. 2.54µm MATTE TIN MINIMUM OVER 2.54µm NICKEL MINIMUM ON SOLDER TAILS.  
HOLDDOWNS - 2.54µm MATTE TIN.
- 9 CIRCUIT NUMBER 1 IS LOCATED AT THE BOTTOM RIGHT WITH THE LATCH-LOCK ON TOP LOOKING INTO THE CAVITIES



| FINISH | DIM V | DIM W | DIM Y | DIM Z | DIM X | NO. OF POSN. | PART NUMBER |
|--------|-------|-------|-------|-------|-------|--------------|-------------|
| 8      | 43.04 | 36.86 | 40.27 | 33.00 | 40.00 | 24           | 5-794638-4  |
| 8      | 40.04 | 33.86 | 37.27 | 31.00 | 37.00 | 22           | 5-794638-2  |
| 8      | 37.04 | 30.86 | 34.27 | 27.00 | 34.00 | 20           | 5-794638-0  |
| 8      | 34.04 | 27.86 | 31.27 | 24.00 | 31.00 | 18           | 4-794638-8  |
| 8      | 31.04 | 24.86 | 28.27 | 21.00 | 28.00 | 16           | 4-794638-6  |
| 8      | 28.04 | 21.86 | 25.27 | 18.00 | 25.00 | 14           | 4-794638-4  |
| 8      | 25.04 | 18.86 | 22.27 | 15.00 | 22.00 | 12           | 4-794638-2  |
| 8      | 22.04 | 15.86 | 19.27 | 12.00 | 19.00 | 10           | 4-794638-0  |
| 8      | 19.04 | 12.86 | 16.27 | 9.00  | 16.00 | 8            | 3-794638-8  |
| 8      | 16.04 | 9.86  | 13.27 | 6.00  | 13.00 | 6            | 3-794638-6  |
| 8      | 13.04 | 6.86  | 10.27 | 3.00  | 10.00 | 4            | 3-794638-4  |
| 8      | 10.04 | 3.86  | 7.27  | -     | 7.00  | 2            | 3-794638-2  |

|                          |   |       |       |       |       |       |    |                       |
|--------------------------|---|-------|-------|-------|-------|-------|----|-----------------------|
| SUPERSEDED BY 5-794638-4 | 2 | 43.04 | 36.86 | 40.27 | 33.00 | 40.00 | 24 | <del>5-794638-4</del> |
| SUPERSEDED BY 5-794638-2 | 2 | 40.04 | 33.86 | 37.27 | 30.00 | 37.00 | 22 | <del>5-794638-2</del> |
| SUPERSEDED BY 5-794638-0 | 2 | 37.04 | 30.86 | 34.27 | 27.00 | 34.00 | 20 | <del>5-794638-0</del> |
| SUPERSEDED BY 4-794638-8 | 2 | 34.04 | 27.86 | 31.27 | 24.00 | 31.00 | 18 | <del>4-794638-8</del> |
| SUPERSEDED BY 4-794638-6 | 2 | 31.04 | 24.86 | 28.27 | 21.00 | 28.00 | 16 | <del>4-794638-6</del> |
| SUPERSEDED BY 4-794638-4 | 2 | 28.04 | 21.86 | 25.27 | 18.00 | 25.00 | 14 | <del>4-794638-4</del> |
| SUPERSEDED BY 4-794638-2 | 2 | 25.04 | 18.86 | 22.27 | 15.00 | 22.00 | 12 | <del>4-794638-2</del> |
| SUPERSEDED BY 4-794638-0 | 2 | 22.04 | 15.86 | 19.27 | 12.00 | 19.00 | 10 | <del>4-794638-0</del> |
| SUPERSEDED BY 3-794638-8 | 2 | 19.04 | 12.86 | 16.27 | 9.00  | 16.00 | 8  | <del>3-794638-8</del> |
| SUPERSEDED BY 3-794638-6 | 2 | 16.04 | 9.86  | 13.27 | 6.00  | 13.00 | 6  | <del>3-794638-6</del> |
| SUPERSEDED BY 3-794638-4 | 2 | 13.04 | 6.86  | 10.27 | 3.00  | 10.00 | 4  | <del>3-794638-4</del> |
| SUPERSEDED BY 3-794638-2 | 2 | 10.04 | 3.86  | 7.27  | -     | 7.00  | 2  | <del>3-794638-2</del> |

THIS DRAWING IS A CONTROLLED DOCUMENT. DWN: H. WHITAKER 9-MAR-2003  
CHK: C. JONES 19-MAR-2003

DIMENSIONS: mm. TOLERANCES UNLESS OTHERWISE SPECIFIED:  
0 PLC ±  
1 PLC ±0.13  
2 PLC ±  
3 PLC ±  
4 PLC ±  
ANGLES ±

MATERIAL: FINISH: SEE TABLE

PRODUCT SPEC: 108-1836  
APPLICATION SPEC: 114-13000

WEIGHT: -

CUSTOMER DRAWING

NAME: SURFACE MOUNT, VERTICAL, SURFACE MOUNT HOLDDOWN, ASSEMBLY, 30 GOLD HEADER, DUAL ROW, MICRO MATE -N-LOK(TM)

SIZE: 114-13000  
CAGE CODE: 794638

RESTRICTED TO: A100779

SCALE: 8:1 SHEET 1 OF 1 REV: K3

单击下面可查看定价，库存，交付和生命周期等信息

[>>TE Connectivity\(泰科\)](#)