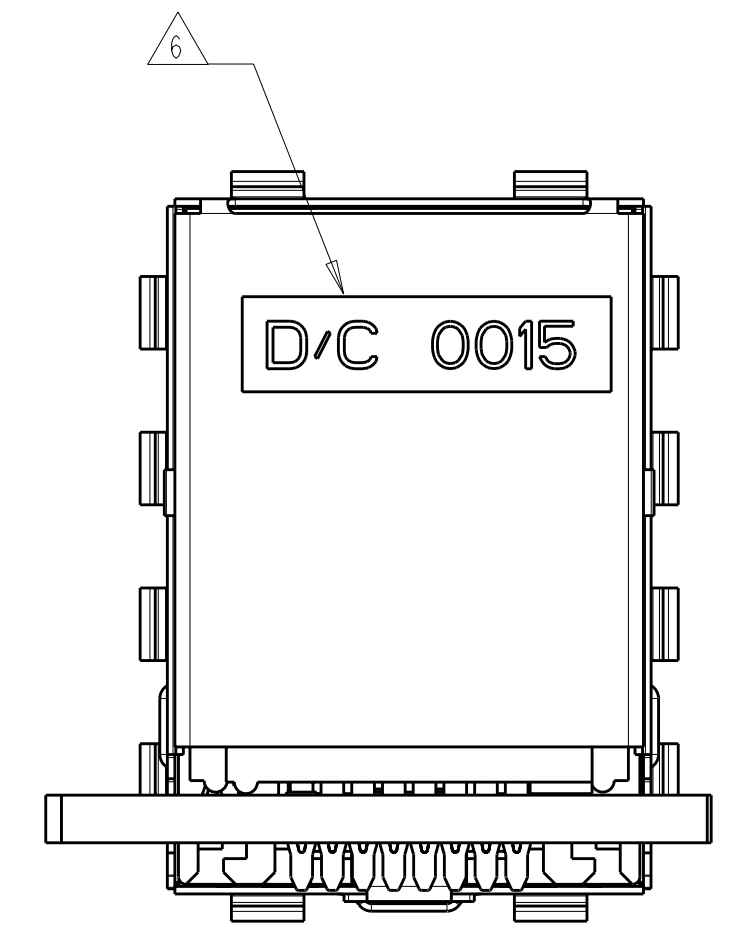
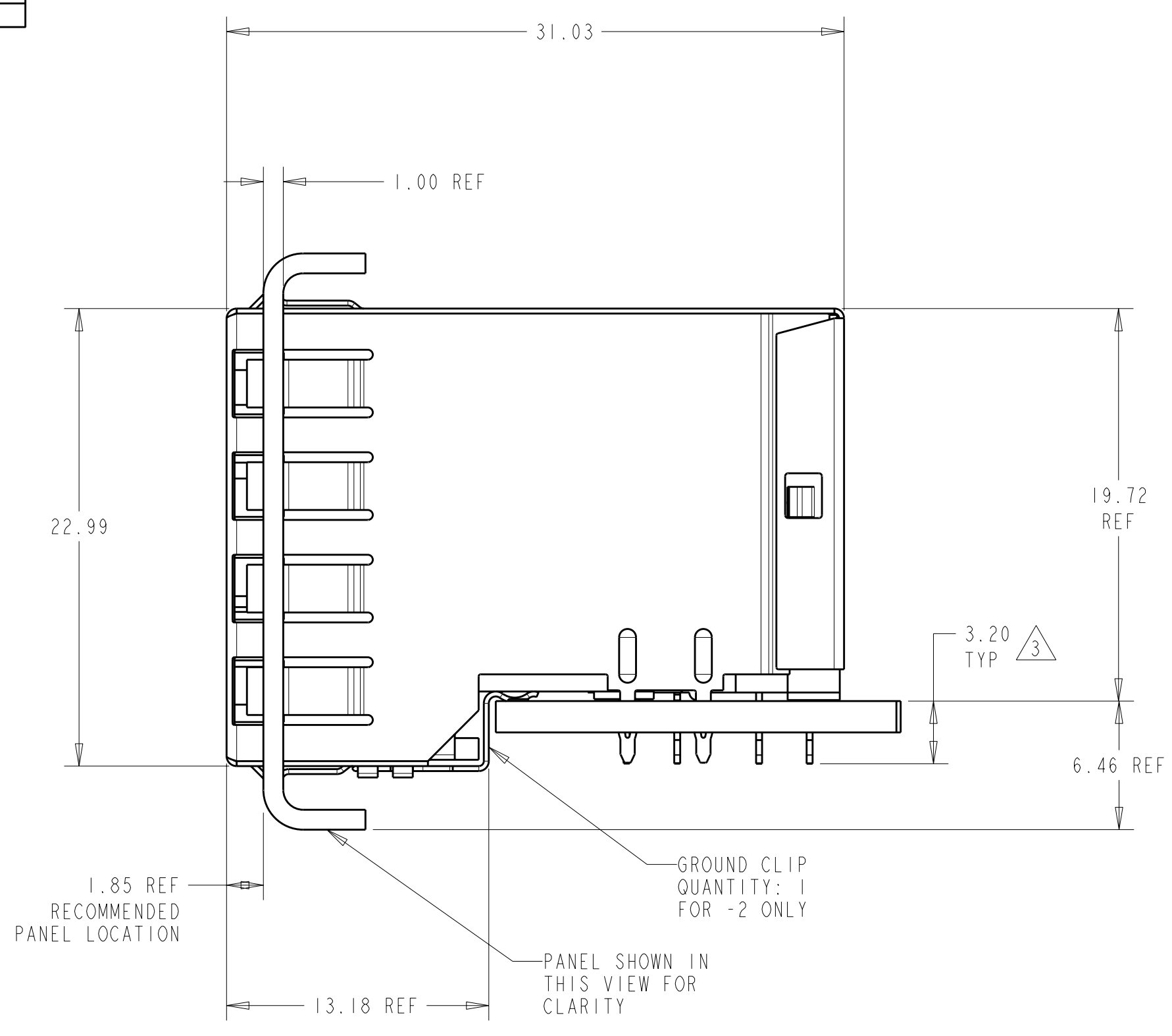
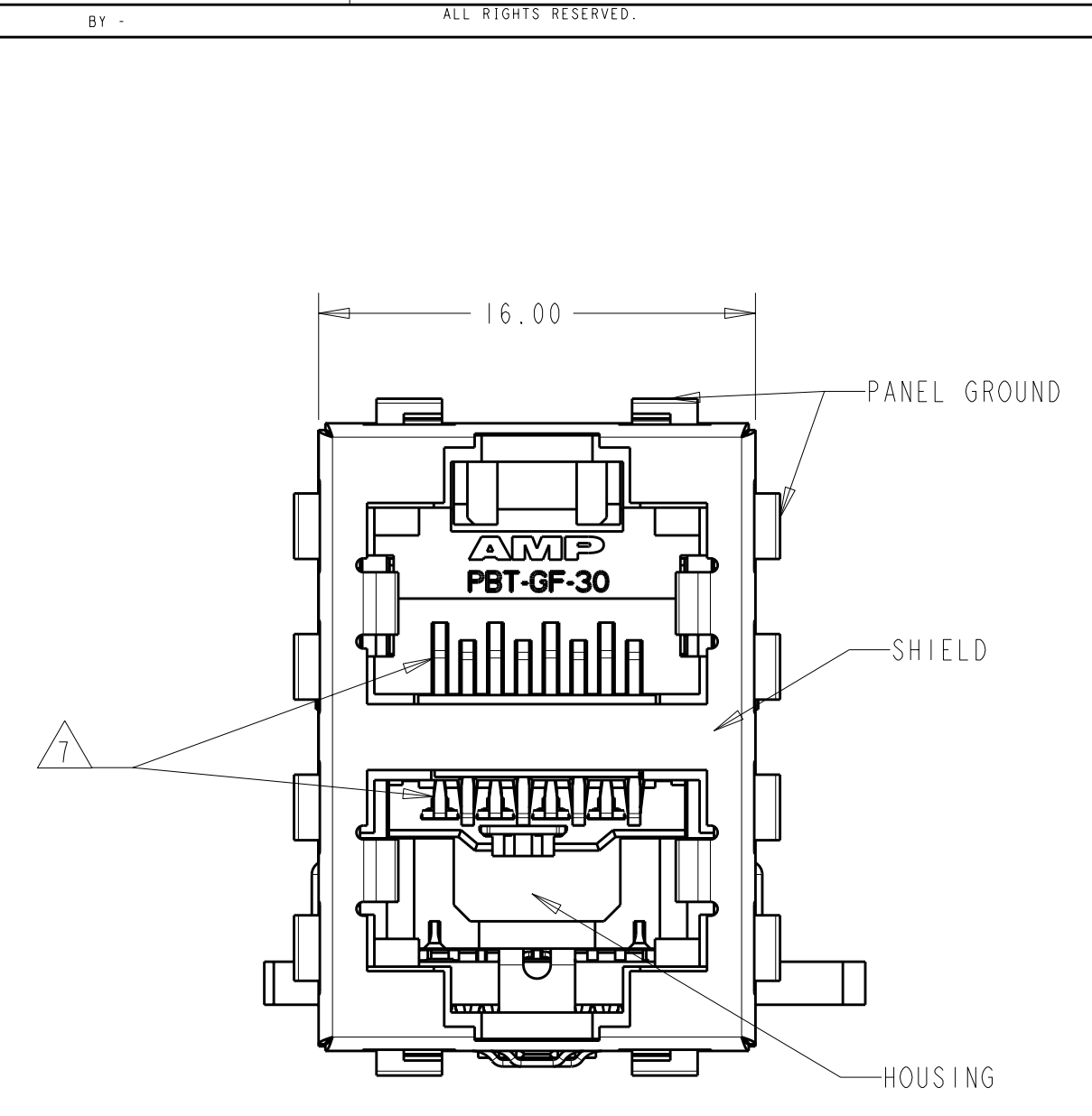
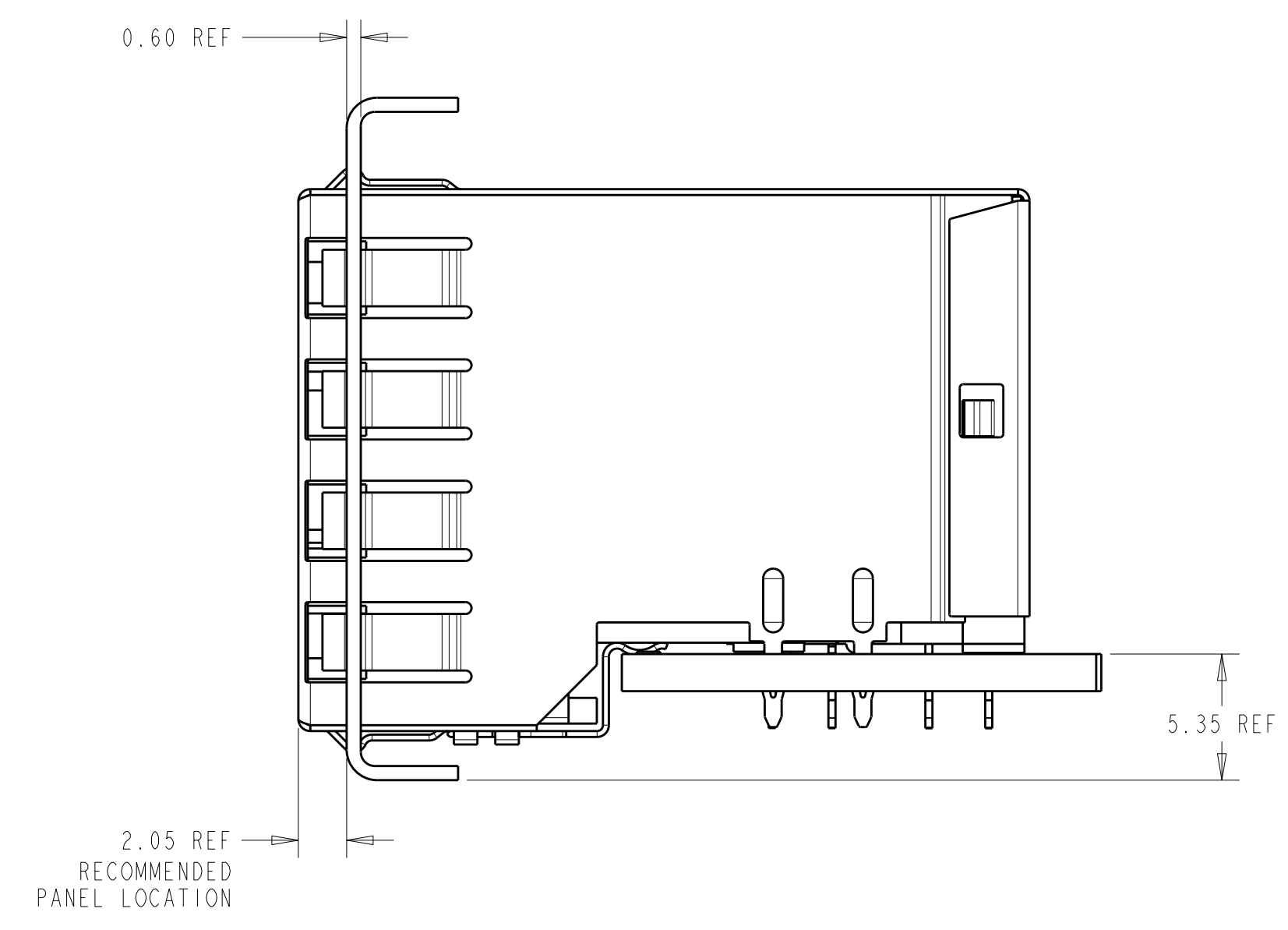


LOC	DIST	REV	DATE	BY	CHK	APP
AA	00	C2	18MAR2011	RK	HMR	



- MATERIAL: HOUSING: PBT POLYESTER, BLACK, UL 94V-0
TERMINALS: 0.33 THICK PHOSPHOR BRONZE PLATED WITH 1.27µm MINIMUM THICK HARD GOLD IN LOCALIZED AREA AND 3.81µm MINIMUM THICK TIN IN ACTION PIN COMPLIANT PIN TERMINAL AREA OVER 1.27µm MINIMUM THICK NICKEL UNDERPLATE
SHIELD: 0.25 THICK COPPER ALLOY PLATED WITH 2.03µm MINIMUM TIN OVER 1.27 µm MINIMUM NICKEL
GROUND CLIP: 0.25 THICK COPPER ALLOY PRE-PLATED WITH 2.03µm MINIMUM MATTE TIN OVER 1.27µm MINIMUM NICKEL
 - JACK CAVITY CONFORMS TO FCC RULES AND REGULATIONS, PART 68 SUBPART F.
- 3 MAXIMUM PIN LENGTH 3.40 FROM TOP SURFACE OF PC BOARD
 - 4 FINISH PLATED THRU HOLE DIAMETER ANNULAR RING DIAMETER 1.3 TO 1.5
 - 5 DATUMS AND BASIC DIMENSIONS ESTABLISHED BY CUSTOMER
 - 6 DATE CODE LOCATED ON REAR OF PART APPROXIMATELY AS SHOWN
 - 7 CONTACTS ARE NOT INTENDED TO BE ALIGNED WITH EACH OTHER

ATCA PANEL AND PRINTED CIRCUIT BOARD ASSEMBLY LAYOUT



AMC PANEL AND PRINTED CIRCUIT BOARD ASSEMBLY LAYOUT

M DIM	DESCRIPTION	PART NUMBER
15.88	WITH GROUND CLIP	1888652-2 (SHOWN)
16.13	WITHOUT GROUND CLIP	1888652-1

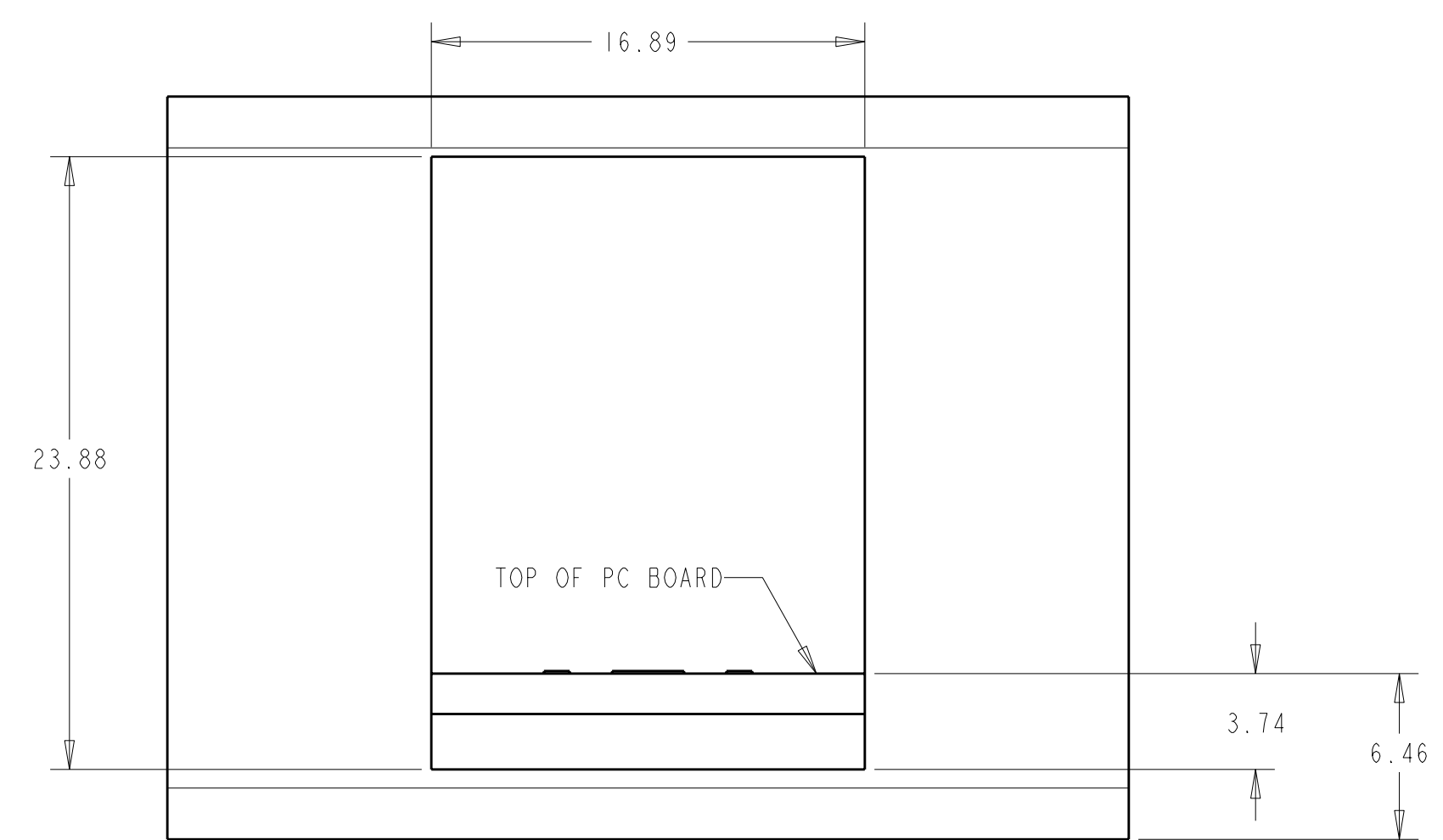
THIS DRAWING IS A CONTROLLED DOCUMENT.

DIMENSIONS: mm	TOLERANCES UNLESS OTHERWISE SPECIFIED:	DWN: L.A. MAYER 16OCT2006	CHK: J. WESTMAN 16OCT2006	APVD: S. FLICKINGER 16OCT2006	NAME: STACKED MOD JACK ASSEMBLY, 2 X 1, 2 POSN, RJ45, SHIELDED, PANEL GROUND, OFFSET, CAT 5
0 PLC ±	1 PLC ±0.13	PRODUCT SPEC: 108-1854	APPLICATION SPEC: 114-2160	WEIGHT: -	SIZE: A1
2 PLC ±	3 PLC ±	FINISH: -	CUSTOMER DRAWING	SCALE: 2:1	SHEET 1 OF 2
4 PLC ±	ANGLES ±1°	MATERIAL: SEE NOTE 1	REV: C2		

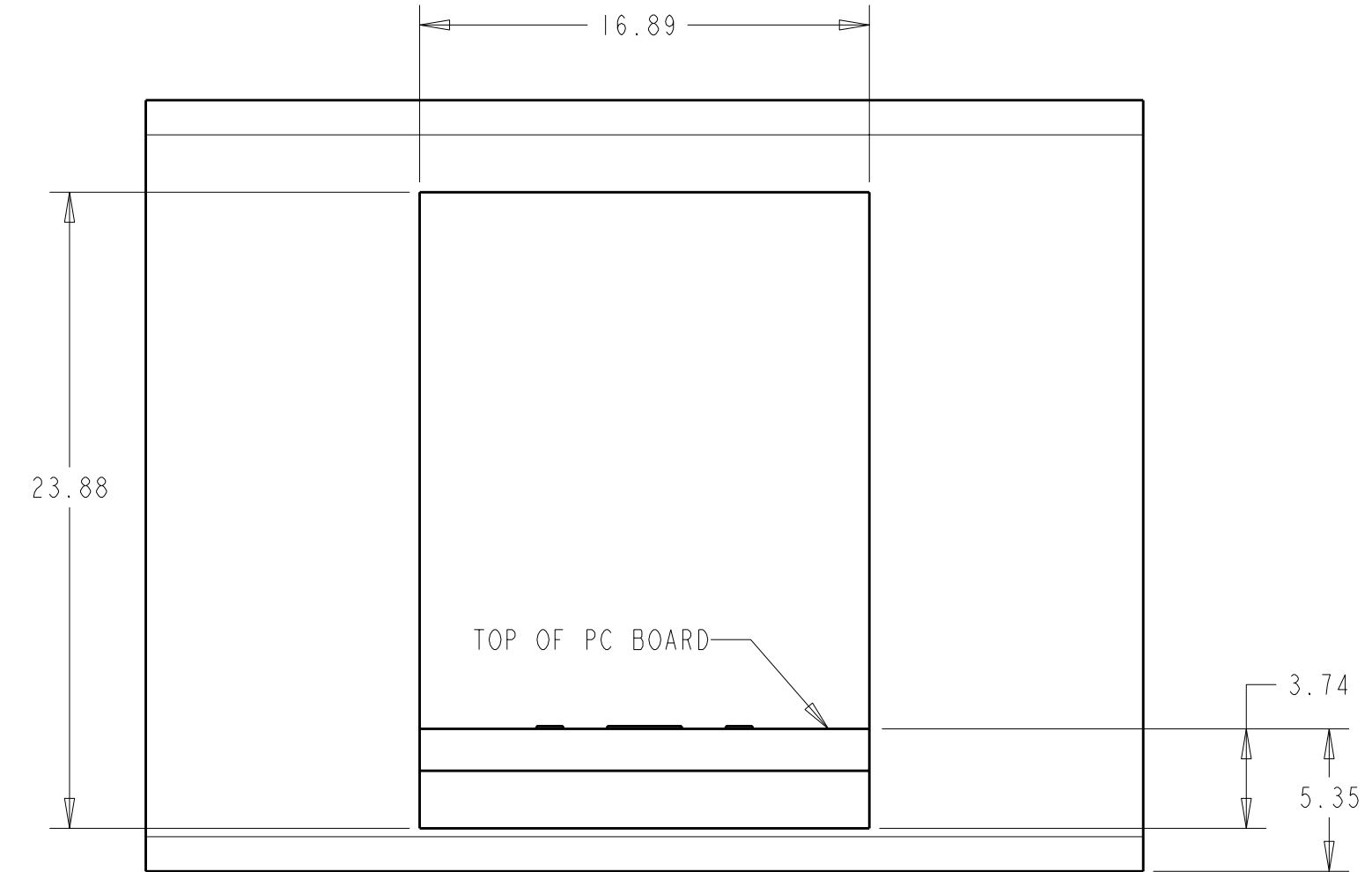
STE TE Connectivity

LOC	DIST	REV	DATE	BY	APPD
AA	00				

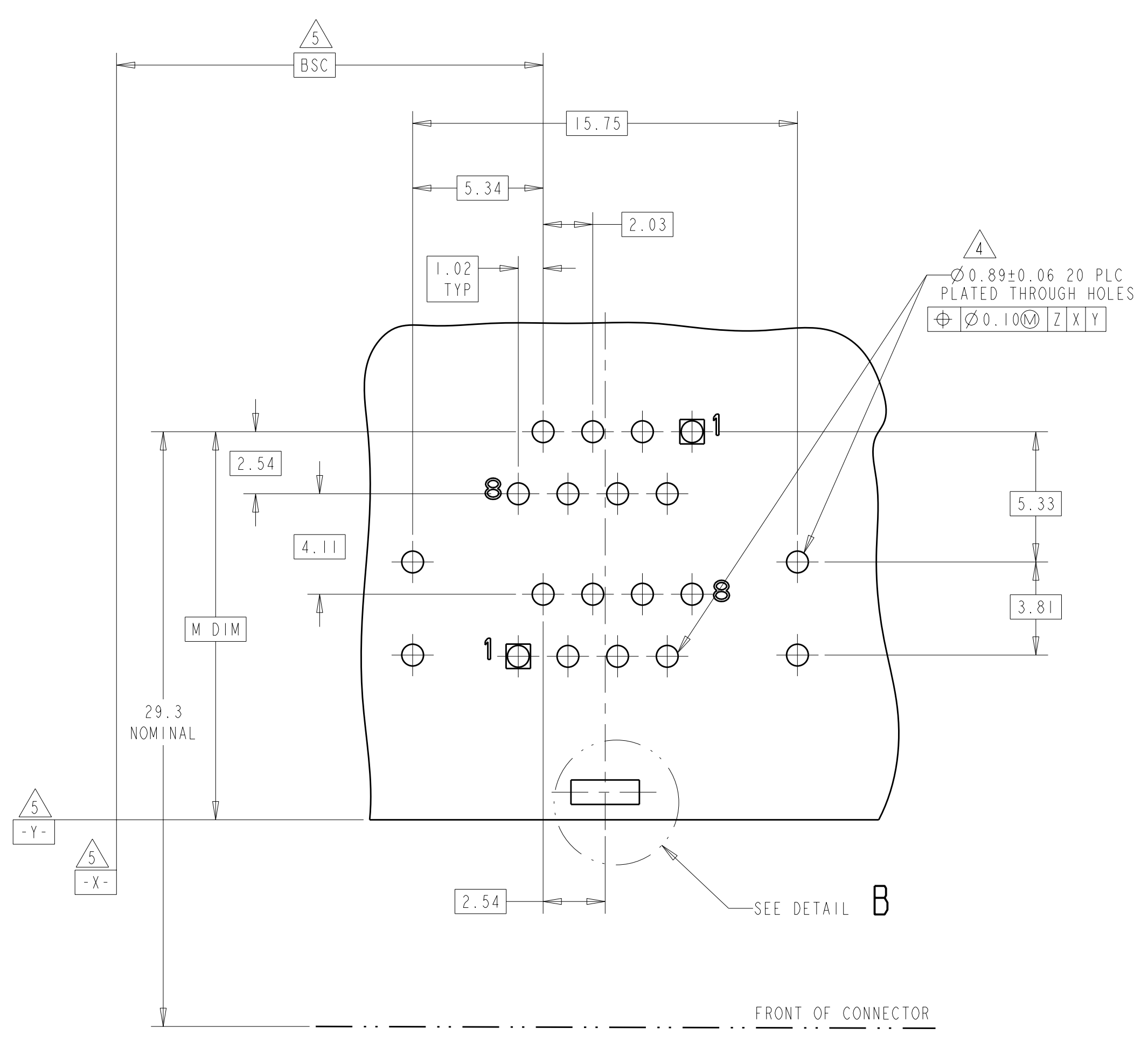
REVISIONS					
REV	DATE	DESCRIPTION	BY	APPD	REV
-	-	SEE SHEET 1	-	-	-



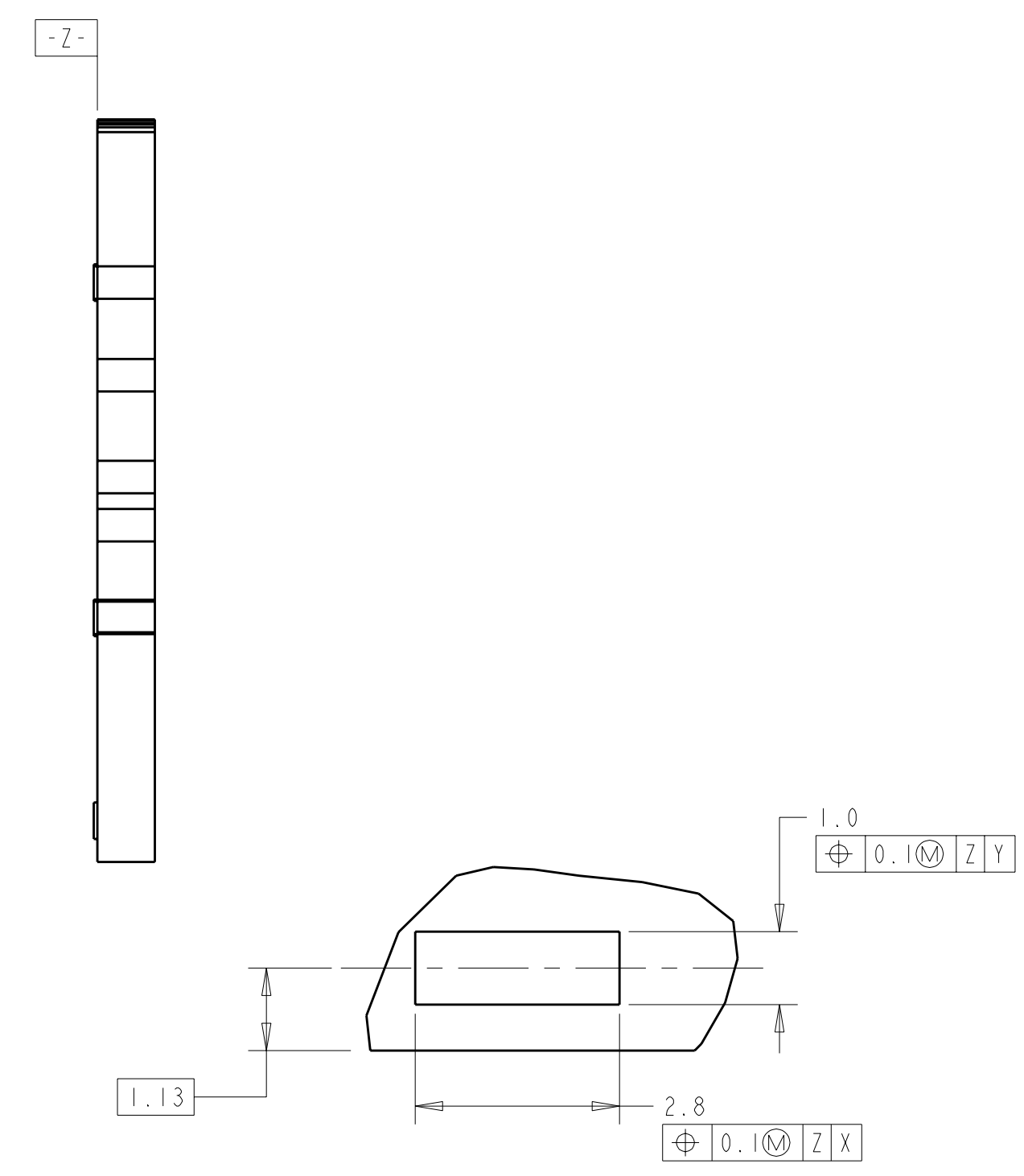
ATCA PANEL AND
PRINTED CIRCUIT BOARD LAYOUT



AMC PANEL AND
PRINTED CIRCUIT BOARD LAYOUT



FRONT OF CONNECTOR



DETAIL B
SCALE 12:1
PLATED PADS REQUIRED FOR
1888652-2 (PRODUCT WITH
GROUNDING CLIPS)

THIS DRAWING IS A CONTROLLED DOCUMENT.		DWN: L. A. MAYER 16OCT2006	STE TE Connectivity
DIMENSIONS: mm		CHK: J. WESTMAN 16OCT2006	
TOLERANCES UNLESS OTHERWISE SPECIFIED:		APVD: S. FLICKINGER 16OCT2006	NAME: STACKED MOD JACK ASSEMBLY, 2 X 1, 2 POSN, RJ45, SHIELDED, PANEL GROUND, OFFSET, CAT 5
9 PLC ±		PRODUCT SPEC: 108-1854	
1 PLC ±0.13		APPLICATION SPEC: 114-2160	SIZE: A1
5 PLC ±		WEIGHT: -	CAGE CODE: 00779
4 PLC ±		FINISH: #1	DRAWING NO: C-1888652
ANGLES ±1°		CUSTOMER DRAWING	
MATERIAL: SEE NOTE 1		SCALE: 4:1 SHEET: 2 OF 2 REV: C2	

单击下面可查看定价，库存，交付和生命周期等信息

[>>TE Connectivity\(泰科\)](#)