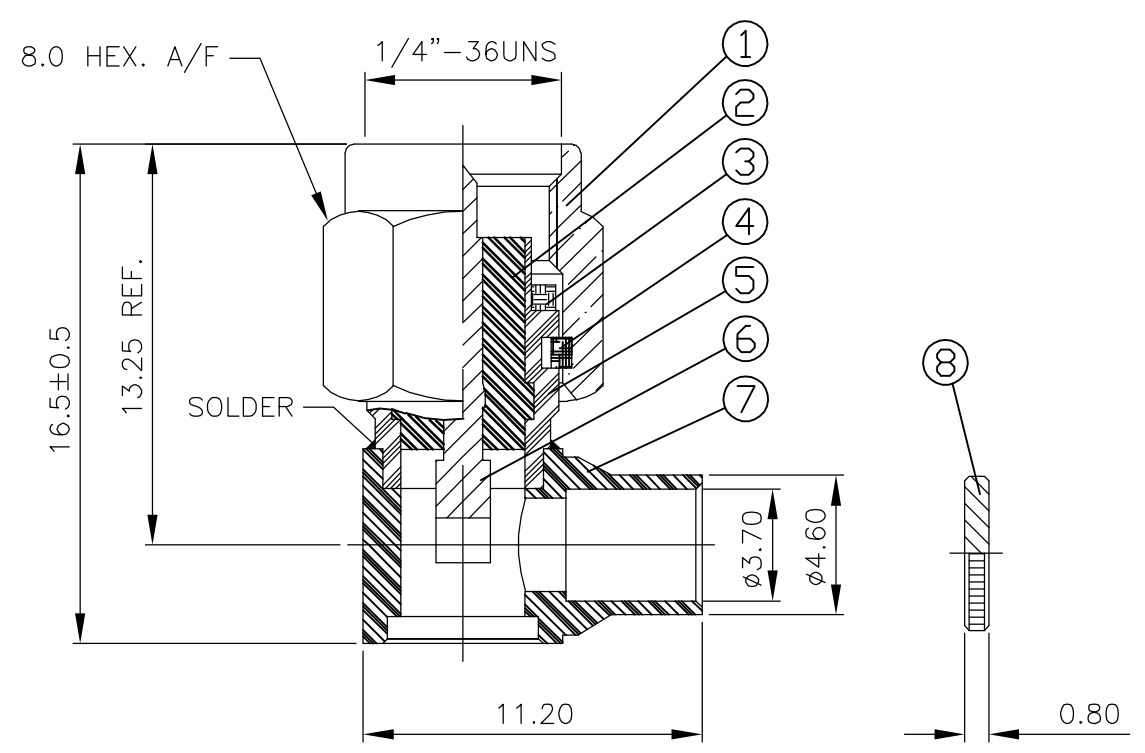
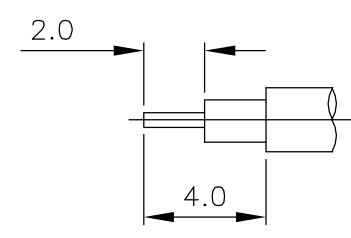


THIS DRAWING IS UNPUBLISHED. RELEASED FOR PUBLICATION APRIL, 2004.
 © COPYRIGHT 2004 BY TYCO ELECTRONICS CORPORATION. ALL RIGHTS RESERVED.

LOC	DIST	REVISIONS			
P	LTR	DESCRIPTION	DATE	DWN	APVD
E	B	A	EBD0-0035-03	09FEB04	RS FWK

- NOTES:
- 1 SINGLE PACK IN ACCORDANCE WITH SPEC 107-3275
 - 2 100 TRAY PACK IN ACCORDANCE WITH SPEC 107-3275
 - 3 0.08µm Au PLATING OVER 1.27µm Ni PLATING
 - 4 0.08µm Au PLATING OVER 1.27µm Ni PLATING OVER 0.76µm Cu PLATING
 - 5 0.76µm Au PLATING OVER 1.27µm Ni PLATING OVER 0.76µm Cu PLATING
 - 6 PASSIVATED (GOLD PLATED CABLE ENTRY)
 - 7 FOR TECHNICAL DATA REFER TO YOUR LOCAL TYCO ELECTRONICS SALES OFFICE
 - 8 ALL DIMENSIONS ARE NOMINAL FOR REFERENCE ONLY UNLESS OTHERWISE STATED

RECOMMENDED
CABLE STRIPPING DIM'S



1	1	-	-	-	-	BRASS	4	CAP	8
-	-	1	1	-	-	STAINLESS STEEL	6	CAP	8
-	-	-	-	1	1	STAINLESS STEEL	3	CAP	8
1	1	-	-	-	-	BRASS	4	CHASSIS	7
-	-	1	1	-	-	STAINLESS STEEL	6	CHASSIS	7
-	-	-	-	1	1	STAINLESS STEEL	3	CHASSIS	7
1	1	1	1	1	1	BRASS	5	CENTER CONTACT	6
1	1	-	-	-	-	BRASS	4	BODY	5
-	-	1	1	-	-	STAINLESS STEEL	6	BODY	5
-	-	-	-	1	1	STAINLESS STEEL	3	BODY	5
1	1	1	1	1	1	STAINLESS STEEL		CIRCLIP	4
1	1	1	1	1	1	SILICON		GASKET	3
1	1	1	1	1	1	PTFE		INSULATOR	2
1	1	-	-	-	-	BRASS	4	SHELL	1
-	-	1	1	-	-	STAINLESS STEEL	6	SHELL	1
-	-	-	-	1	1	STAINLESS STEEL	3	SHELL	1
3--1	3--0	2--1	2--0	1--1	1--0	MATERIAL		DESCRIPTION	ITEM
2	1	2	1	2	1				

THIS DRAWING IS A CONTROLLED DOCUMENT.		DWN R.SMITH 09FEB04	Tyco Electronics Corporation Bideford, UK, EX39 4HE	
DIMENSIONS: mm		CHK S.PARLOW 09FEB04		
TOLERANCES UNLESS OTHERWISE SPECIFIED:		APVD F.WHEELER-KING 09FEB04	NAME SMA RIGHT ANGLE PLUG DIRECT SOLDER CAPTIVE CONTACT RG402/U	
0 PLC ± -		PRODUCT SPEC 108-3460	SIZE A3	
1 PLC ± -		APPLICATION SPEC 411-3276	CAGE CODE 00779	
2 PLC ± -		WEIGHT -	DRAWING NO C-1478905	
3 PLC ± -		MATERIAL SEE TABLE	RESTRICTED TO -	
4 PLC ± -			SCALE 1:1	
ANGLES ± -		CUSTOMER DRAWING		SHEET 1 OF 1
FINISH -		REV A		

单击下面可查看定价，库存，交付和生命周期等信息

[>>TE Connectivity\(泰科\)](#)