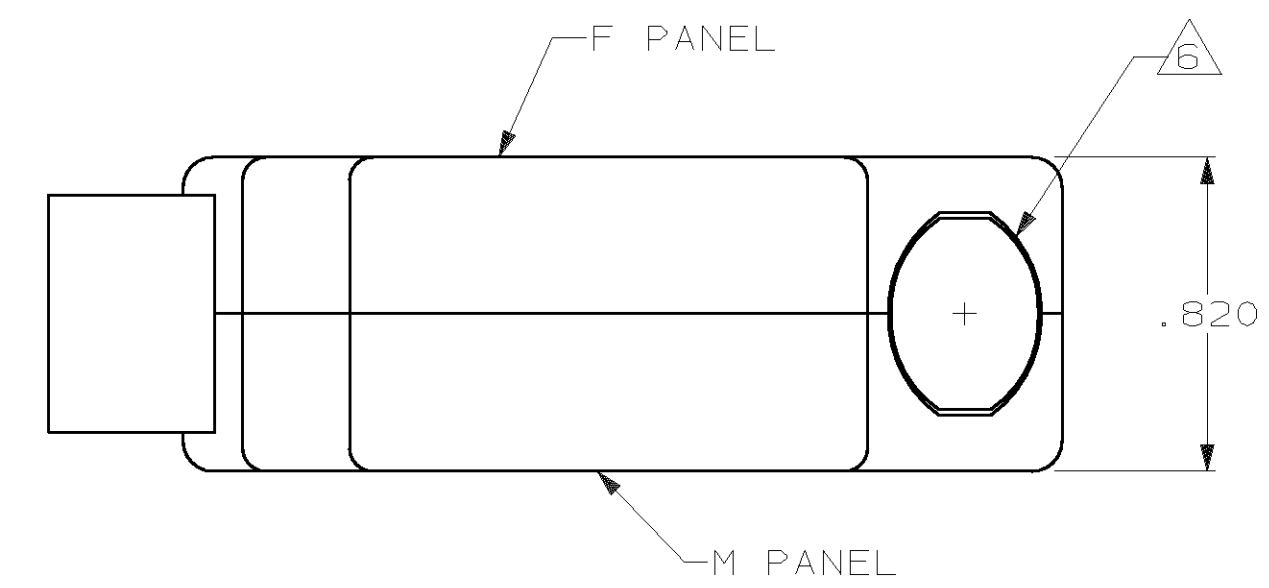
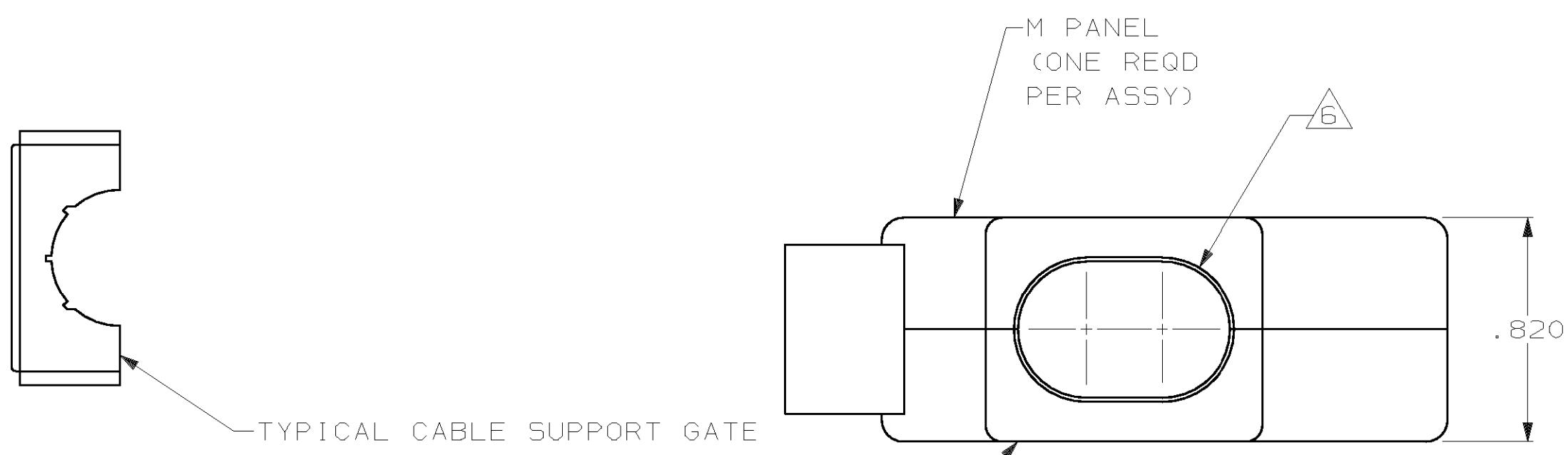
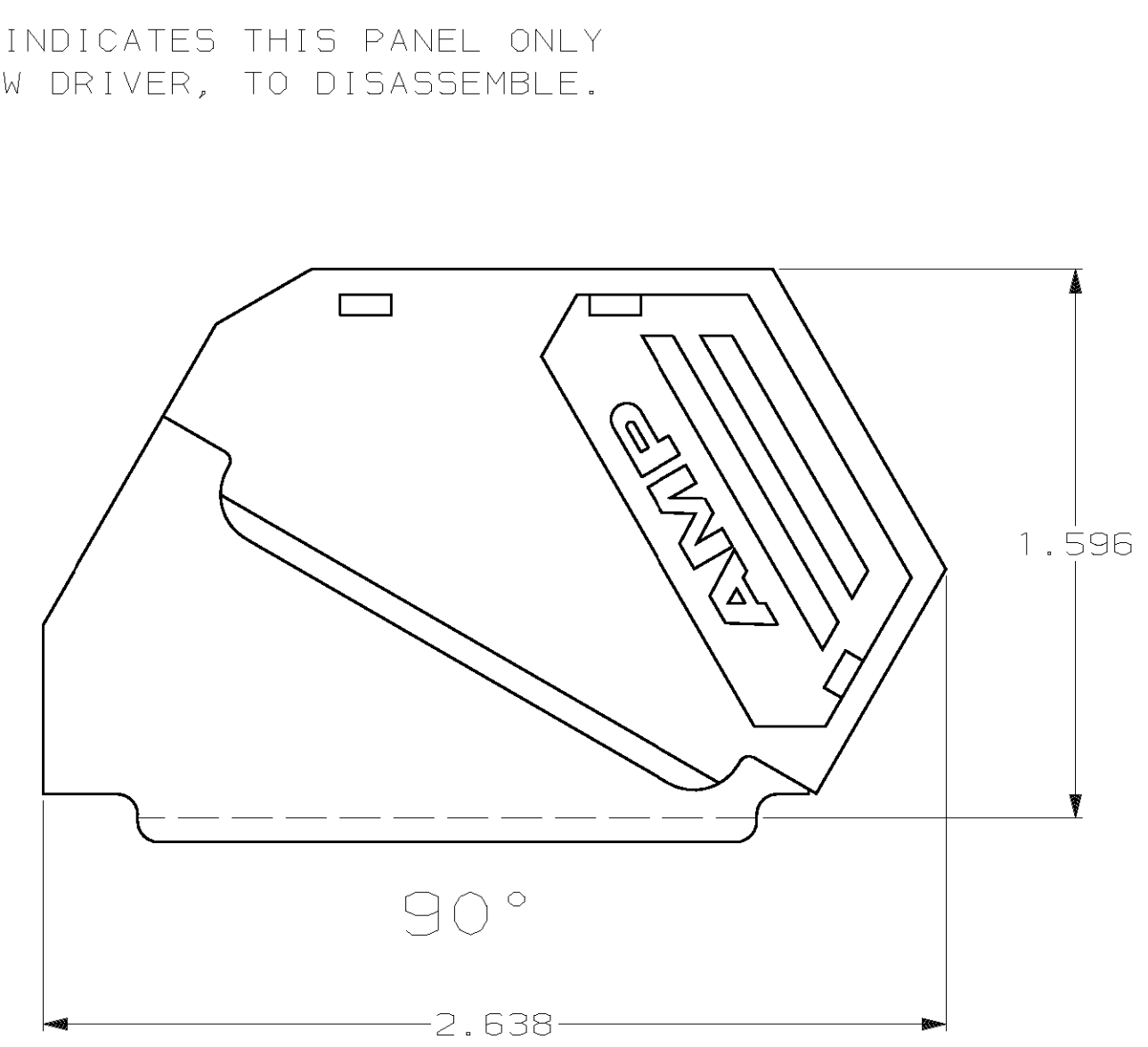
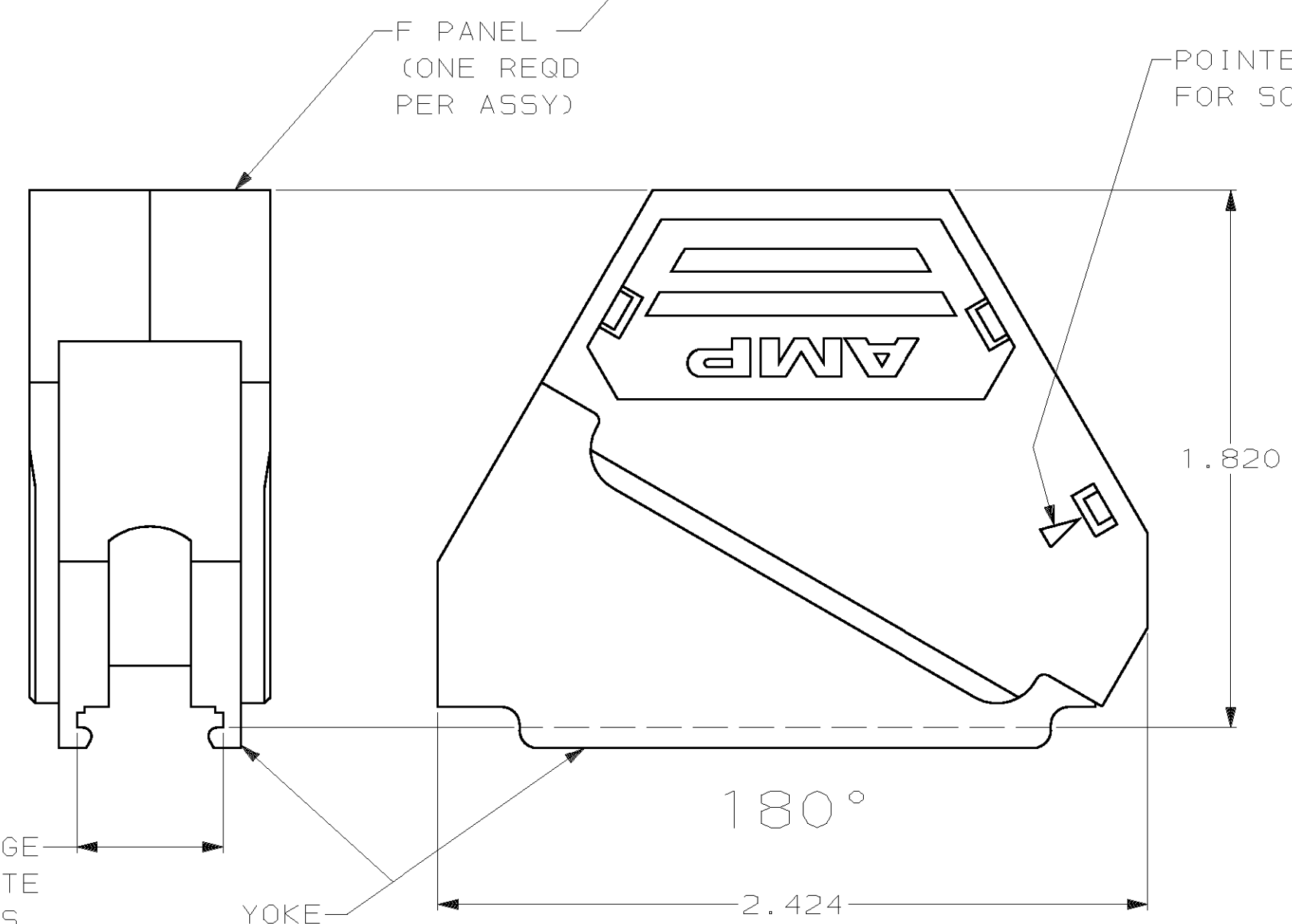
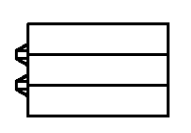


THIS DRAWING IS UNPUBLISHED. RELEASED FOR PUBLICATION
 © COPYRIGHT 19 BY AMP INCORPORATED. ALL INTERNATIONAL RIGHTS RESERVED.

LOC		DIST		P		F		ZONE		LTR		REVISIONS		
BD		0										DESCRIPTION		
												DATE		
												APPD		
										B		REDRAWN ON CAD	5-11-90	-
										C		REV PER EC 0020-285-92	07/20/93	JM
										D		OBS -2 PER EC 0U1D-0245-00	05 FEB 01	DK



TYPICAL CABLE SUPPORT GATE
 (ASSORTMENT SUPPLIED WITH
 CABLE CLAMP ASSEMBLIES).



POINTER INDICATES THIS PANEL ONLY
 FOR SCREW DRIVER, TO DISASSEMBLE.

SLOT FOR FLANGE
 OF AMPLIMITE
 TYPE CONNECTORS.

YOKE
 (ONE REQD
 PER ASSY)

OBSOLETE	4	745311-2
	1 2 3	745311-1
	PACKAGING	PART NUMBER

- 1 ALL PARTS PACKAGED UNASSEMBLED.
- 2 SAME PARTS CAN BE ASSEMBLED IN EITHER 180° OR 90° CONFIGURATION, AS SHOWN.
- 3 KIT CONSISTING OF FOUR INDIVIDUAL PARTS, AS SHOWN.
- 4 EACH PART IS INDIVIDUALLY BULK PACKED FOR MULTIPLE KIT ORDERS.
- 5. PARTS ASSEMBLE WITHOUT HARDWARE.
- 6 CLAMP ACCOMMODATES DISCRETE WIRES OR JACKETED CABLE UP TO .750 INCH DIAMETER.

DO NOT SCALE PRINT. UNLESS SPECIFIED DIMENSIONS IN INCHES TOLERANCES ON :		DR 5-11-90 J GALLUCCI BG		AMP INCORPORATED Harrisburg, Pa. 17105	
2 PLC DEC ± -		CHK 6-15-90 W.G.LENKER			
3 PLC DEC ± .015		APPD 7-9-90 J.E.WEST		NAME	
ANGLES ± -		APPD 7-16-90 J.ASSINI		KIT, CABLE CLAMP ASSY, SIZE 4, AMPLIMITE™	
MATERIAL		PRODUCT SPEC		SIZE	
BLACK THERMOPLASTIC		-		FSCM NO	
FINISH		APPLICATION SPEC		DRAWING NO	
-		-		C 00779	
WEIGHT		-		SCALE	
-		-		2:1	
				SHEET	
				745311	
				1 OF 1	

单击下面可查看定价，库存，交付和生命周期等信息

[>>TE Connectivity\(泰科\)](#)