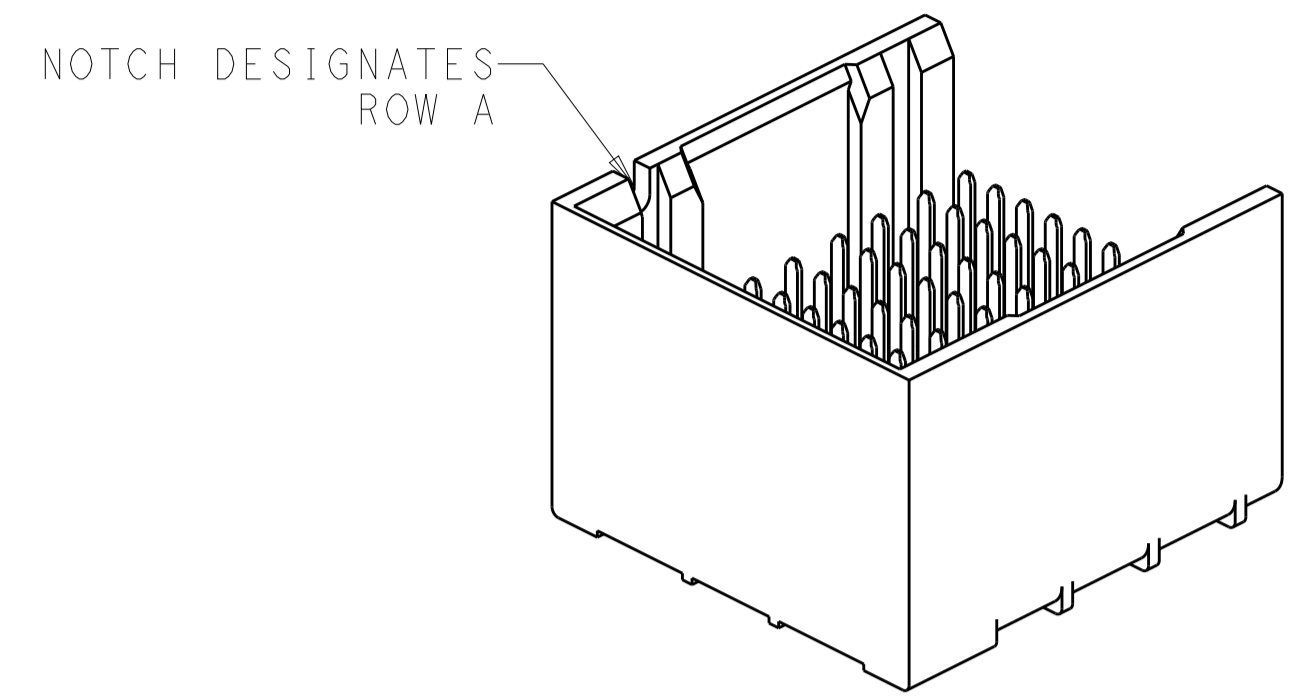
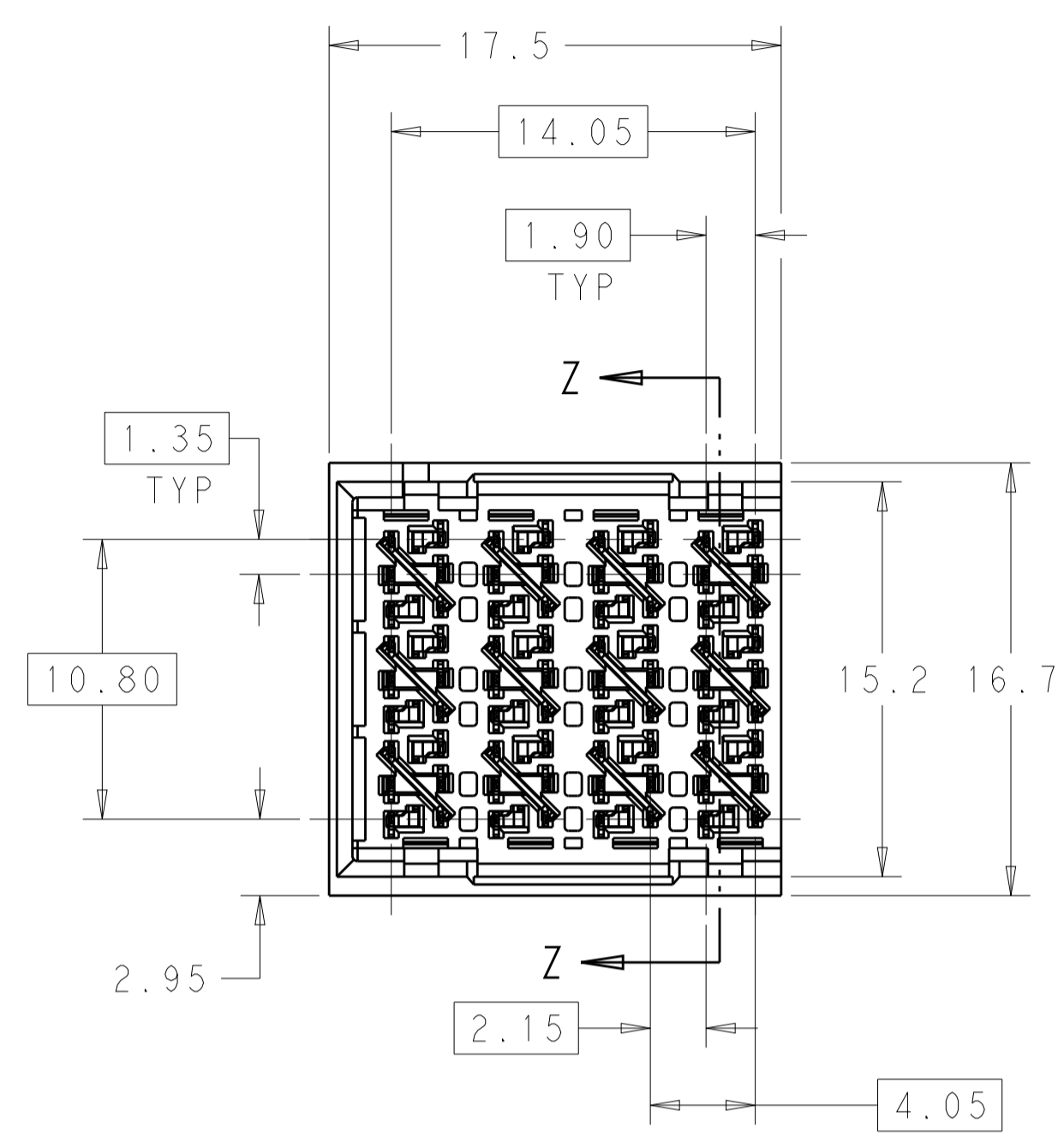
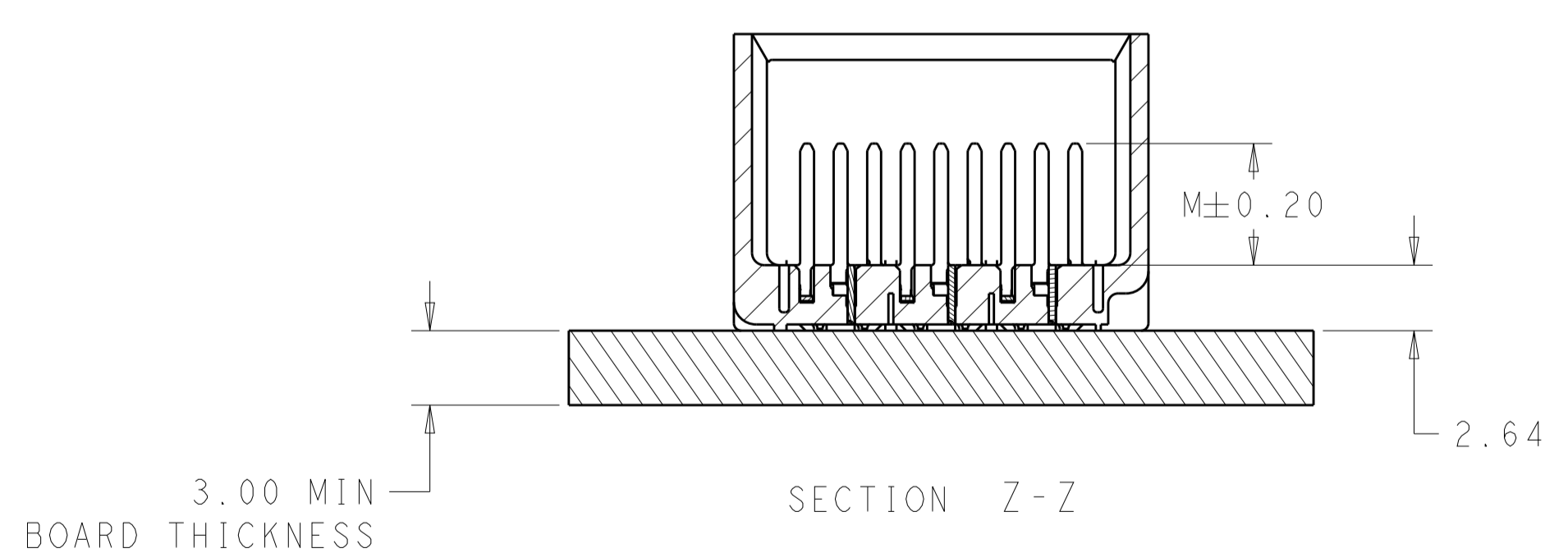
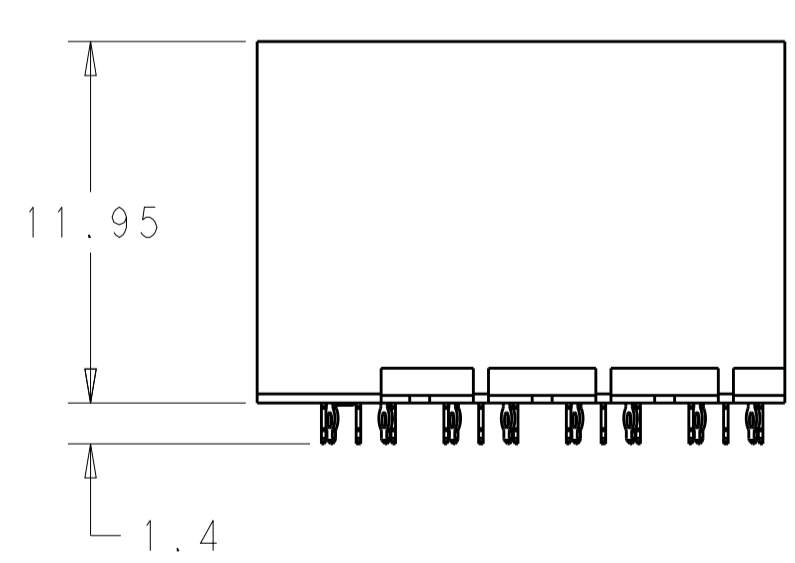
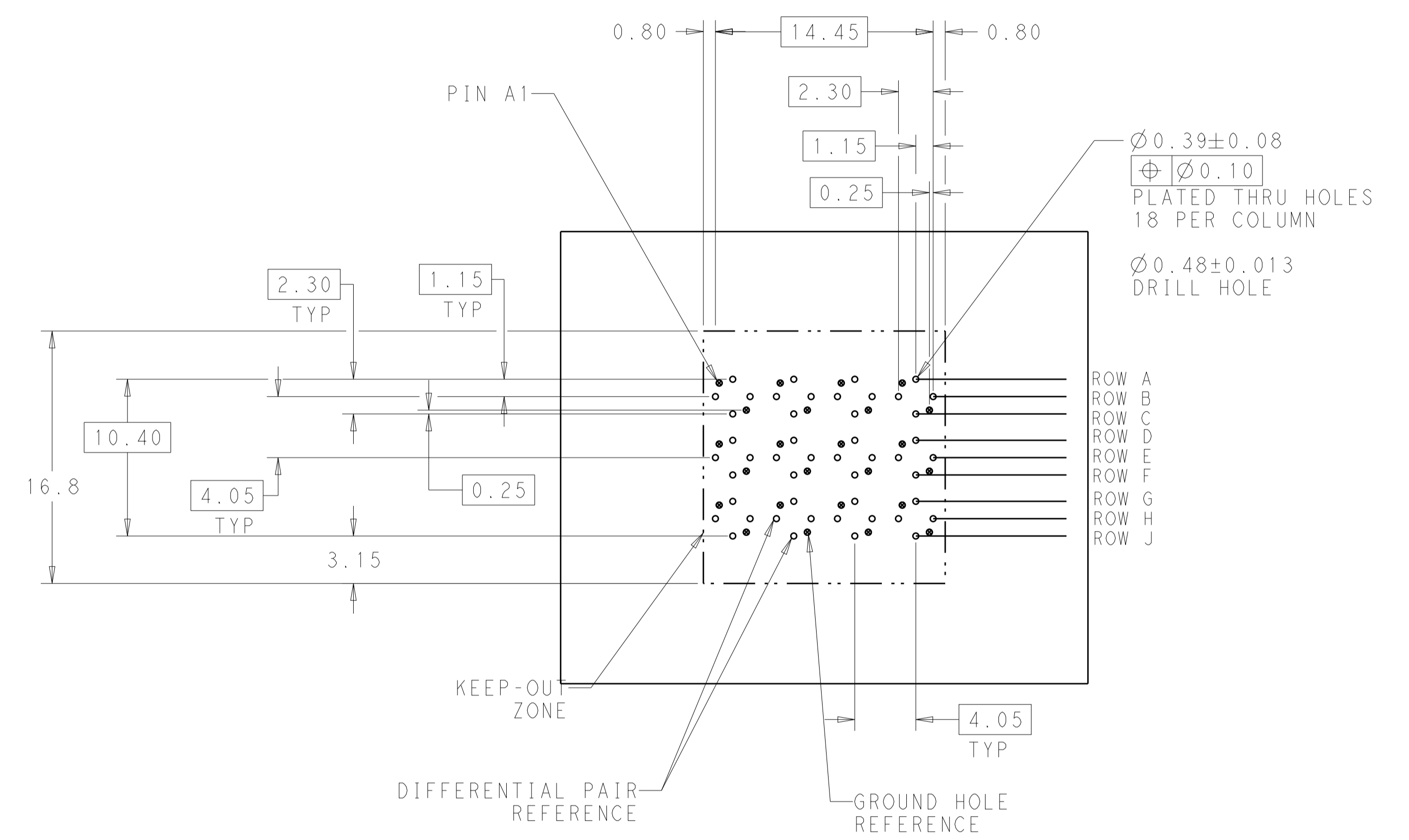


REVISIONS				
P.	LTN.	DESCRIPTION	DATE	APVD.
C1		REVISED PER ECO-15-001489	31JAN2014	AP DD



△ MATERIAL:
HOUSING: LCP GLASS FILLED UL94V-0
TERMINALS: HIGH PERFORMANCE COPPER ALLOY

△ FINISH:
30μ" MIN GOLD IN CONTACT AREA
SELECTIVE TIN ON PCB TAILS.
NICKEL OVERALL.



LEFT GUIDED
BACKPLANE HOLE PATTERN
(CONNECTOR SIDE)
SCALE 4:1

REFER TO WWW.TE.COM
FOR PRODUCT AVAILABILITY

△	5.5	2132582-2
△	4.9	2132582-1
FINISH	DIM M	PART NUMBER

THIS DRAWING IS A CONTROLLED DOCUMENT.		DWN J.K. SHOBER 24AUG2010	TE Connectivity	
DIMENSIONS: mm		CHK -	NAME IMPACT, 3 PAIR, 8 COLUMN, UNGUIDED LEFT END WALL ASSEMBLY, ORTHOGONAL, 0.39 PTH	
TOLERANCES UNLESS OTHERWISE SPECIFIED:		APVD J. FARY 24AUG2010	PRODUCT SPEC	
0 PLC ±		APPLICATION SPEC		
1 PLC ±0.25		SIZE CAGE CODE DRAWING NO		
2 PLC ±0.13		RESTRICTED TO		
3 PLC ±		A100779C=2132582		
4 PLC ±		SCALE 4:1 SHEET 1 OF 1 REV C1		
ANGLES ±		Customer Drawing		
FINISH SEE TABLE		Customer Drawing		

单击下面可查看定价，库存，交付和生命周期等信息

[>>TE Connectivity\(泰科\)](#)