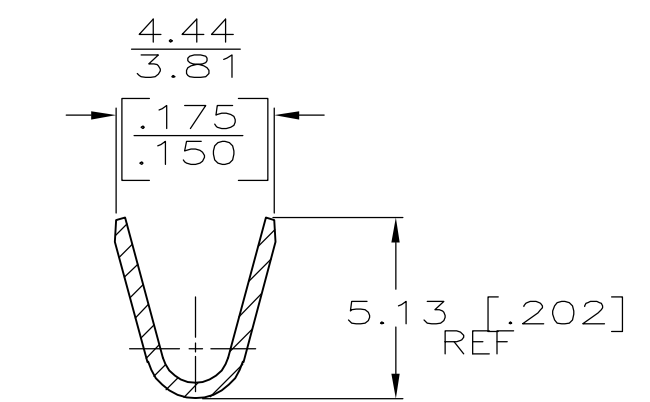
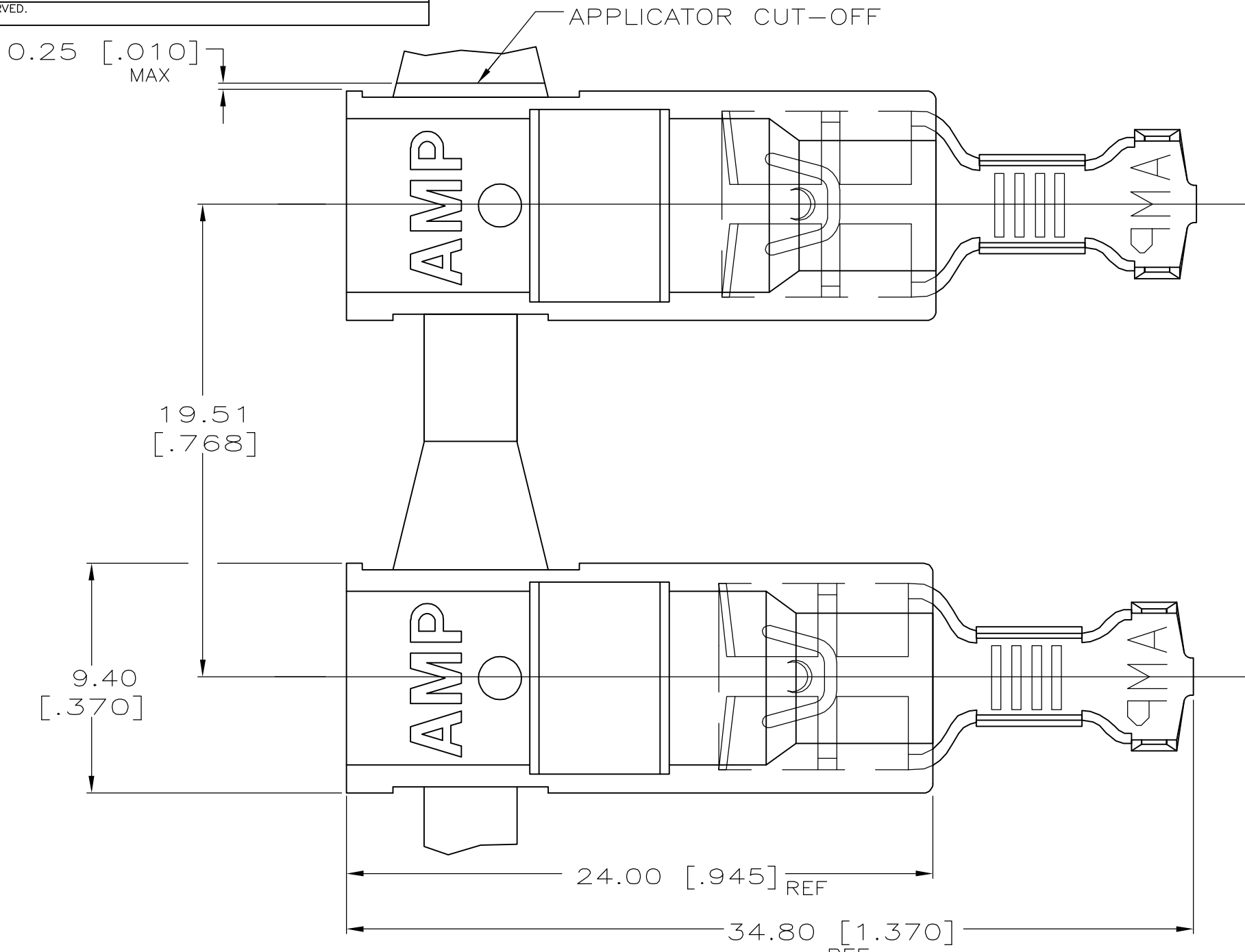
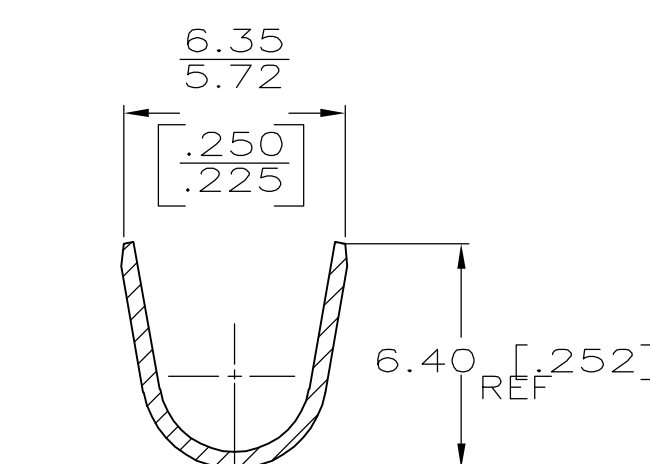
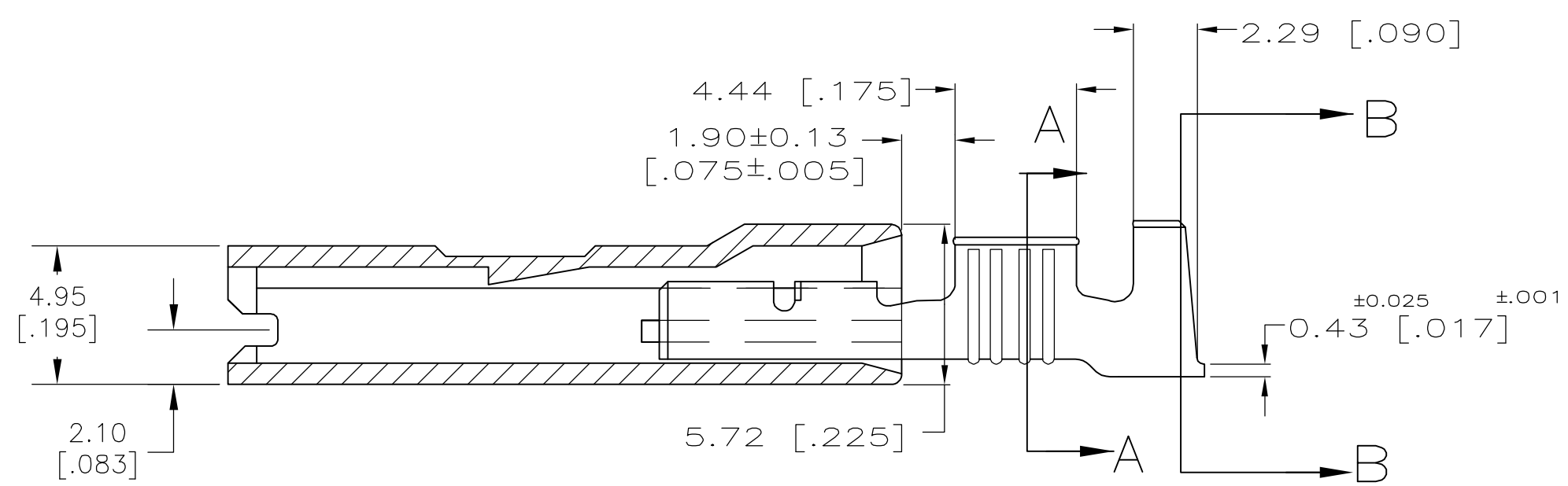


LOC	DIST	REVISIONS					
AF	50	P	LTR	DESCRIPTION	DATE	DWN	APVD
		A1		REVISED PER ECR-07-002861	09FEB07	HMR	GP



SECTION A-A



SECTION B-B

- 1 LOW-INSERTION FASTON TERMINALS, BASE P/N 63639, ARE USED IN THIS PRODUCT.
- 2 0.002032 [.000080] MIN TIN PER MIL-T-10727.
- 3 MATERIAL: HOUSING 4/6 NYLON
TERMINAL - 4M BRASS
- 4 FINISH: HOUSING - COLOR, BLACK
TERMINAL - SEE TABLE
- 5 PRELIMINARY - NOT FOR PRODUCTION

2 TIN PLATED	3.30-4.57 [.130-.180]	2.0-5.0 mm [14-10]	0.813 [.032]	521973-2
PLAIN				521973-1 5
TERMINAL FINISH	INSULATION RANGE	WIRE SIZE	MATING TAB THK ±0.025 [±.001]	PART NO.

THIS DRAWING IS A CONTROLLED DOCUMENT.

DWN G.PORTA	300CT06	tyco Electronics	Tyco Electronics Corporation Harrisburg, Pa 17105-3608	
CHK -	-		ASSEMBLY, RECEPTACLE, ULTRA-POD, 6.35 [.250] SERIES	
APVD -	-	NAME	RESTRICTED TO	
DIMENSIONS: mm [INCHES]		PRODUCT SPEC 108-1285	SIZE A2	CAGE CODE 00779
TOLERANCES UNLESS OTHERWISE SPECIFIED:		APPLICATION SPEC 114-2124	DRAWING NO G-521973	REV A1
0 PLC ± -	1 PLC ± -	WEIGHT -	SCALE 5:1 SHEET 1 OF 1	
2 PLC ± -	3 PLC ± 0.25 [.010]	CUSTOMER DRAWING		
4 PLC ± -	ANGLES ± -			
FINISH 3	FINISH 4			

单击下面可查看定价，库存，交付和生命周期等信息

[>>TE Connectivity\(泰科\)](#)