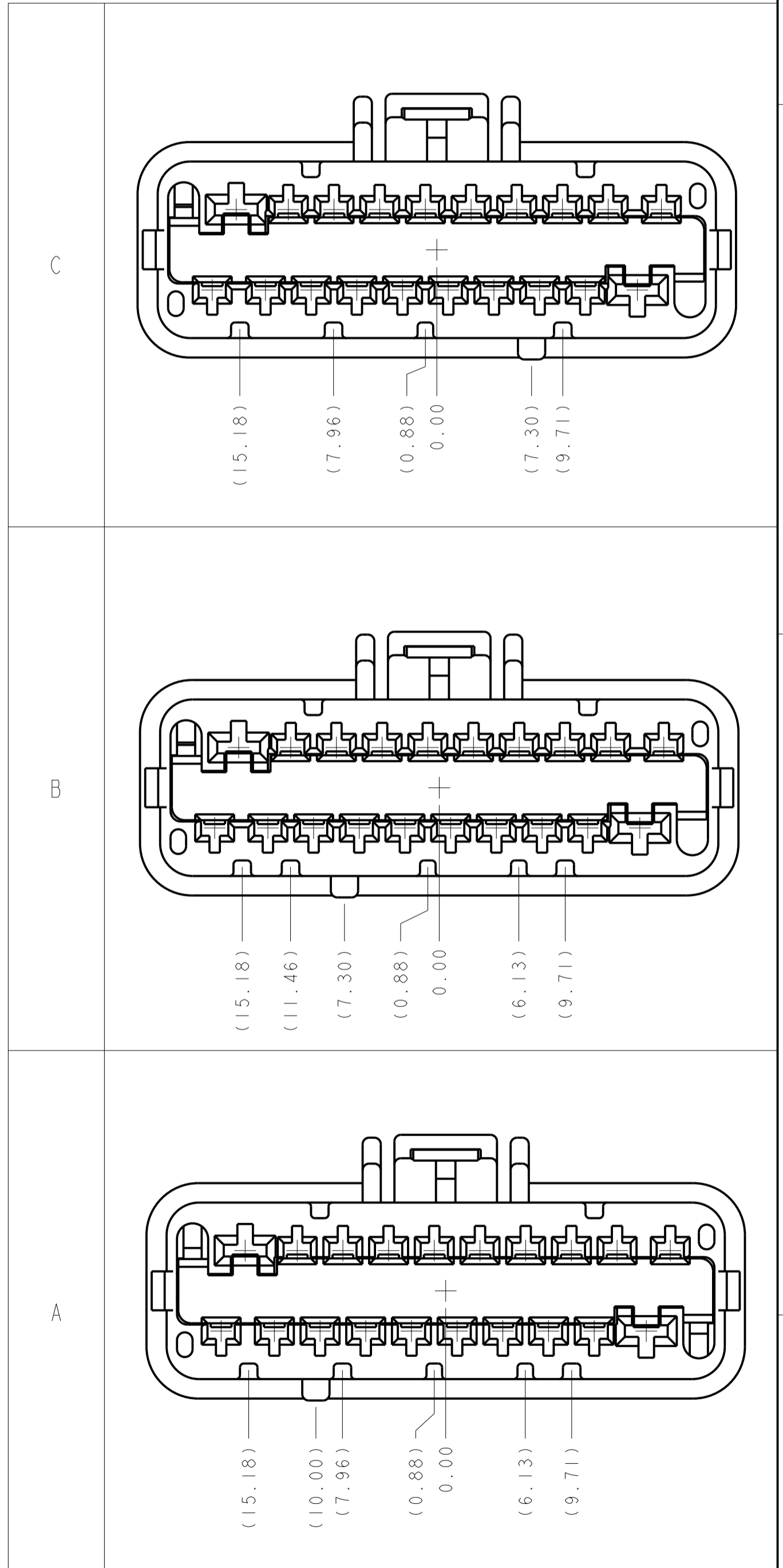
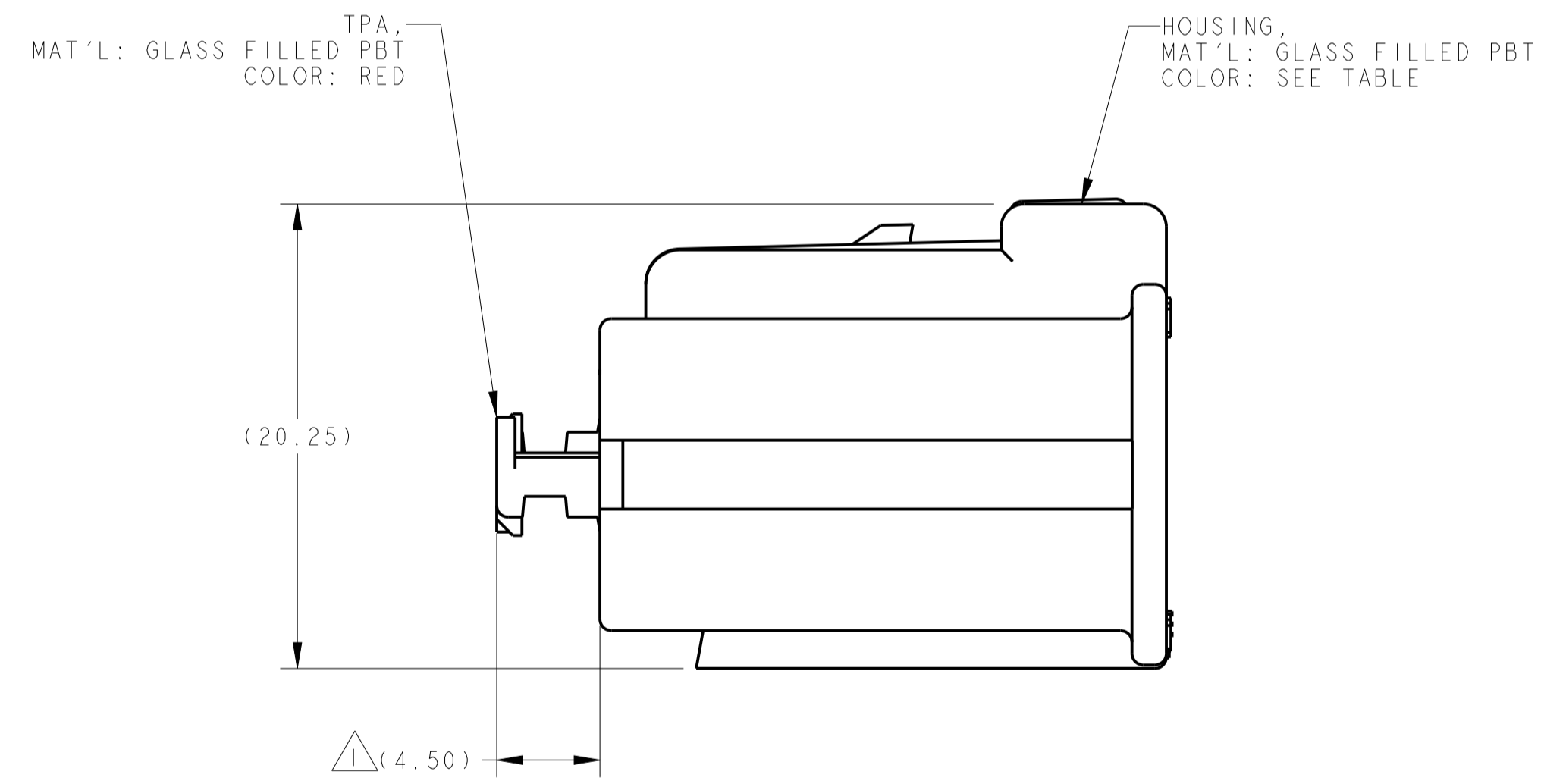
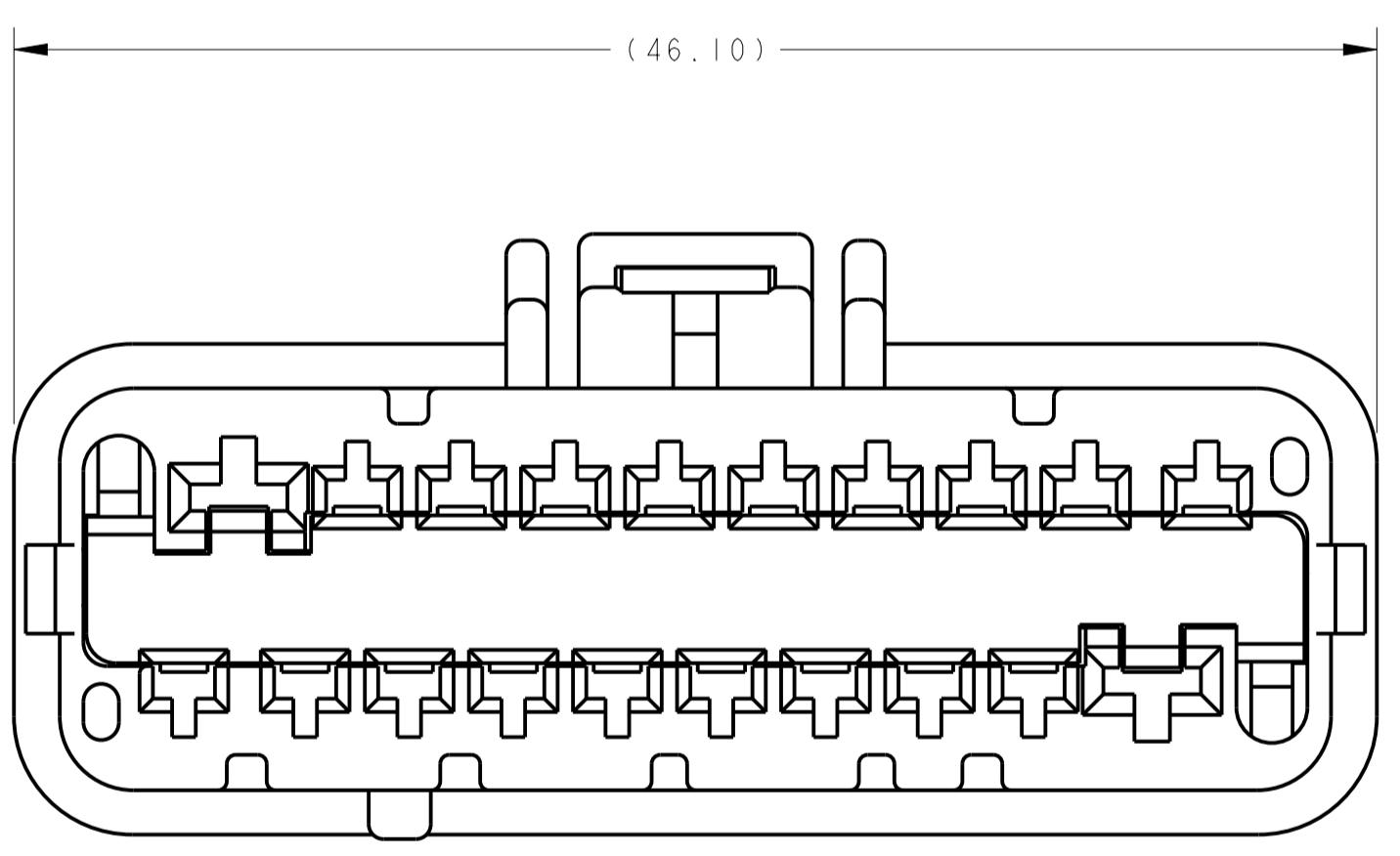
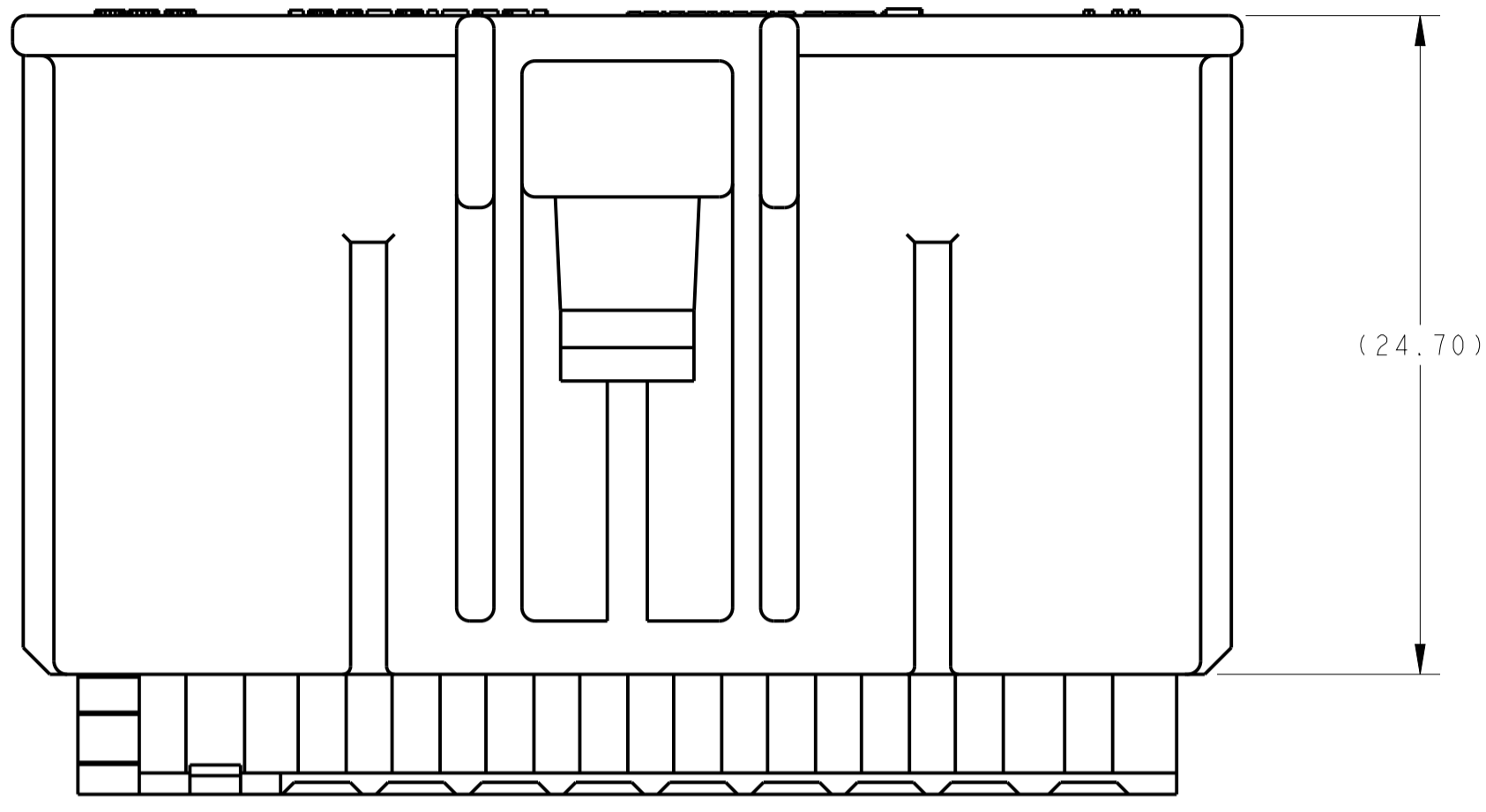


REVISIONS					
P.	LTN	DESCRIPTION	DATE	DWN	APVD
1		PROPOSED	27AUG2009	JRS	BSB
2		REVISED PER ECO-10-003257	16FEB2010	JRS	BSB
A		ECR-10-025922	20DEC2010	HM	BB
A1		ECR-14-007751	30MAY2014	VP	ML



- △ TPA SHIPPED IN STAGED POSITION.
- 2. THIS PLUG CONNECTOR MATES WITH CAP CONNECTOR, TYCO ELECTRONICS DRAWING NUMBER 2098380 AND IS INTENDED FOR CLASS 2 (105°C MAX) APPLICATIONS
- 3. SEE INSTRUCTION SHEET 408-10433.

CODE	ARRANGEMENTS
	KEYING

PART NUMBER	CODE	HOUSING COLOR
2098377-4	A	YELLOW
2098377-3	C	WHITE
2098377-2	B	GRAY
2098377-1	A	BLACK

THIS DRAWING IS A CONTROLLED DOCUMENT.

DIMENSIONS: mm

TOLERANCES UNLESS OTHERWISE SPECIFIED:

0 PLC	±
1 PLC	±
2 PLC	±
3 PLC	±
4 PLC	±
ANGLES	±

MATERIAL: SEE CALLOUT

FINISH: -

THIS DRAWING IS A CONTROLLED DOCUMENT. DWN: J.R. SHUEY 27AUG2009, CHK: B.S. BUCHTER 27AUG2009, APVD: -

NAME: PLUG, 20 POSITION HYBRID, UNSEALED 1.5/2.8

PRODUCT SPEC: -

APPLICATION SPEC: -

SIZE: A1, CAGE CODE: 100779, DRAWING NO: 2098377

RESTRICTED TO: -

WEIGHT: -

CUSTOMER DRAWING: -

SCALE: 4:1, SHEET: 1 OF 1, REV: A1

单击下面可查看定价，库存，交付和生命周期等信息

[>>TE Connectivity\(泰科\)](#)