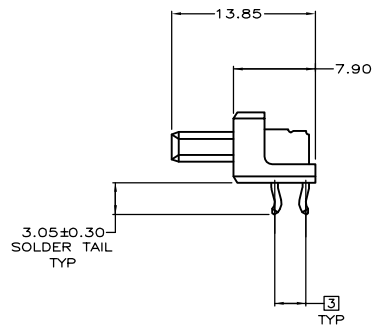
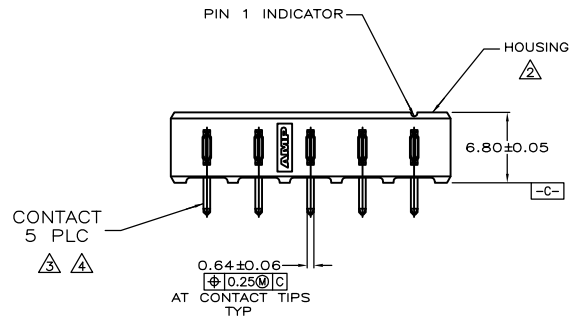
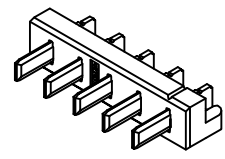
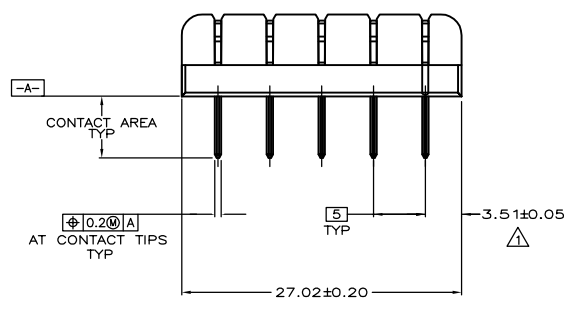
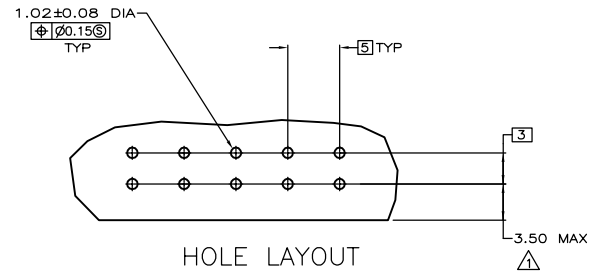


THIS DRAWING IS UNPUBLISHED. RELEASED FOR PUBLICATION
 © COPYRIGHT BY TYCO ELECTRONICS CORPORATION. ALL RIGHTS RESERVED.

LOC	DIST	REVISIONS					
ES	00	P	LTR	DESCRIPTION	DATE	DWN	APVD
		0		RELEASED	ECR-05-001438	30MAR05	J.Z I.E



- ① COORDINATE DIMENSION APPLIES FROM CENTER OF ACTUAL FEATURE.
- ② HOUSING: LCP, BLACK
- ③ 2.54um MIN TIN ON SOLDER TAIL OVER 1.90um MIN NICKEL ALL OVER.
- ④ CONTACTS: BRASS



5787443-1
 PART NO

THIS DRAWING IS A CONTROLLED DOCUMENT.		DWN	S.KLINE	03-28-95	tyco Electronics	Tyco Electronics Corporation Shanghai PRC		
DIMENSIONS: mm		CHK	S.KLINE	03-30-95		NAME HEADER ASSEMBLY, RIGHT ANGLE, KEYLESS, 5mm ϕ , 5 POSN, RETENTIVE SOLDER TAILS, BATTERY INTERCONNECT	SIZE	CAGE CODE
TOLERANCES UNLESS OTHERWISE SPECIFIED:		APVD	S.KLINE	03-30-95	108-1501		A3	00779
MATERIAL		PRODUCT SPEC		APPLICATION SPEC		RESTRICTED TO		
FINISH		114-24005		WEIGHT		SCALE		2:1
CUSTOMER DRAWING		SHEET		1 OF 1		REV		0

单击下面可查看定价，库存，交付和生命周期等信息

[>>TE Connectivity\(泰科\)](#)