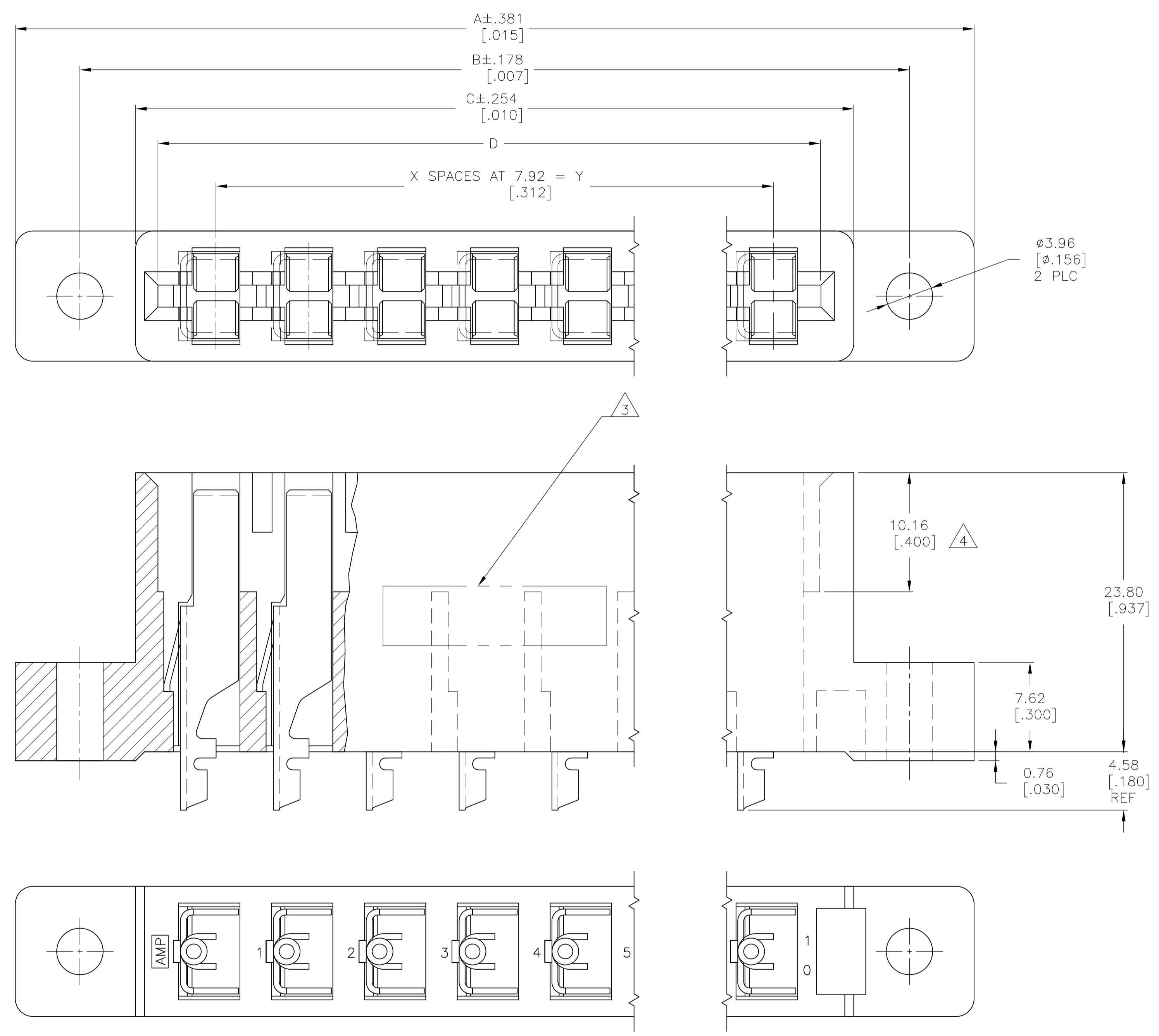
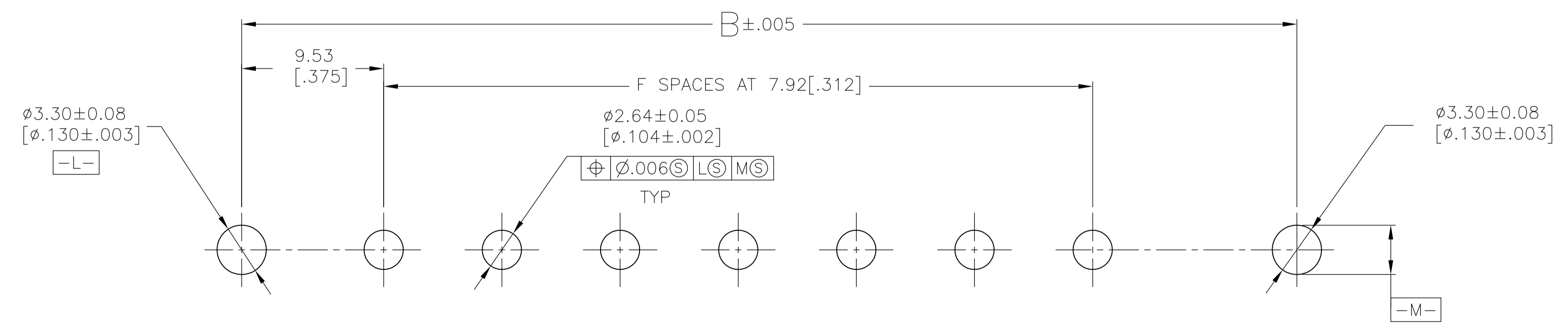
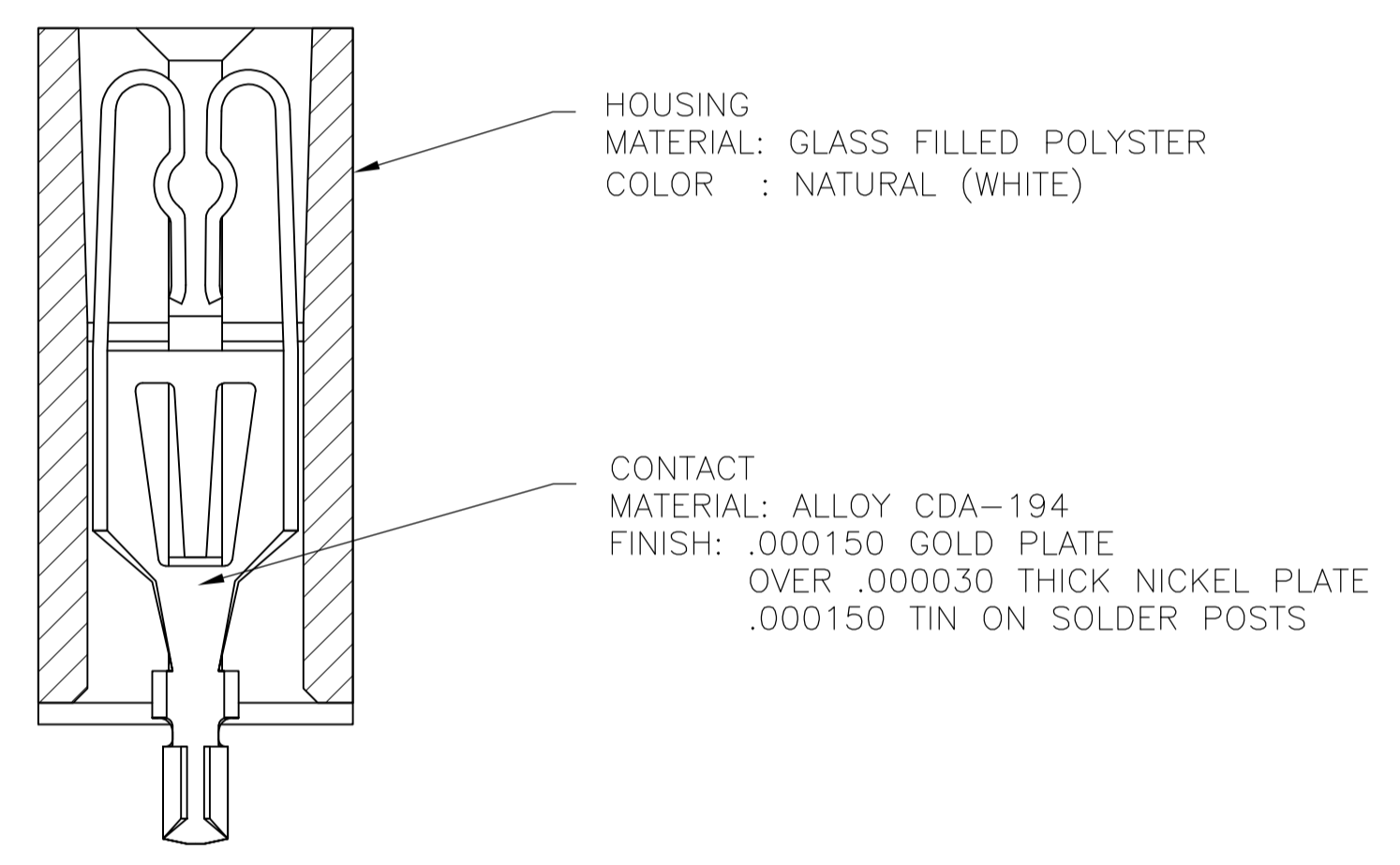


REVISIONS					
P	LTR	DESCRIPTION	DATE	DWN	APVD
K		REVISED PER ECO-16-006308	08AUG2016	NK	MM



- 1 A 1/16" THICK DUMMY PC BOARD SHOULD BE INSERTED DURING SOLDERING.
- 2 MEASURE ACROSS MOUNTING EARS. MAY GOTO .020 OVER NOMINAL AT TOP OF THE HOUSING.
- 3 VOID CORING OPTION.
- 4 MATTE TIN PLATED POST.



11	4.780	3.972	3.832	4.346	12	45-645200-3
11	4.780	3.972	3.832	4.346	12	645200-3
7	3.532	2.724	2.584	3.098	8	645200-2
5	2.908	2.100	1.960	2.474	6	645200-1
F	E	D	C	B	NO.OF POSN.	PART NUMBER

THIS DRAWING IS A CONTROLLED DOCUMENT.

DIN R BROWN 23OCT94
CHK C MOSHER 23OCT94
APVD C MOSHER 23OCT94

TE Connectivity

CONNECTOR ASSEMBLY, HIGH CURRENT (GOLD CONTACTS)

PRODUCT SPEC

APPLICATION SPEC

SIZE: A1
CAGE CODE: 00779
DRAWING NO: 645200

WEIGHT: 0

CUSTOMER DRAWING

SCALE: 4:1

SHEET 1 OF 1

REV K

单击下面可查看定价，库存，交付和生命周期等信息

[>>TE Connectivity\(泰科\)](#)