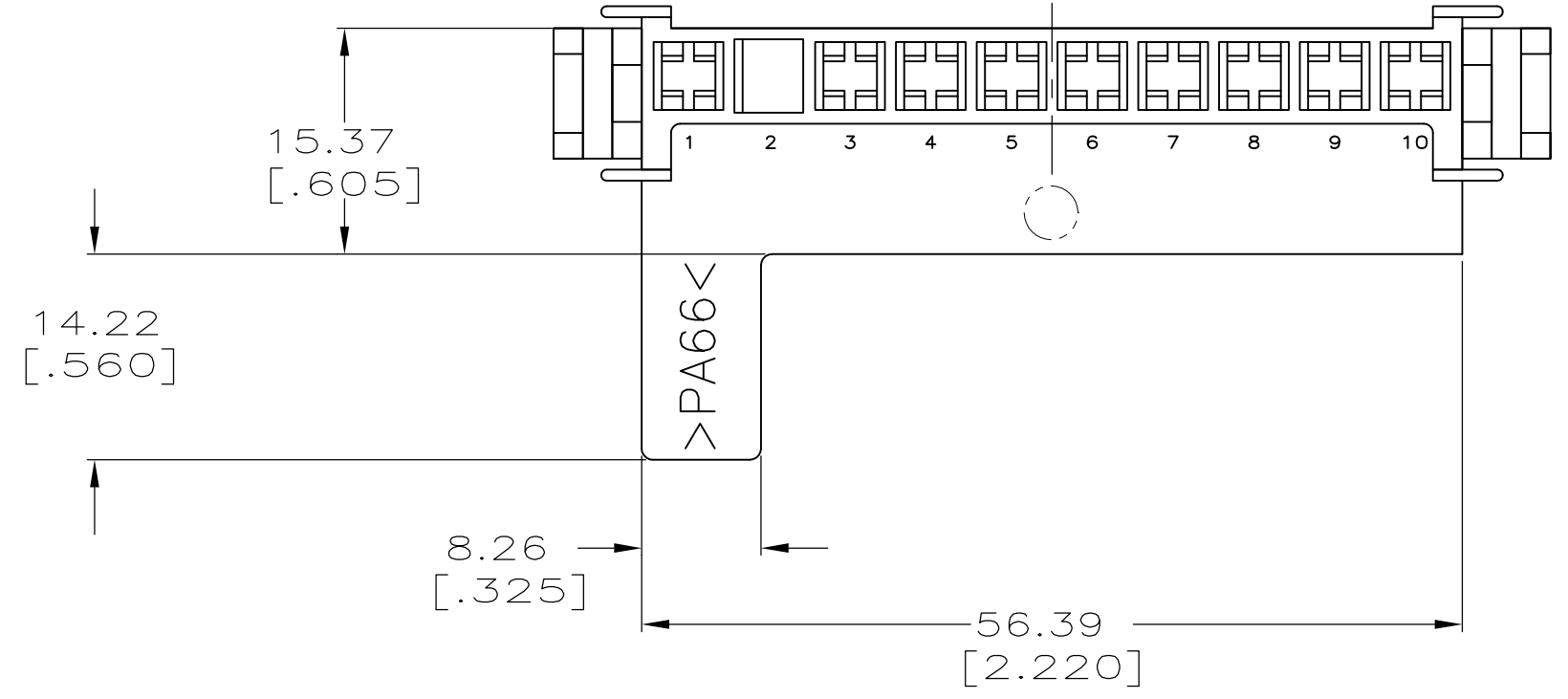
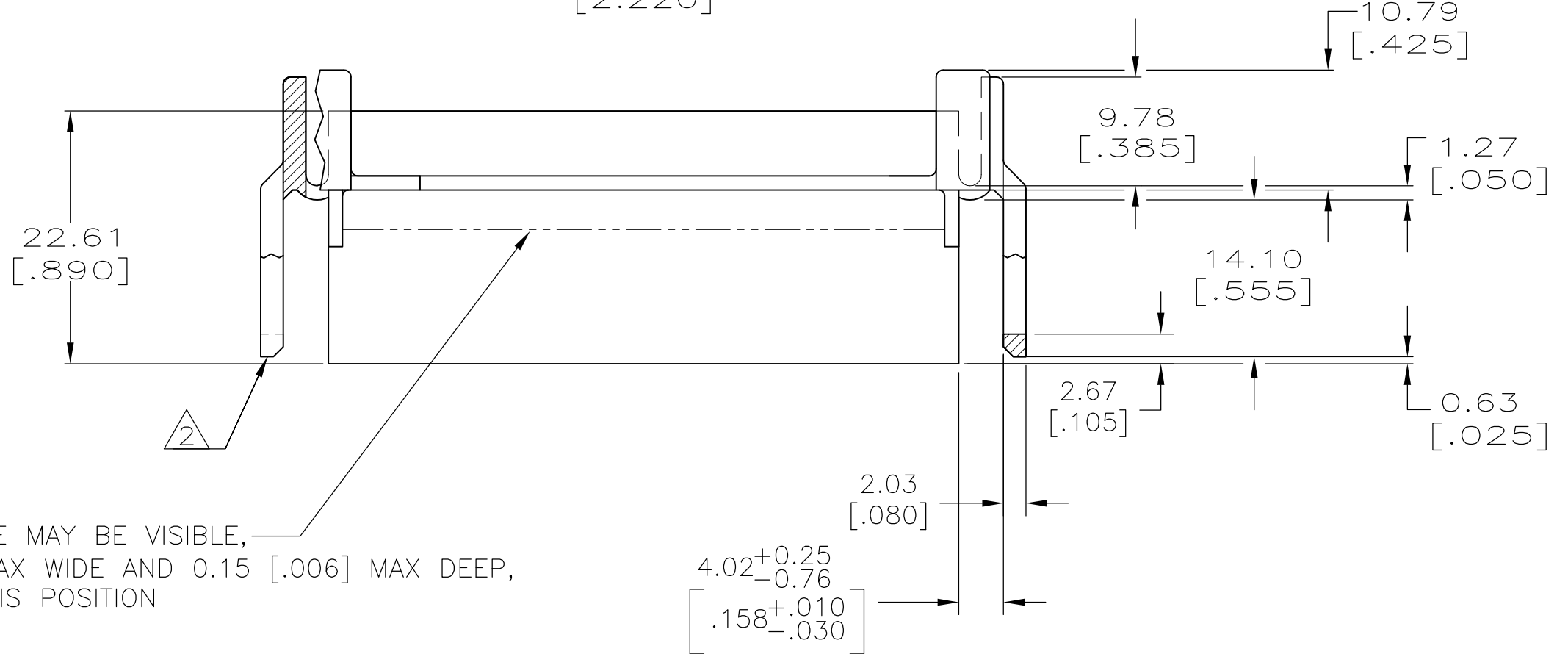


THIS DRAWING IS UNPUBLISHED. RELEASED FOR PUBLICATION
 © COPYRIGHT - By - ALL RIGHTS RESERVED.

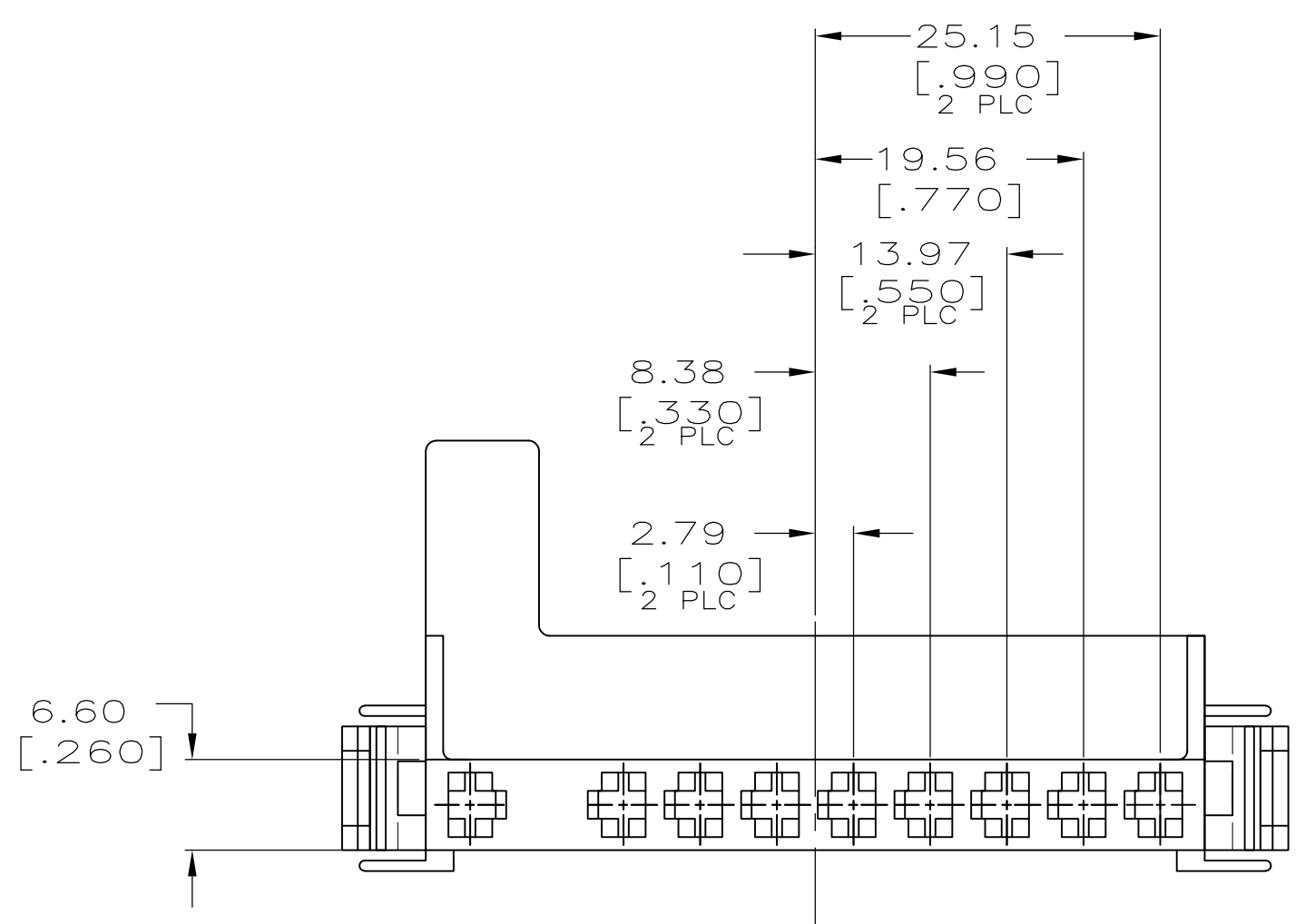
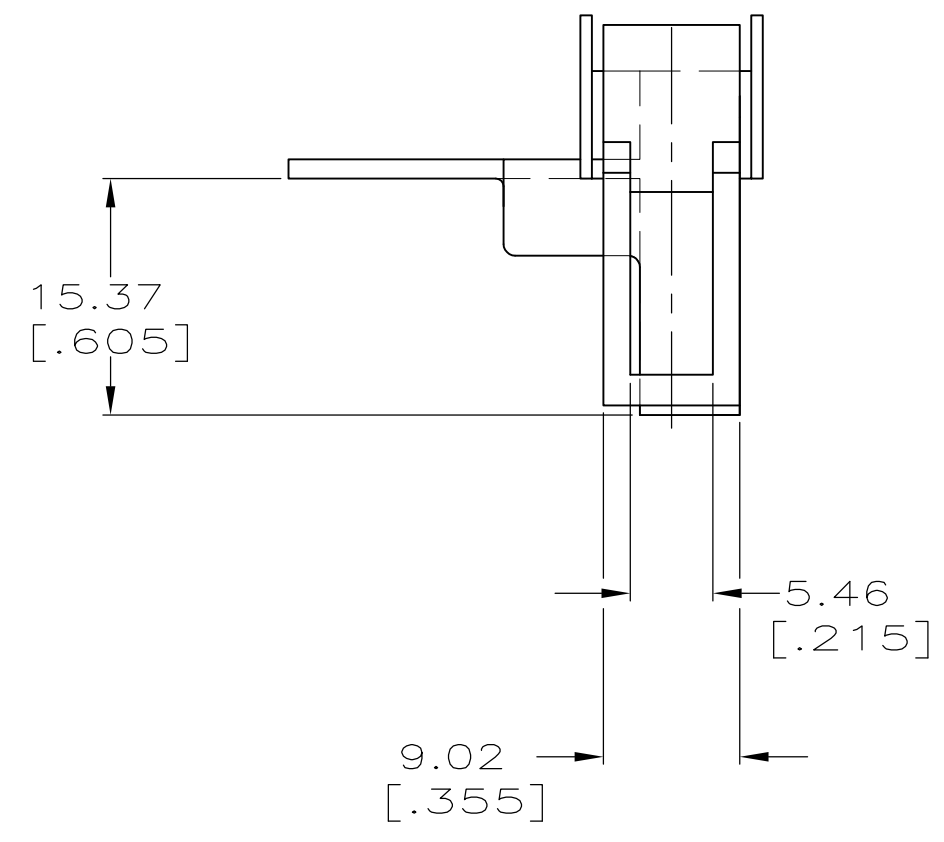
LOC		DIST		REVISIONS			
P	LTR	DESCRIPTION		DATE	DWN	APVD	
AF	50	H2	REVISED PER ECR-15-013097	04SEP2015	NK	DC	



- 1 HOUSING ACCEPTS (9) 3.18 [.125] BLADE RECEPTACLE AMP PART NUMBERS 61603-1 AND 61604-1.
- 2 0.89 [.035] FLASH ALLOWED ON TIP OF EXTERNAL LATCHES.



RECESSED LINE MAY BE VISIBLE,
 1.27 [.050] MAX WIDE AND 0.15 [.006] MAX DEEP,
 APPROX IN THIS POSITION



OBSOLETE	NYLON, V-0	BLACK	-521165-3-
OBSOLETE	NYLON 6/6	NATURAL	-521165-2-
	NYLON 6/6	BLACK	521165-1
	MATERIAL	COLOR	PART NO

THIS DRAWING IS A CONTROLLED DOCUMENT.		DWN	24/JUN/98	PHILLIP M. FORTNEY	
DIMENSIONS: mm [INCHES]		CHK	24/JUN/98	JEFF R. RUTH	
TOLERANCES UNLESS OTHERWISE SPECIFIED:		APVD	25JUN98	D. BRATINA	
0 PLC ± -		PRODUCT SPEC		108-1718	
1 PLC ± -		APPLICATION SPEC		114-49003	
2 PLC ± 0.25 [.010]		WEIGHT		-	
3 PLC ± -		CUSTOMER DRAWING		SCALE 2:1	
4 PLC ± -		FINISH		SEE TABLE	
ANGLES ± -		SIZE		A2	
MATERIAL SEE TABLE		CAGE CODE		00779	
FINISH SEE TABLE		DRAWING NO		C=521165	
		RESTRICTED TO		-	
		SHEET		1 OF 1	
		REV		H2	

单击下面可查看定价，库存，交付和生命周期等信息

[>>TE Connectivity\(泰科\)](#)