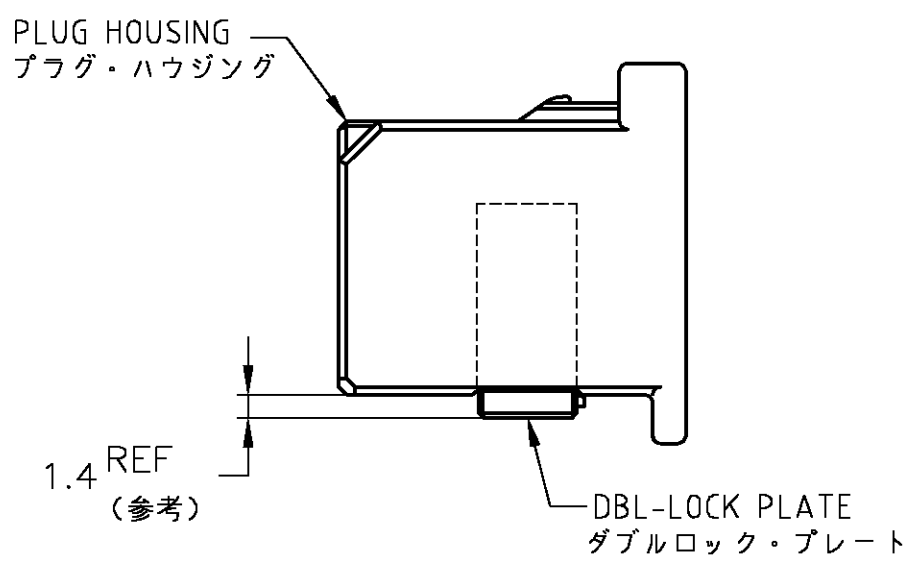
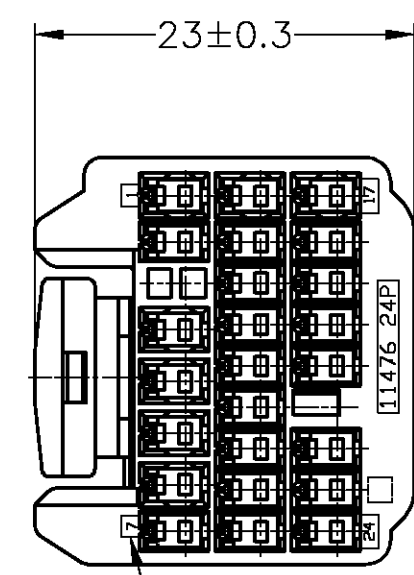
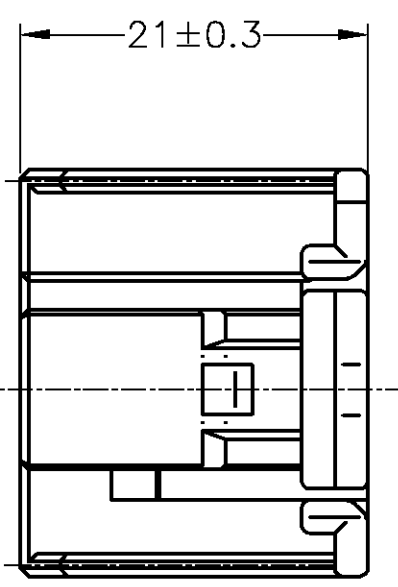
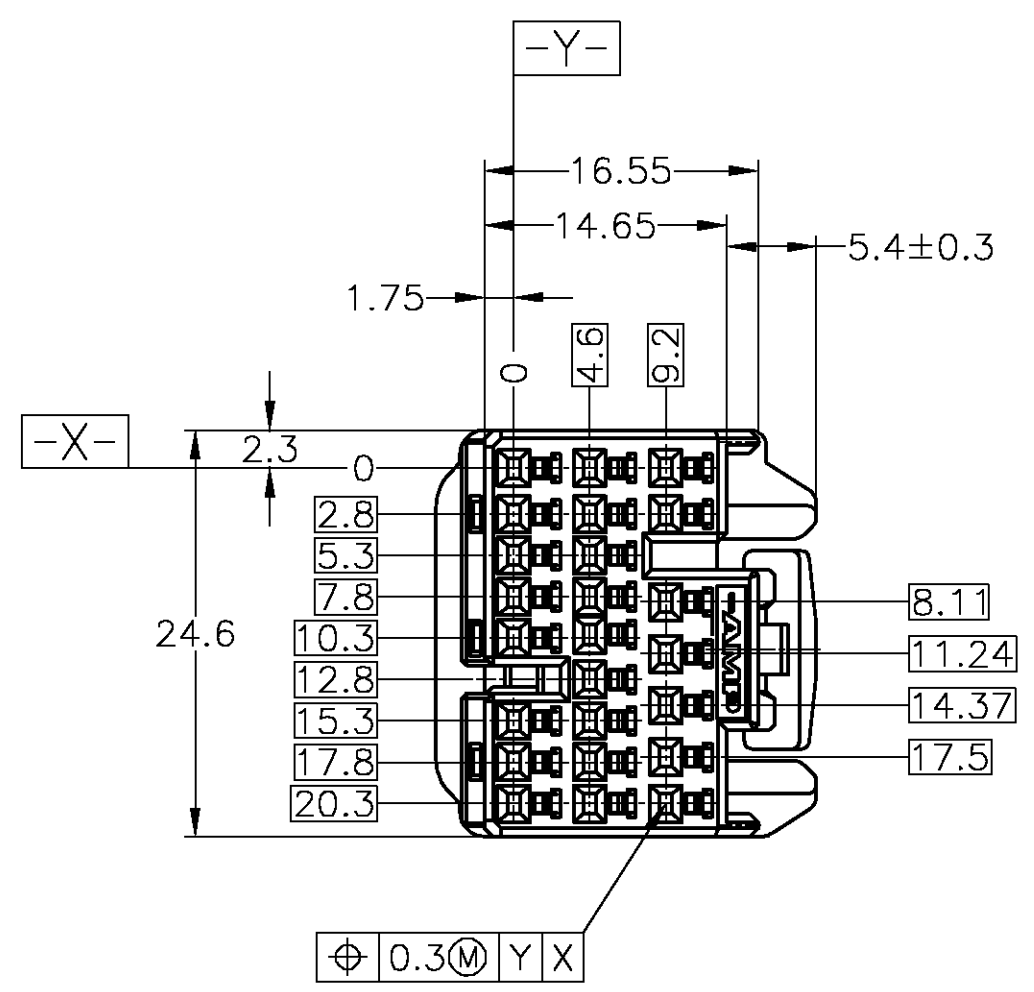


THIS DRAWING IS UNPUBLISHED. RELEASED FOR PUBLICATION
 © COPYRIGHT BY TYCO ELECTRONICS CORPORATION. ALL RIGHTS RESERVED.

LOC	DIST	REVISIONS					
J	-	P	LTR	DESCRIPTION	DATE	DWN	APVD
		B1	REVISED	ECR-06-001254	22MAY06	MS	KB



- PART NUMBER OF CAP HOUSINGS TO BE MATED: 353015, 353016
- DETAILS OF CAVITIES; SEE TABLE-1
- 嵌合相手ハウジング型番; 353015, 353016
- キャビティ構成は、TABLE-1 参照

TABLE-1

CAVITY キャビティ	POSITION 極数	CIRCUIT NUMBER 回路番号	APPLIED CONTACT PART NUMBER 適用端子型番	APPLICABLE WIRE RANGE 適用電線
	17	2,7 9~16 18~24	316836, 316837	AVSS/CAVS 0.3~0.5mm ² CAVUS 0.3~0.5mm ²
	7	1, 3~6, 8,17	316836, 316837 316838	AVS 0.5mm ² AVSS/CAVS 0.85~1.25mm ² CAVUS 1.25mm ²

SEE DRAWING 353029-3	353029-3
BLACK (黒)	353029-2
NATURAL (自然色)	353029-1
COLOR (色)	PART NUMBER (型番)

THIS DRAWING IS A CONTROLLED DOCUMENT.		DWN M.SUGAWARA 22MAY06	Tyco Electronics AMP K.K. Kawasaki, Japan	
DIMENSIONS: 単位: 耗 mm		CHK T.SHINOHARA 22MAY06		
TOLERANCES UNLESS OTHERWISE SPECIFIED: 一般公差		APVD K.BETSUI 22MAY06	NAME 名称	
0 PLC ±- 1 PLC ±- 2 PLC ±- 3 PLC ±- 4 PLC ±- ANGLES ±-		PRODUCT SPEC 製品規格 108-5529	040 III HIGH DENSITY CONNECTOR 24POSITION PLUG HOUSING ASSY	
MATERIAL 材料 PBT		FINISH 仕上 -	APPLICATION SPEC 取付適用規格 114-5217	RESTRICTED TO
TOLERANCES UNLESS OTHERWISE SPECIFIED: 一般公差		WEIGHT 5.41g	SIZE A3	CAGE CODE 00779
10± : ±0.2 30± >10 : ±0.25 100± >30 : ±0.3 ANGLE : ±3°		DRAWING NO 番号 C-353029		SCALE 尺度 2:1
		CUSTOMER DRAWING		SHEET 1 OF 1
				REV B1

单击下面可查看定价，库存，交付和生命周期等信息

[>>TE Connectivity\(泰科\)](#)