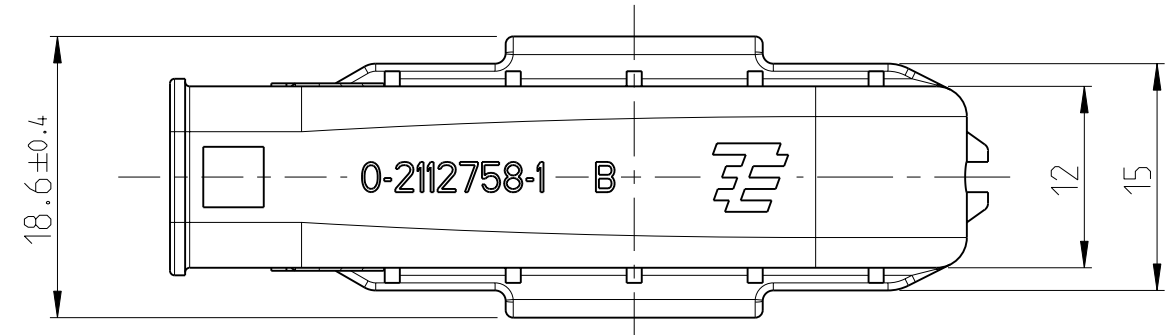
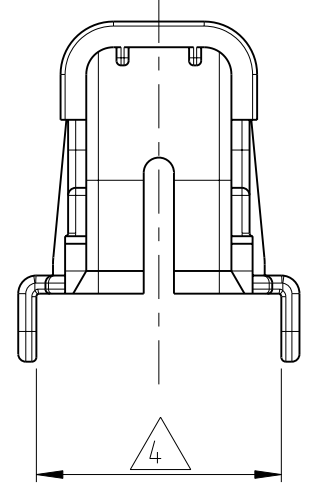
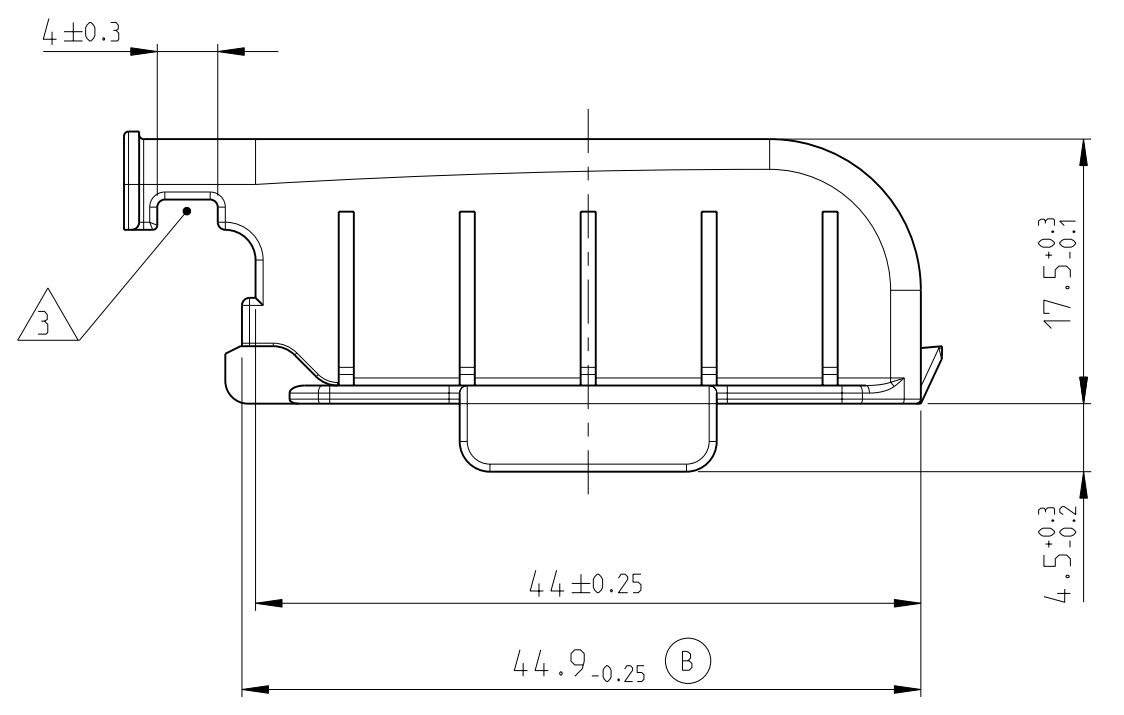
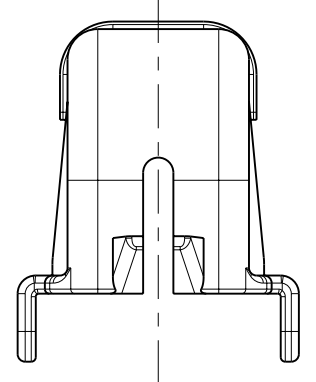
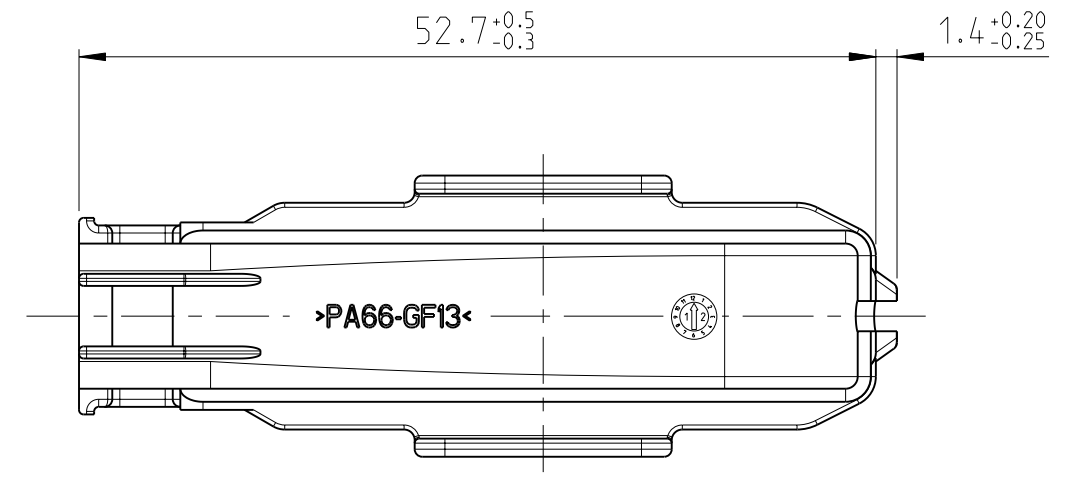


THIS DRAWING IS UNPUBLISHED
 RELEASED FOR PUBLICATION 2010
 © COPYRIGHT 2010 Tyco Electronics AMP GmbH ALL RIGHTS RESERVED.

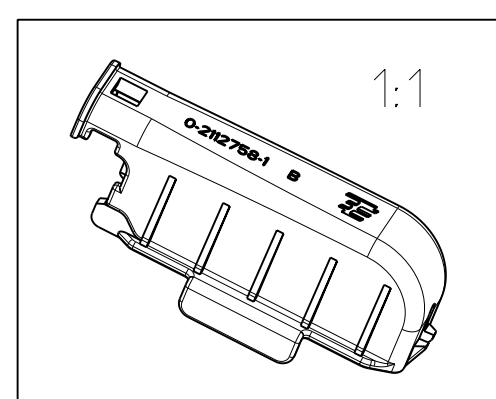
LOC	DIST	REVISIONS				
P	LTR	DESCRIPTION	DATE	DWN	APVD	
A	-	B	CLEARANCE FROM COVER OPTIMIZED	19MAR2012	RM	PNI



NOTES:
Bemerkungen:

- 1 PACKAGING: LOOSE PIECE INTO CARTON
Verpackung: Schueffgut in Karton
- 2 SUITABLE FOR: SEE TE DRAWING NO 2112780
Passend zu: Siehe TE Zeichnungs Nr. 2112780
- 3 RECOMMENDED CABLE TIES: 4-160968-X / 4-160971-X
Empfohlene Kabelbinder: 4-160968-X / 4-160971-X
- 4 WARPAGE MAX. 0.5mm PERMITTED (TO MINUS-DIRECTION)
Verzug max. 0.5mm zulässig (in Minus-Richtung)

0-2112758-1	B	COVER	PA66-GF13	BLACK	1
TE PART NO.	REV.	DESCRIPTION	MATERIAL	COLOUR	QTY



THIS DRAWING IS A CONTROLLED DOCUMENT.

DIMENSIONS:	TOLERANCES UNLESS OTHERWISE SPECIFIED:
mm	Allgemeintoleranzen
	DIN/ISO 16907-140 CENTER/mittig
	0-PLC ±
	1-PLC ±
	2-PLC ±
	3-PLC ±
	4-PLC ±
ANGLES	±°
FINISH	

DWN P. Nickelfeld 05MAR2010	STE TE Connectivity			
CHK J. Ryll 09APR2010				
APVD D. Duenkel 09APR2010	NAME COVER Kappe			
PRODUCT SPEC 108-94094	SIZE A2	CAGE CODE 00779	DRAWING NO C-2112758	RESTRICTED TO -
APPLICATION SPEC 114-18853	SCALE 5:1 SHEET 1 OF 1 REV B			
WEIGHT -	CUSTOMER DRAWING			

单击下面可查看定价，库存，交付和生命周期等信息

[>>TE Connectivity\(泰科\)](#)