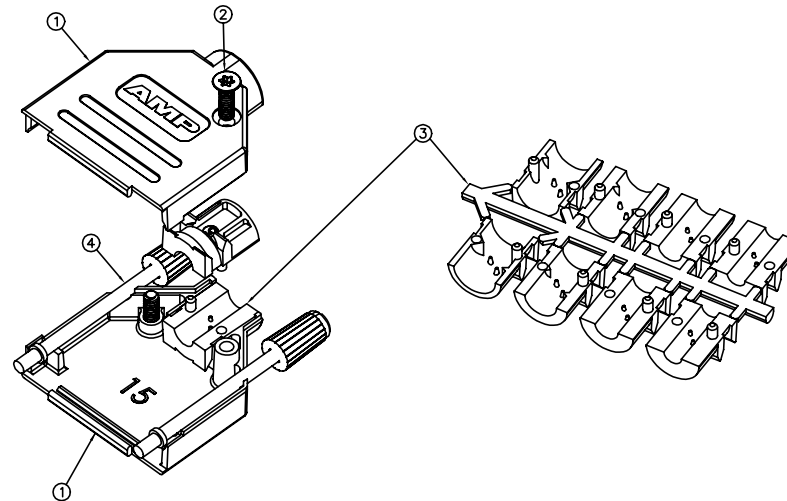
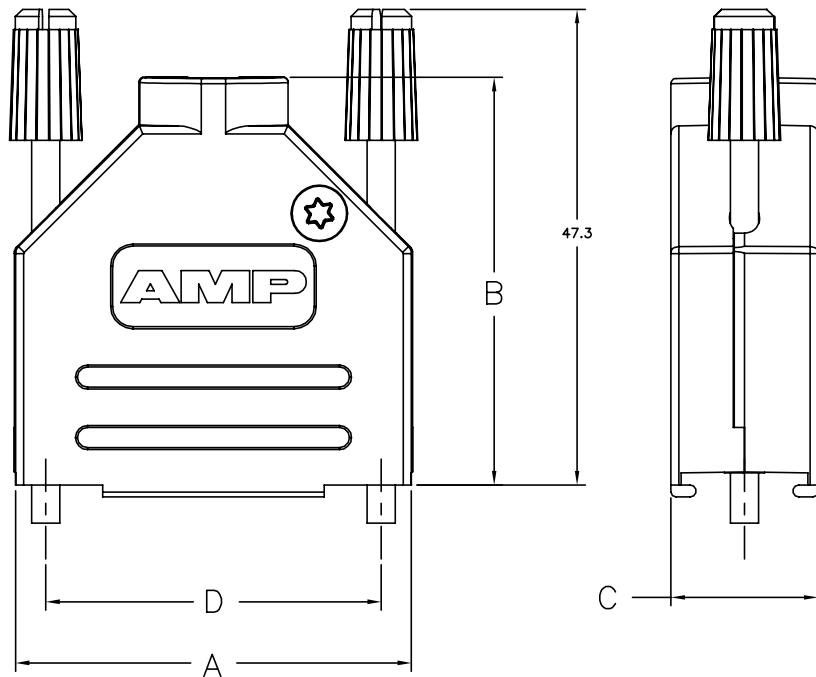


REVISIONS					
P	LTR	DESCRIPTION	DATE	DWN	APVD
N		REVISED PER ECN-21-102828	09MAY2012	AK	SZ



1. FOR ASSEMBLY DETAILS, REFER TO LEAFLET 2227518-1.
- △ BULK PACKAGED BACKSHELL ASSEMBLIES:
ITEM 1, 200 BACKSHELL HALVES, LOOSE IN BOX. ITEMS 2 THRU 4, 100 TIMES QTY SHOWN IN TABLE IN 1 BAG FOR EACH ITEM. ALL BAGS IN 1 BOX WITH (1) 2227518-1 LEAFLET.
- △ INDIVIDUALLY PACKAGED SHELL ASSEMBLIES:
1 BAG CONTAINS ALL COMPONENTS FOR 1 COMPLETE ASSEMBLY. 100 BAGS PER BOX, (1) 2227518-1 LEAFLET PER BOX.
4. TERMINATES 4.0-13.0 CABLE DIAMETERS.
5. 15 POSITION SHOWN.
- △ TRIVALENT CHROMIUM CHROMATE COATING OVER ZINC PLATING.
7. OPTIONAL CABLE CRIMP KIT AVAILABLE FOR 6.0-9.5 DIAMETER CABLE. SEE 1478764.

△	47.0	14.6	47.3	53.2	POZIDRIV	M3	3	25 WAY	6-1478762-7	
△	33.3	14.6	40.5	39.5	POZIDRIV	M3	2	15 WAY	6-1478762-6	
OBSOLETE	△	25.0	14.6	38.3	31.0	POZIDRIV	M3	1	9 WAY	6-1478762-5
△	63.5	15.0	52.2	69.7	TORX	4-40 UNC	4	37 WAY	5-1478762-4	
△	47.0	14.6	47.3	53.2	TORX	4-40 UNC	3	25 WAY	5-1478762-3	
△	33.3	14.6	40.5	39.5	TORX	4-40 UNC	2	15 WAY	5-1478762-2	
△	25.0	14.6	38.3	31.0	TORX	4-40 UNC	1	9 WAY	5-1478762-1	
△	63.5	15.0	52.2	69.7	TORX	4-40 UNC	4	37 WAY	3-1478762-7	
△	47.0	14.6	47.3	53.2	TORX	4-40 UNC	3	25 WAY	2-1478762-5	
△	33.3	14.6	40.5	39.5	TORX	4-40 UNC	2	15 WAY	1-1478762-5	
△	25.0	14.6	38.3	31.0	TORX	4-40 UNC	1	9 WAY	1478762-9	
PACKAGING	D	C	B	A	SELF TAPPING FIXING SCREW TYPE	JACKSCREW THREAD	SHELL SIZE	POSITION	PART NUMBER	

ITEM	DESCRIPTION	MATERIAL	FINISH	QTY
4	JACKSCREW ASSEMBLY, 4-40	POLYAMIDE, UL94 V2 KNOB CARBON STEEL SHAFT	BLACK △6	2
3	STRAIN RELIEF SET	POLYCARBONATE UL94 V0	BLACK	1
2	SELF TAPPING FIXING SCREW	CARBON STEEL	△6	2
1	BACKSHELL HALF	ZINC	NICKEL	2

THIS DRAWING IS A CONTROLLED DOCUMENT. DIMENSIONING AND TOLERANCING PER ASME Y14.5M-2009

DW: C. VALENTINE 03/AN/2012
CHK: C. ROHDE 03/AN/2012

APVD: C. ROHDE 03/AN/2012

TE Connectivity
ADK SERIES DIE-CAST BACKSHELL, STRAIGHT ENTRY

SIZE: A2 CAGE CODE: 00779 DRAWING NO: 1478762

RESTRICTED TO: N

CUSTOMER DRAWING

SCALE: NTS SHEET: 1 of 1 REV: N

单击下面可查看定价，库存，交付和生命周期等信息

[>>TE Connectivity\(泰科\)](#)